

MOS FET Relays

G3VM-354C/C1/F/F1

Analog-switching MOS FET Relay with DPST-NC (Double-pole, Single-throw, Normally Closed) Contacts General-purpose Series Added

- Switches minute analog signals.
- Switching AC and DC.
- General-purpose series (high ON-resistance) added.

Caution

Refer to "Common Precautions" on page 2.

Application Examples

- Electronic automatic exchange systems
- Security systems
- Datacom (modem) systems
- FA systems
- Measurement devices

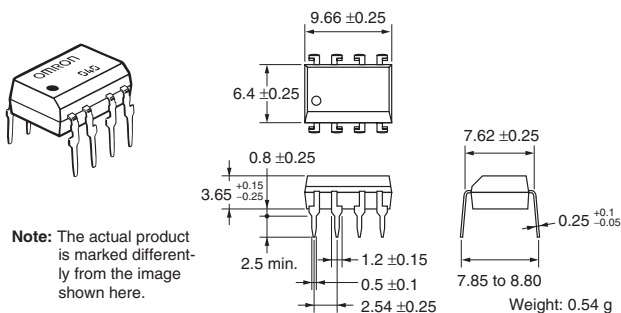
List of Models

Contact form	Terminals	Load voltage (peak value)	Model	Minimum packaging unit	
				Number per stick	Number per tape
DPST-NC	PCB terminals	350 V AC	G3VM-354C	50	---
			G3VM-354C1		
			G3VM-354F		
			G3VM-354F1		
	Surface-mounting terminals		G3VM-354F(TR)	---	1,500
			G3VM-354F1(TR)		

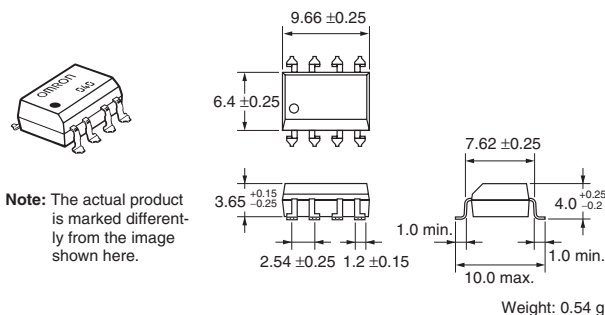
Dimensions

Note: All units are in millimeters unless otherwise indicated.

G3VM-354C/C1

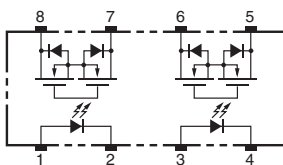


G3VM-354F/F1

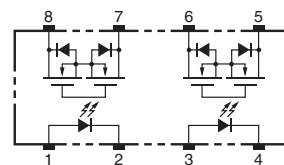


Terminal Arrangement/Internal Connections (Top View)

G3VM-354C/C1

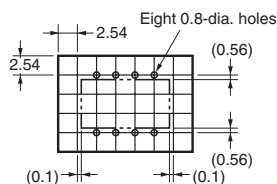


G3VM-354F/F1



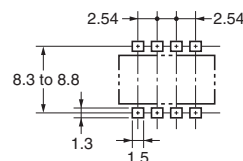
PCB Dimensions (Bottom View)

G3VM-354C/C1



Actual Mounting Pad Dimensions (Recommended Value, Top View)

G3VM-354F/F1



■ Absolute Maximum Ratings (Ta = 25°C)

Item		Symbol	Rating	Unit	Measurement Conditions
Input	LED forward current	I_F	50	mA	
	Repetitive peak LED forward current	I_{FP}	1	A	100 μ s pulses, 100 pps
	LED forward current reduction rate	$\Delta I_F/^\circ\text{C}$	-0.5	mA/°C	Ta \geq 25°C
	LED reverse voltage	V_R	5	V	
	Connection temperature	T_J	125	°C	
Output	Output dielectric strength	V_{OFF}	350	V	
	Continuous load current	I_O	150 (100)	mA	
	ON current reduction rate	$\Delta I_{ON}/^\circ\text{C}$	-1.5 (-1)	mA/°C	Ta \geq 25°C
	Connection temperature	T_J	125	°C	
Dielectric strength between input and output (See note 1.)		V_{I-O}	2,500	Vrms	AC for 1 min
Operating temperature		T_a	-40 to 85	°C	With no icing or condensation
Storage temperature		T_{stg}	-55 to 125	°C	With no icing or condensation
Soldering temperature (10 s)		---	260	°C	10 s

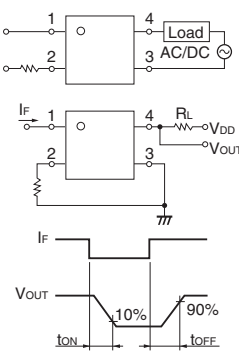
Note 1. The dielectric strength between the input and output was checked by applying voltage between all pins as a group on the LED side and all pins as a group on the light-receiving side.

Values inside parentheses () are for G3VM-354C1/F1.

■ Electrical Characteristics (Ta = 25°C)

Item		Symbol	Minimum	Typical	Maximum	Unit	Measurement conditions
Input	LED forward voltage	V_F	1.0	1.15	1.3	V	$I_F = 10$ mA
	Reverse current	I_R	---	---	10	μ A	$V_R = 5$ V
	Capacity between terminals	C_T	---	30	---	pF	V = 0, f = 1 MHz
	Trigger LED forward current	I_{FT}	---	1	3	mA	$I_{OFF} = 10$ μ A
Output	Maximum resistance with output ON	R_{ON}	---	15 (30)	25 (50)	Ω	$I_O = 150$ mA
	Current leakage when the relay is open	I_{LEAK}	---	---	1.0	μ A	$I_F = 5$ mA, $V_{OFF} = 350$ V
Capacity between I/O terminals		C_{I-O}	---	0.8	---	pF	f = 1 MHz, $V_s = 0$ V
Insulation resistance		R_{I-O}	1,000	---	---	M Ω	$V_{I-O} = 500$ V DC, $R_{OH} \leq 60\%$
Turn-ON time		tON	---	0.1 (0.25)	1.0 (0.5)	ms	$I_F = 5$ mA, $R_L = 200$ Ω , $V_{DD} = 20$ V (See note 2.)
Turn-OFF time		tOFF	---	1.0 (0.5)	3.0 (1)	ms	

Note 2. Turn-ON and Turn-OFF Times



Values inside parentheses () are for G3VM-354C1/F1.

■ Recommended Operating Conditions

Use the G3VM under the following conditions so that the Relay will operate properly.

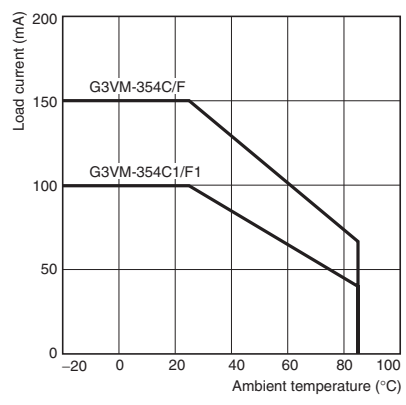
Item	Symbol	Minimum	Typical	Maximum	Unit
Output dielectric strength	V_{DD}	---	---	280	V
Operating LED forward current	I_F	5	---	25	mA
Continuous load current	I_O	---	---	150 (100)	mA
Operating temperature	T_a	-20	---	65	°C

Values inside parentheses () are for G3VM-354C1/F1.

■ Engineering Data

Load Current vs. Ambient Temperature

G3VM-354C/F
G3VM-354C1/F1



■ Safety Precautions

Refer to page 2 for precautions common to all G3VM models.