

Cycle Control Units

G32A-EA

CSM_G32A-EA_DS_E_5_1

Refer to *Safety Precautions for All Power Controllers*.

Used in Combination with the G3PA to Enable High-precision Temperature Control

- Use cycle control to achieve power control with little noise.
- Used in combination with the G3PA to connect to single- and three-phase loads.
- Three types of input method available: Internal adjuster, external adjuster, or DC signals from 4 to 20 mA.
- Streamline design. Both DIN track mounting and screw mounting possible.
- Use linking terminals for close mounting of the G3PA.
- Built-in isolation transformer.
- Power supply range: 100 to 240 V.



Model Number Structure

■ Model Number Legend

G32A-EA-US

1 2 3

1. Basic Model Type

G32A: Accessory for G3PA

2. Basic Model Name

EA: Cycle Control Unit

3. Certification

US: Certified by UL and CSA

Ordering Information

■ List of Models

Name	Isolation transformer	Rated power supply voltage	Model
Cycle Control Unit	Yes	100 to 240 VAC	G32A-EA-US

■ Accessories (Order Separately)

External Variable Resistor

Model
G32A-E-VR

Specifications

■ Ratings (at an Ambient Temperature of 25°C)

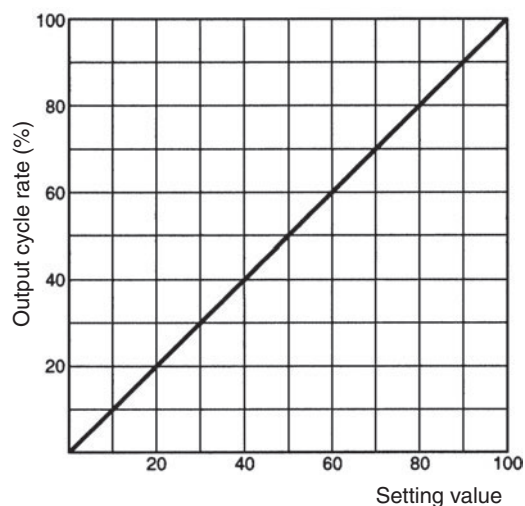
Rated power supply current	50 Hz	100 (200) VAC	40 mA max.
		120 (240) VAC	
	60 Hz	100 (200) VAC	
		120 (240) VAC	
Output signal	20 mA max. at 12 VDC \pm 15% (at 25°C)		
Input signal	Current signal: 4 to 20 mA (input impedance: 352 Ω) Internal adjuster: 50 k Ω (1/4 W) External adjuster: 50 k Ω (1/4 W)		
Output cycle rate	0 to 100%		
Control cycle	0.2 s		
Number of operable Units	3 G3PA-VD Relays max.		

■ Characteristics

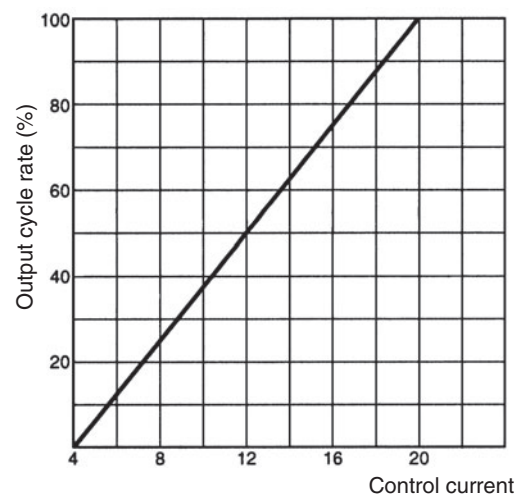
Power supply voltage range	75 to 264 VAC
Dielectric strength	1,500 VAC, 50/60 Hz for 1 minute (between AC power supply and input/output terminals)
Vibration resistance	10 to 55 to 10 Hz, 0.375-mm single amplitude (when mounted to DIN track)
Shock resistance	300 m/s ² (approx. 30 G)
Storage temperature	-30 to 100°C (with no icing or condensation)
Ambient temperature	-30 to 80°C (with no icing or condensation)
Ambient humidity	45% to 85%
Weight	Approx. 100 g

Engineering Data

Output Cycle Rate vs. Setting Value

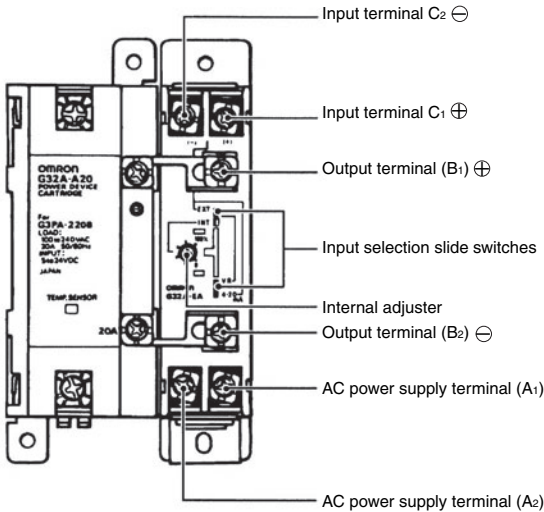


Output Cycle Rate vs. Control Current



Nomenclature

The following diagram shows the terminals, adjusters, and switches on the G32A-EA.



Control method	Input selection slide switches
External adjuster	
Internal adjuster (See note 2.)	
Control current	

- Note:**
1. The input selection slide switches are factory-set to internal adjuster input. Change the setting of the switches for the input method required.
 2. When using the internal adjuster, use with the input terminals (C₁, C₂) in the open state. Internal setting is not possible if there is a Temperature Controller or other device connected to C₁ or C₂.

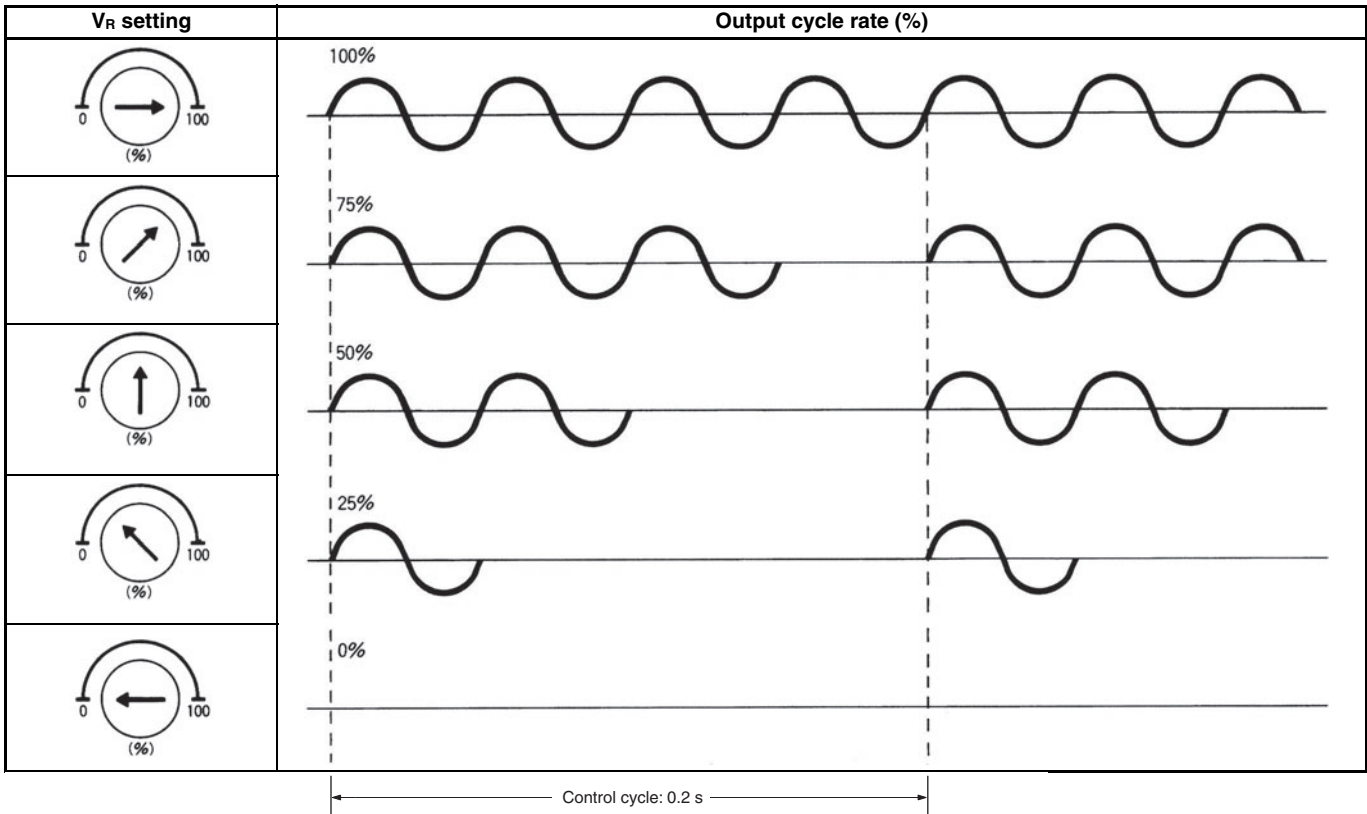
Setting the Input Method

Select external adjuster, internal adjuster, or control current as the input method using the selection switches as shown in the following table.

■ Cycle Control Setting Method

The output cycle rate can be adjusted using the internal or external adjuster.
For current control, refer to the Output Cycle Rate vs. Control Current graph on page 2.

Note: When using the internal adjuster or external adjuster, it is necessary to set the input control method in the way described previously.

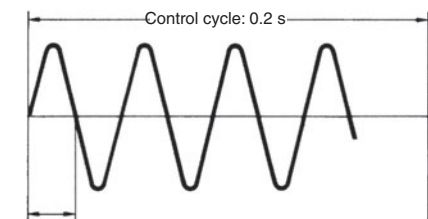


Note: The resistance is 5 kΩ at 100% and 0 Ω at 0%.

■ Output Power Resolution

When power is controlled using the Cycle Control Unit, the output resolution (minimum variation value) depends on the half cycle of the power supply frequency and the time depends on the power supply frequency. (SSR with zero cross function)

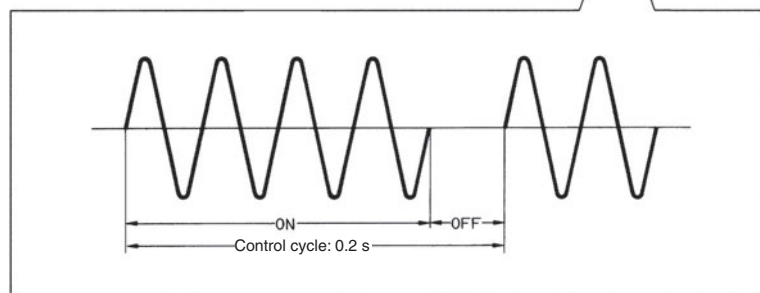
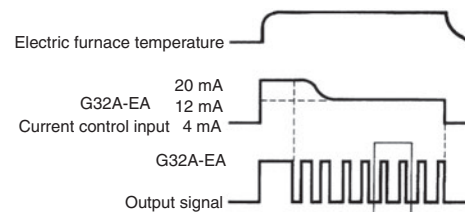
Control cycle	Output power resolution	
	50 Hz	60 Hz
0.2 s	5% (10 ms)	4.2% (8.3 ms)



50 Hz: 5% (10 ms)
60 Hz: 4.2% (8.3 ms)

■ Cycle Control Method

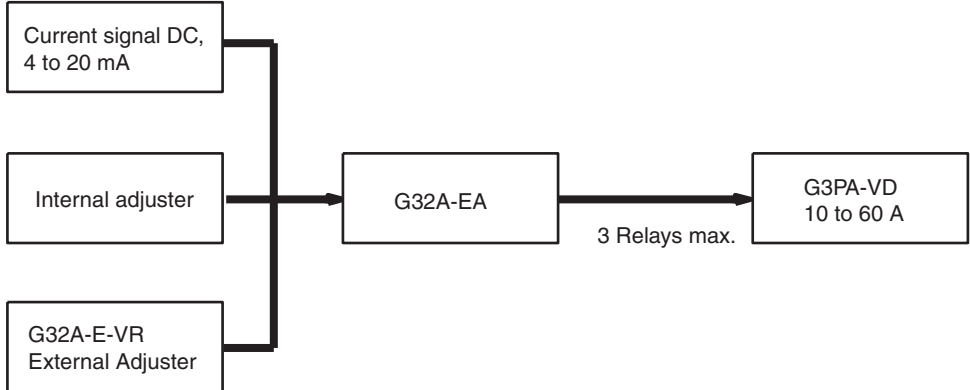
The power on the load side can be controlled by adjusting the number of cycles within the control cycle of 0.2 s and repeating this control cycle.



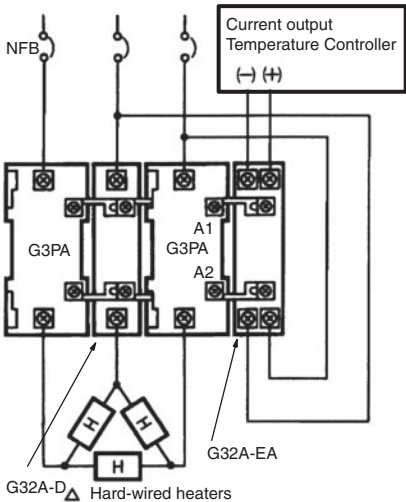
Operation

Application Examples

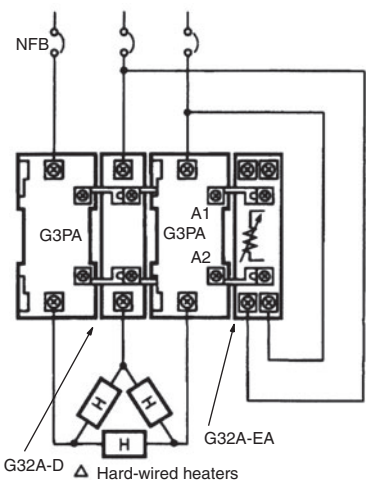
High-precision temperature control can be achieved in combination with the G3PA.



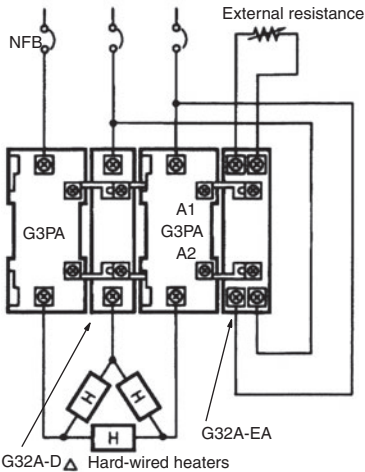
1. Control Using Current Input



3. Control Using Internal Adjuster



2. Control Using External Adjuster



Applications 1, 2, and 3 each use a different type of input method and so it is necessary to change the settings of the input selection slide switches. Be sure to change the slide switch settings in accordance with the input method on page 3.

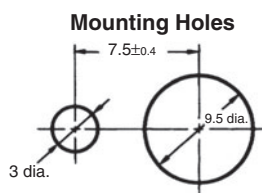
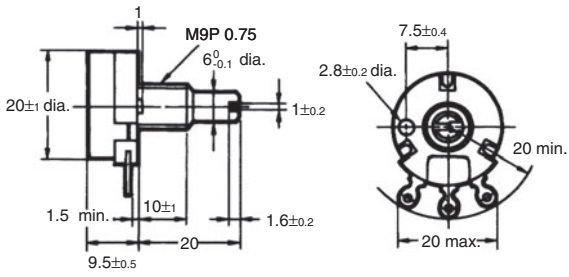
- Note:**
- 1. For details of input selection slide switch settings, refer to *Setting the Input Method*.
 - 2. The above examples are for when a G3PA-VD (except 60-A models) is used at 200 VAC.
 - 3. When performing ON/OFF control for example 2 or 3, do not connect output terminals B1 and B2 on the G32A-EA to input terminals A1 and A2 of the SSR as linking terminals. Rather, connect contacts between these terminals for switching. The current flow is 20 mA max. at 12 VDC.

External Adjuster

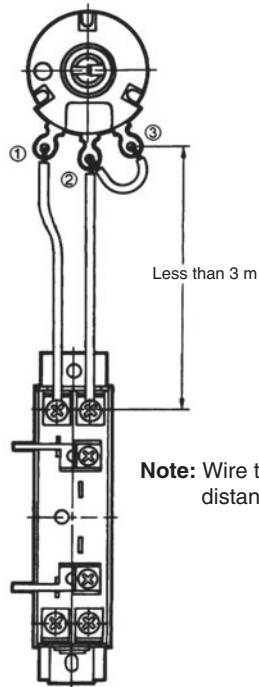
G32A-E-VR

The external adjuster, its adjuster knob, and its nameplate, all come in a set (G32A-E-VR).

External Adjuster (50 kΩ, B Characteristic)

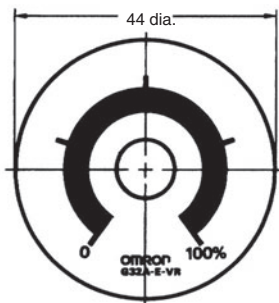


When wiring, connect in the way shown below.



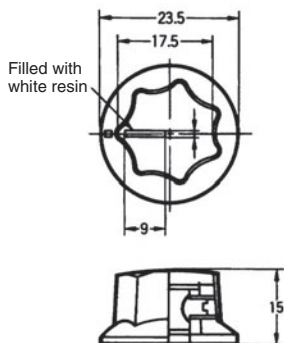
Note: Wire the external adjuster at a distance of less than 3 m.

Nameplate



Note: When using the external adjuster for input, be sure to set the input selection slide switches accordingly.

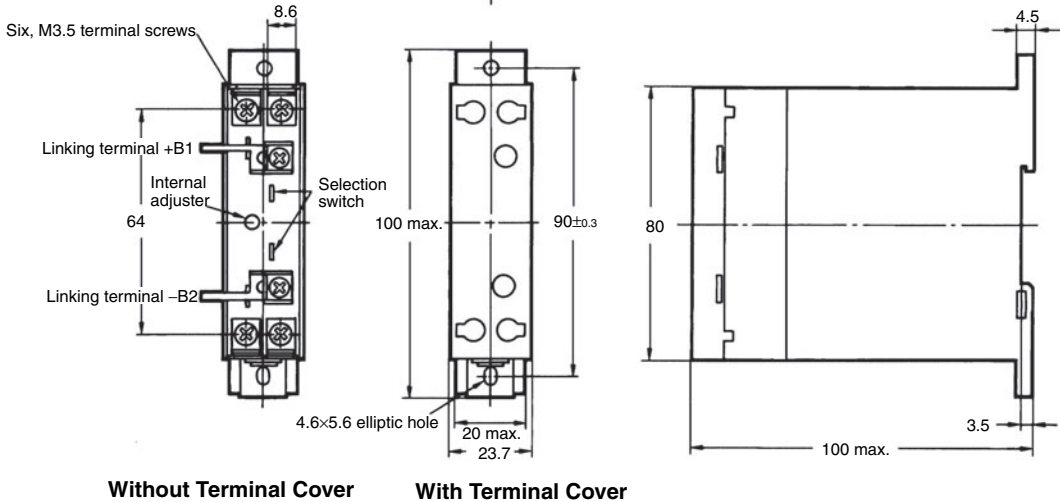
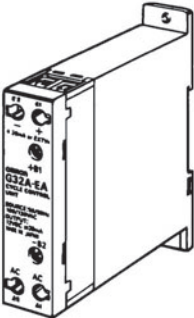
Knob



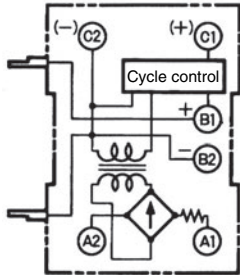
Dimensions

Note: All units are in millimeters unless otherwise indicated.

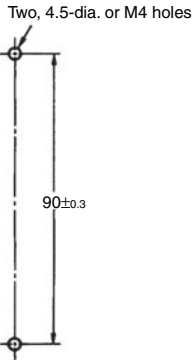
G32A-EA-US



Terminal Arrangement/ Internal Connection



Mounting Holes



Safety Precautions

Refer to *Safety Precautions for All Power Controllers*.

ALL DIMENSIONS SHOWN ARE IN MILLIMETERS.
 To convert millimeters into inches, multiply by 0.03937. To convert grams into ounces, multiply by 0.03527.

In the interest of product improvement, specifications are subject to change without notice.

Read and Understand This Catalog

Please read and understand this catalog before purchasing the products. Please consult your OMRON representative if you have any questions or comments.

Warranty and Limitations of Liability

WARRANTY

OMRON's exclusive warranty is that the products are free from defects in materials and workmanship for a period of one year (or other period if specified) from date of sale by OMRON.

OMRON MAKES NO WARRANTY OR REPRESENTATION, EXPRESS OR IMPLIED, REGARDING NON-INFRINGEMENT, MERCHANTABILITY, OR FITNESS FOR PARTICULAR PURPOSE OF THE PRODUCTS. ANY BUYER OR USER ACKNOWLEDGES THAT THE BUYER OR USER ALONE HAS DETERMINED THAT THE PRODUCTS WILL SUITABLY MEET THE REQUIREMENTS OF THEIR INTENDED USE. OMRON DISCLAIMS ALL OTHER WARRANTIES, EXPRESS OR IMPLIED.

LIMITATIONS OF LIABILITY

OMRON SHALL NOT BE RESPONSIBLE FOR SPECIAL, INDIRECT, OR CONSEQUENTIAL DAMAGES, LOSS OF PROFITS OR COMMERCIAL LOSS IN ANY WAY CONNECTED WITH THE PRODUCTS, WHETHER SUCH CLAIM IS BASED ON CONTRACT, WARRANTY, NEGLIGENCE, OR STRICT LIABILITY.

In no event shall the responsibility of OMRON for any act exceed the individual price of the product on which liability is asserted.

IN NO EVENT SHALL OMRON BE RESPONSIBLE FOR WARRANTY, REPAIR, OR OTHER CLAIMS REGARDING THE PRODUCTS UNLESS OMRON'S ANALYSIS CONFIRMS THAT THE PRODUCTS WERE PROPERLY HANDLED, STORED, INSTALLED, AND MAINTAINED AND NOT SUBJECT TO CONTAMINATION, ABUSE, MISUSE, OR INAPPROPRIATE MODIFICATION OR REPAIR.

Application Considerations

SUITABILITY FOR USE

OMRON shall not be responsible for conformity with any standards, codes, or regulations that apply to the combination of products in the customer's application or use of the products.

At the customer's request, OMRON will provide applicable third party certification documents identifying ratings and limitations of use that apply to the products. This information by itself is not sufficient for a complete determination of the suitability of the products in combination with the end product, machine, system, or other application or use.

The following are some examples of applications for which particular attention must be given. This is not intended to be an exhaustive list of all possible uses of the products, nor is it intended to imply that the uses listed may be suitable for the products:

- Outdoor use, uses involving potential chemical contamination or electrical interference, or conditions or uses not described in this catalog.
- Nuclear energy control systems, combustion systems, railroad systems, aviation systems, medical equipment, amusement machines, vehicles, safety equipment, and installations subject to separate industry or government regulations.
- Systems, machines, and equipment that could present a risk to life or property.

Please know and observe all prohibitions of use applicable to the products.

NEVER USE THE PRODUCTS FOR AN APPLICATION INVOLVING SERIOUS RISK TO LIFE OR PROPERTY WITHOUT ENSURING THAT THE SYSTEM AS A WHOLE HAS BEEN DESIGNED TO ADDRESS THE RISKS, AND THAT THE OMRON PRODUCTS ARE PROPERLY RATED AND INSTALLED FOR THE INTENDED USE WITHIN THE OVERALL EQUIPMENT OR SYSTEM.

PROGRAMMABLE PRODUCTS

OMRON shall not be responsible for the user's programming of a programmable product, or any consequence thereof.

Disclaimers

CHANGE IN SPECIFICATIONS

Product specifications and accessories may be changed at any time based on improvements and other reasons.

It is our practice to change model numbers when published ratings or features are changed, or when significant construction changes are made. However, some specifications of the products may be changed without any notice. When in doubt, special model numbers may be assigned to fix or establish key specifications for your application on your request. Please consult with your OMRON representative at any time to confirm actual specifications of purchased products.

DIMENSIONS AND WEIGHTS

Dimensions and weights are nominal and are not to be used for manufacturing purposes, even when tolerances are shown.

PERFORMANCE DATA

Performance data given in this catalog is provided as a guide for the user in determining suitability and does not constitute a warranty. It may represent the result of OMRON's test conditions, and the users must correlate it to actual application requirements. Actual performance is subject to the OMRON Warranty and Limitations of Liability.

ERRORS AND OMISSIONS

The information in this document has been carefully checked and is believed to be accurate; however, no responsibility is assumed for clerical, typographical, or proofreading errors, or omissions.

2009.12

In the interest of product improvement, specifications are subject to change without notice.

OMRON Corporation
Industrial Automation Company

<http://www.ia.omron.com/>

(c)Copyright OMRON Corporation 2009 All Right Reserved.