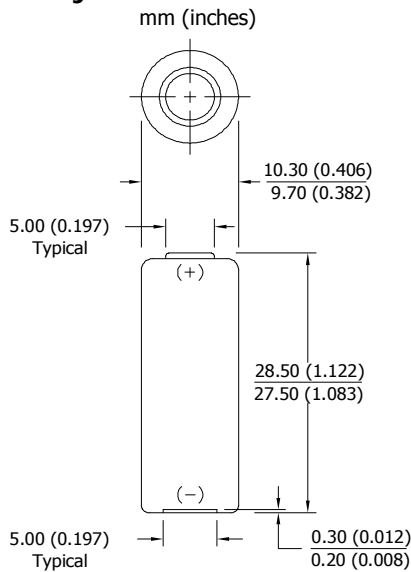


ENERGIZER A23

Miniature Alkaline



Industry Standard Dimensions



Designed for electronic applications which may require high rate pulses.

Specifications

- Classification:** "Miniature Alkaline"
- Chemical System:** Manganese Dioxide (MnO₂)
- Designation:** ANSI-1181A
- Nominal Voltage:** 12.0 volts
- Typical Capacity:** 55 mAh to 6.0 volts (rated at 20k ohms at 21°C)
- Typical Weight:** 8.0 grams (0.3 oz)
- Typical Volume:** 1.1 cubic centimeters (0.07 cubic inch)

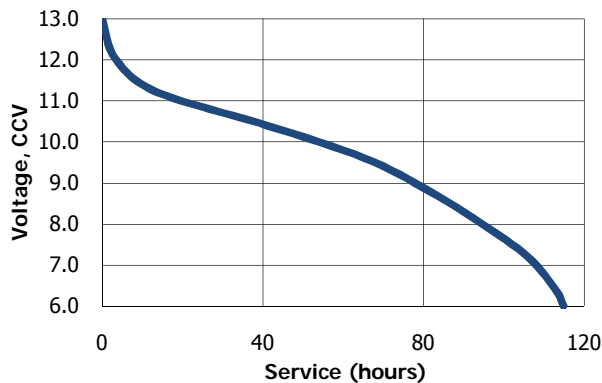
Typical Discharge Durations

21°C (70°F)

Schedule (time)	Drain (mA)	Load (ohms)	Cutoff Voltage		
			8.8V (hours)	7.2V (hours)	6.0V (hours)
Continuous	0.48	20K	81	105	115

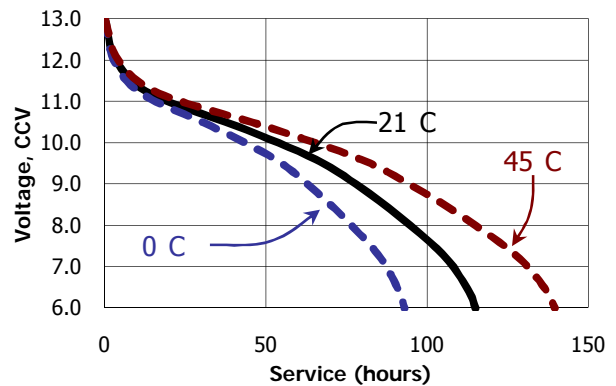
Discharge Characteristics

Schedule: Continuous
Typical Load: 20 KΩ (21°C)



Temperature Characteristics

Schedule: Continuous
Typical Load: 20 KΩ



Important Notice

This datasheet contains typical information specific to products manufactured at the time of its publication.
©Energizer Holdings, Inc. - Contents herein do not constitute a warranty.