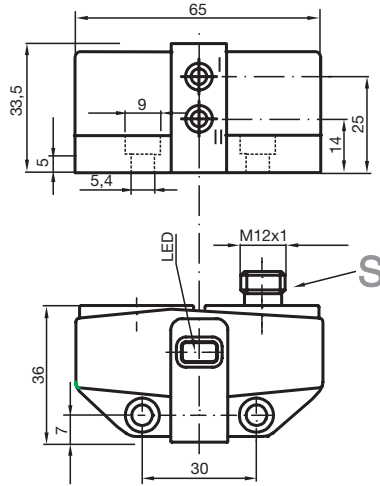
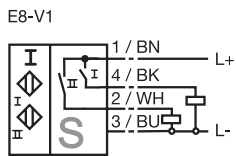


Direct mounting on standard actuators
 Compact and stable housing
 Fixed setting
 Satisfies machinery directive



Switching element function	PNP	Dual Make function
Rated operating distance s_n	3 mm	
Installation	embeddable	
Assured operating distance s_a	0 ... 2,43 mm	
Reduction factor r_{AI}	0,5	
Reduction factor r_{Cu}	0,4	
Reduction factor r_{V2A}	1	
Reduction factor r_{St37}	1,2	
Operating voltage U_B	10 ... 30 V	
Switching frequency f	0 ... 500 Hz	
Hysteresis H	typ. 5 %	
Reverse polarity protection	all connections	
Short circuit protection	pulsing	
Voltage drop U_d	≤ 3 V	
Operating current I_L	0 ... 100 mA	
Off-state current I_r	0 ... 0,5 mA typ.	
No-load supply current I_0	≤ 25 mA	
Operating voltage display	LED, green	
Indication of the switching state	LED, yellow	
EMC in accordance with	EN 60947-5-2	
Standards	EN 60947-5-2	
Ambient temperature	-25 ... 70 °C (248 ... 343 K)	
Connection (system side)	V1-connector	
Housing material	PBT	
Sensing face	PBT	
Protection degree	IP67	

Connection_type:



047570_ENG.xml

2003-03-24