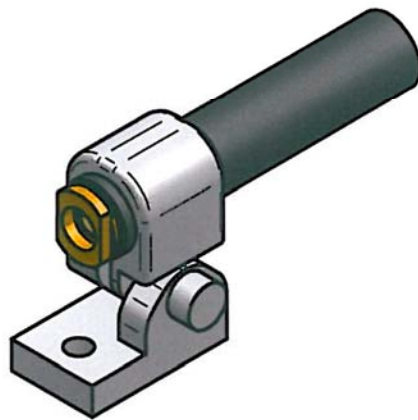
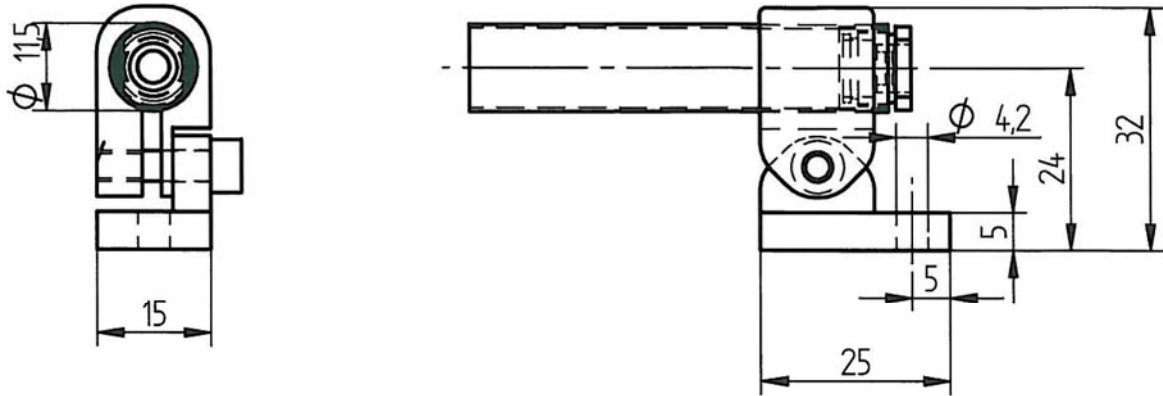


FP-MS-11.5

MOUNT FOR LASER MODULES WITH 11.5 mm DIAMETER



07/10 / V1 / IF /lcm/fp-ms-11-5 .doc



Seite 1