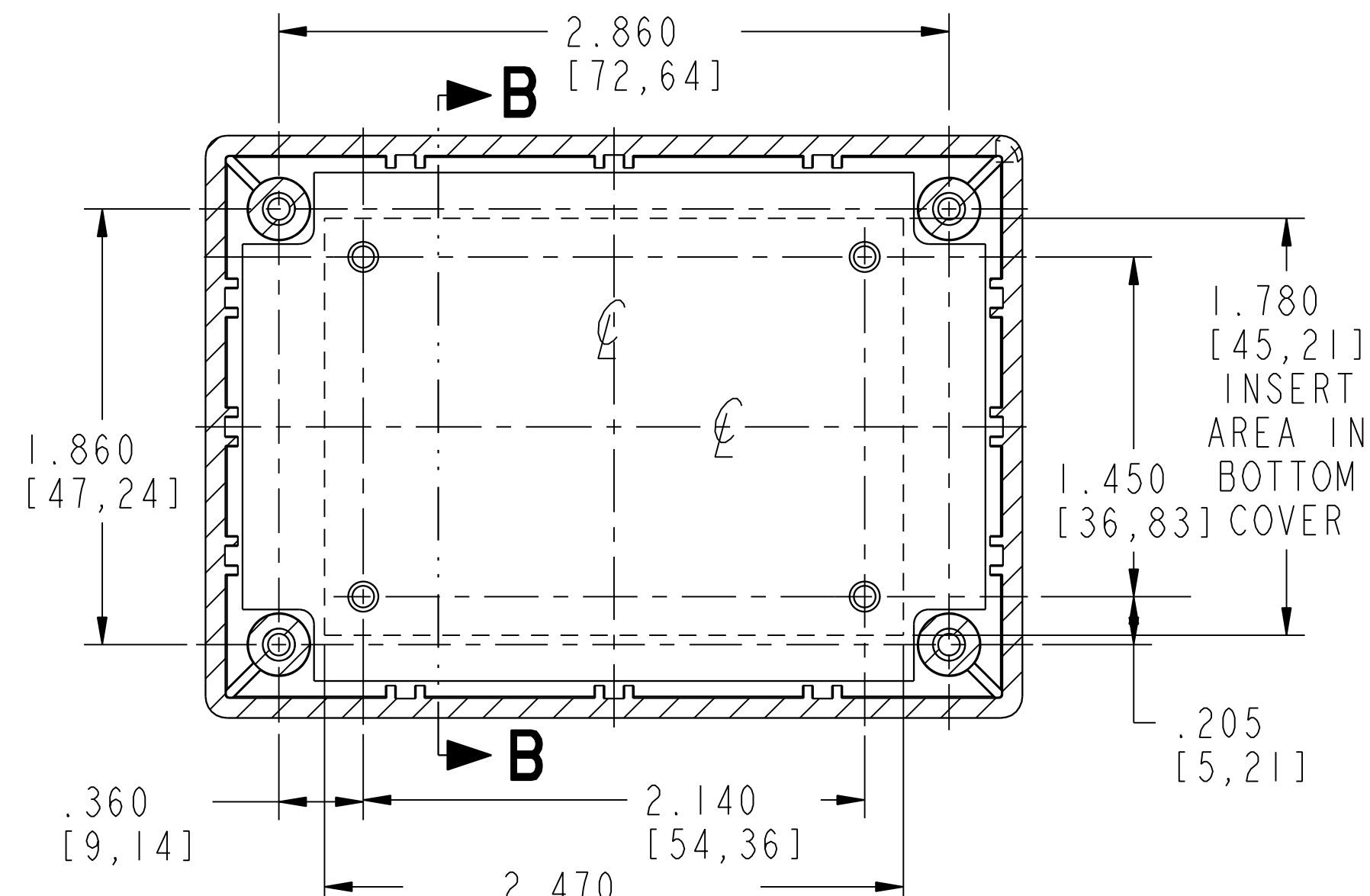
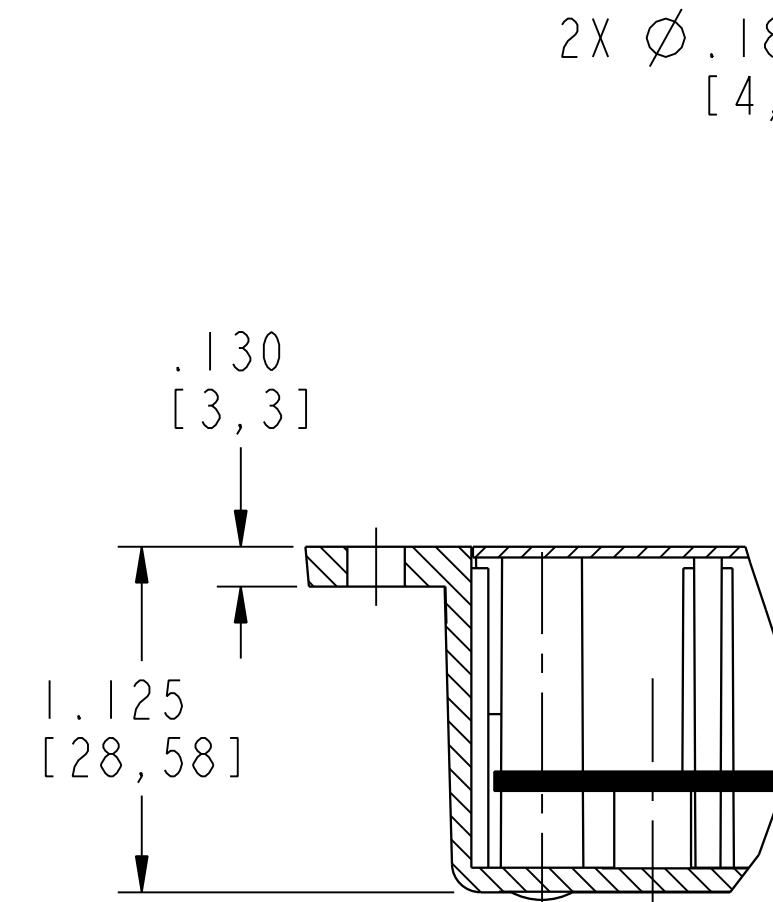


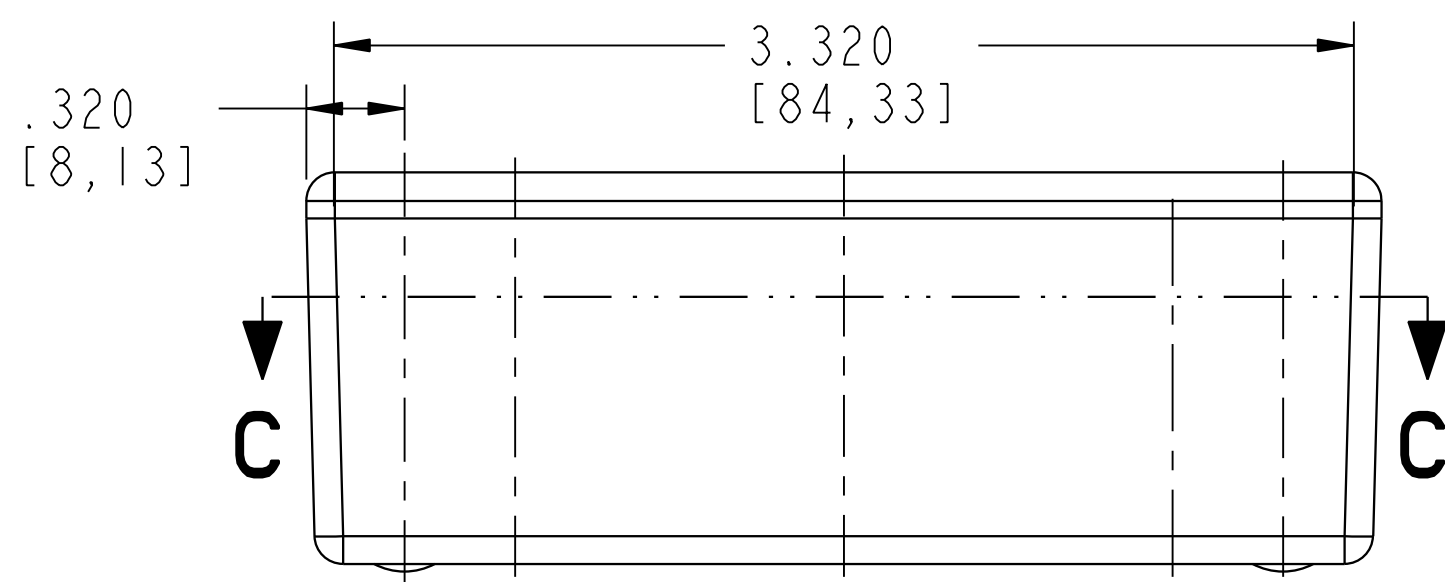
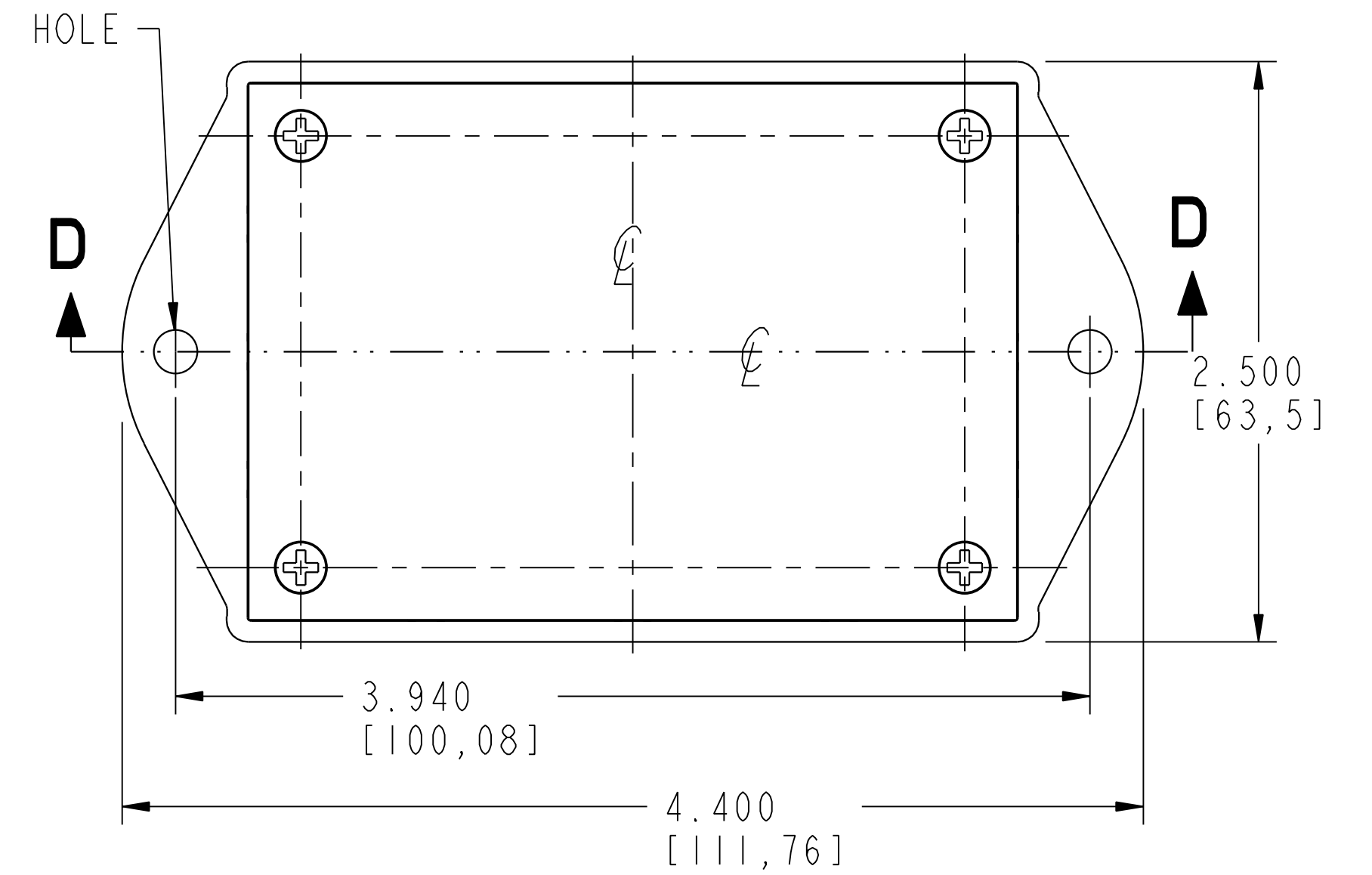
SECTION B-B



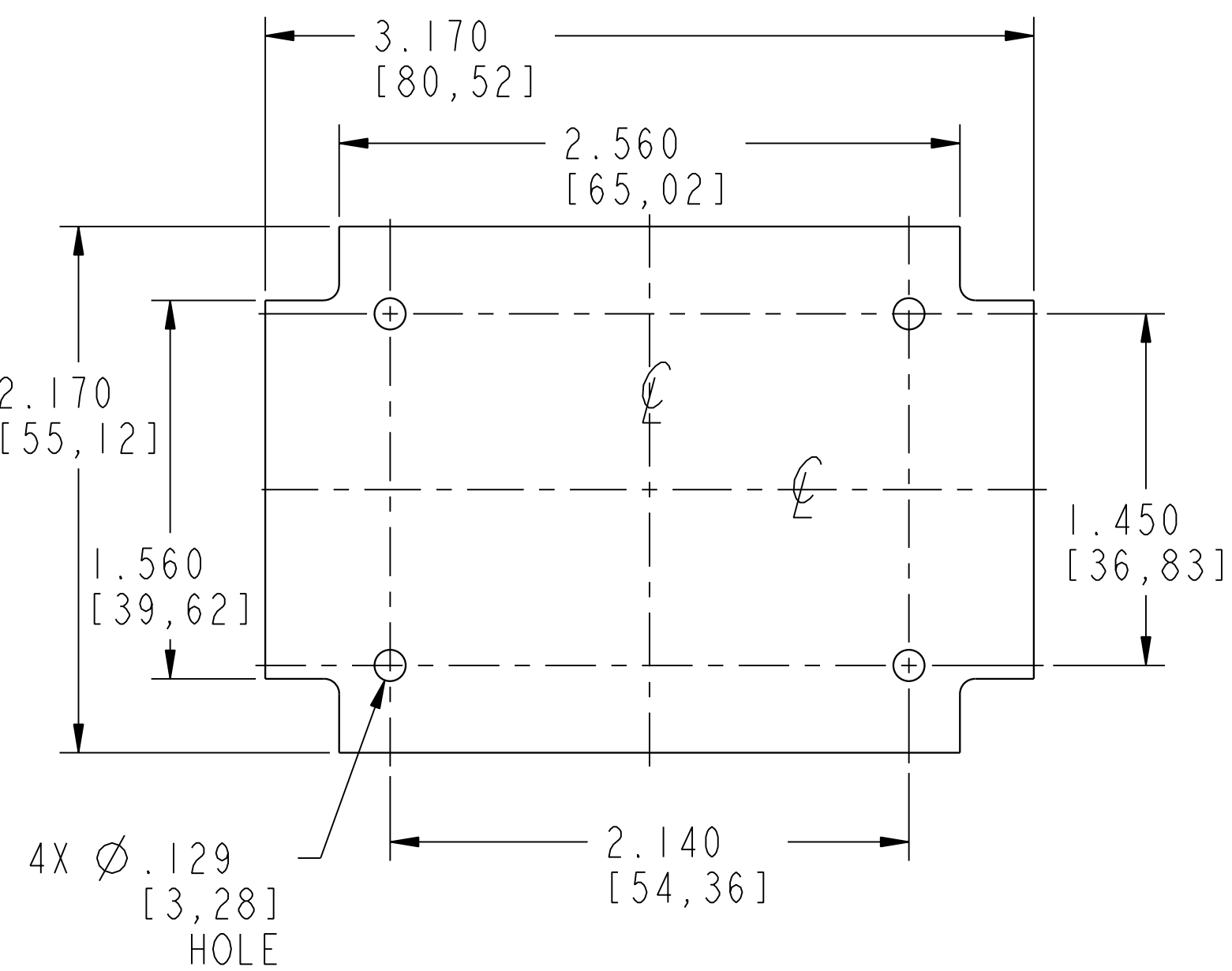
SECTION C-C



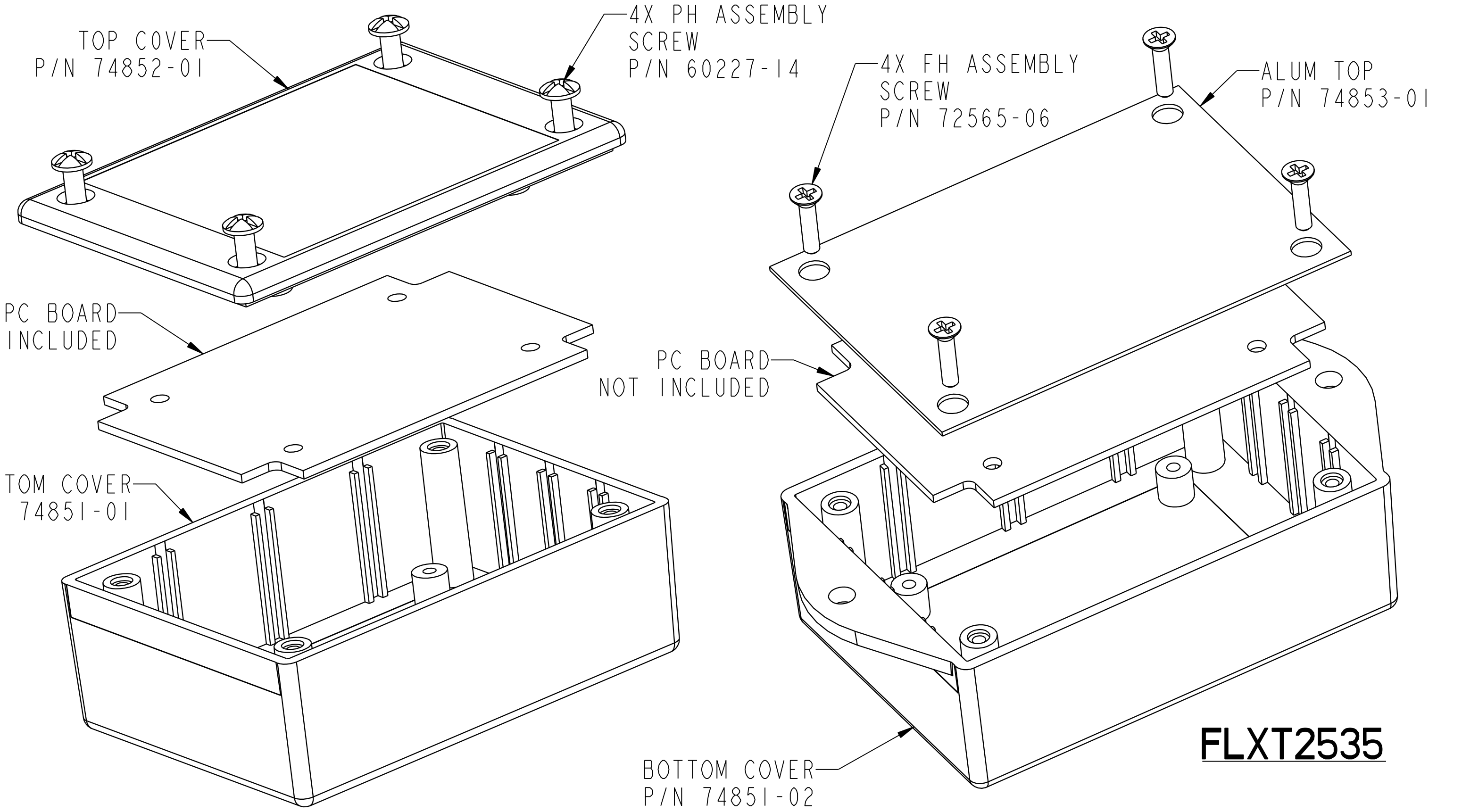
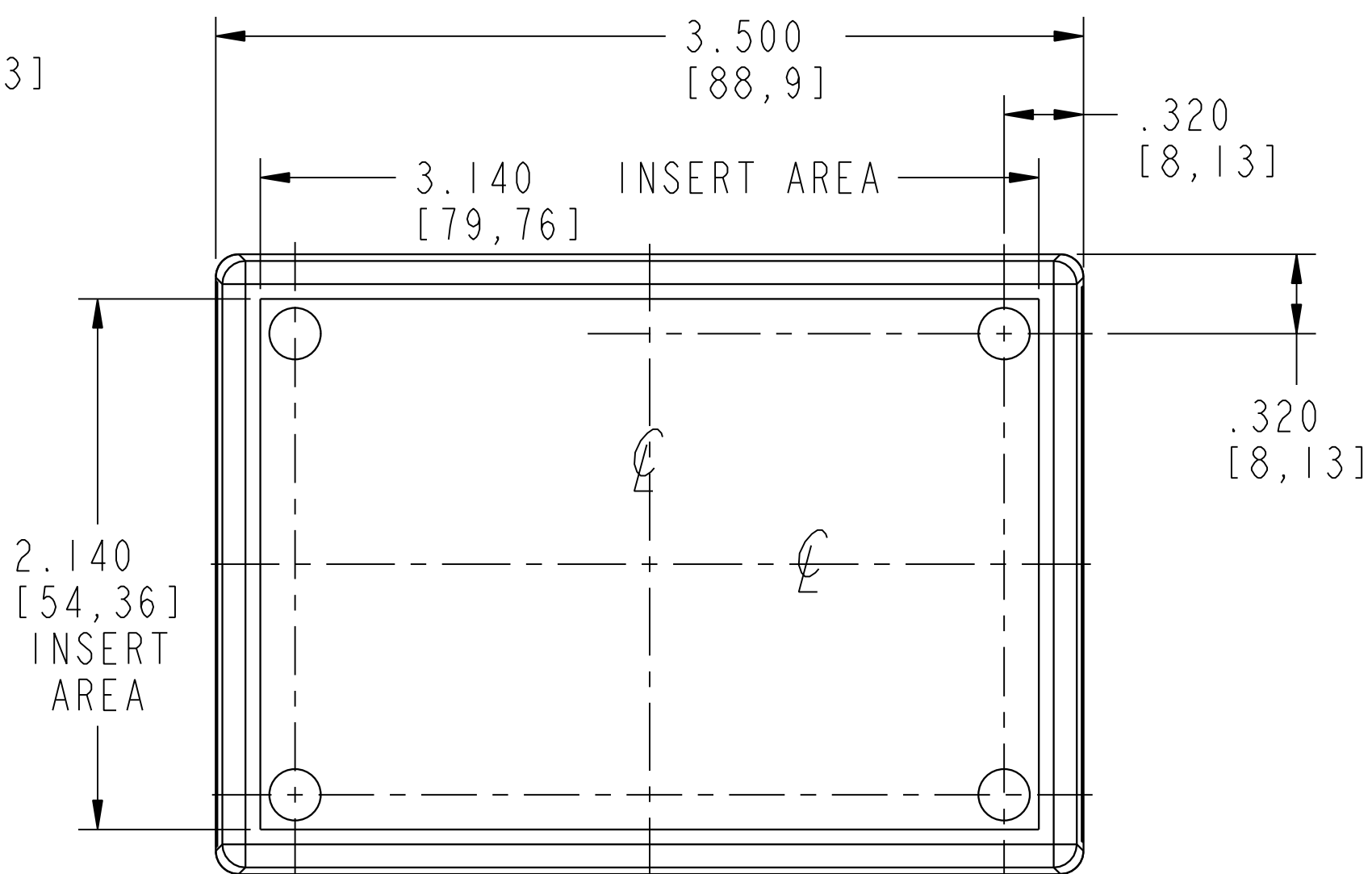
SECTION D-D



SECTION A-A



RECOMMENDED PCB LAYOUT



FLX2535

FLXT2535

PACITEC[®]
1-610-361-4286

FLX2535
FLXT2535

VISIT **PACITEC[®]**
ON THE WORLD WIDE WEB
www.pactecenclosures.com

INSERT AREAS ARE SECTIONS IN OUR TOOLS THAT CAN BE REMOVED AND REPLACED WITH CUSTOMER SPECIFIC DETAILS

DRAWING NUMBER	REV
74978	B