

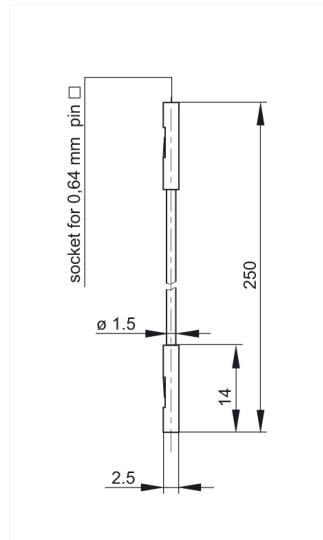
## MKL 0,64/25-0,25 schwarz/black

Industrial Connectors:Measuring and Testing Equipment:Measuring leads:0,64 mm system

### Product description

Description	Measuring lead with two insulated sockets for 0.64 mm round pillar and 0.64 mm rectangular pillar. Highly flexible 0.25 mm two stranded wire with two 0.64 mm diameter sockets.
Type	MKL 0,64/25-0,25 schwarz/black
Order No.	973 604-100
System	0.64 mm system
Cable length	25 cm
Conductor size	0.25 mm <sup>2</sup>
Cable material	PVC
Cable color	black
Housing Color	black
Other standard types	red color, order no. 973 604-101

### Drawing



### Technical data

Pin dimensions	0.64 mm
Type of contact	socket (spring-loaded)
Type of termination	0,64 mm diameter socket
Cable type	LIY
Cable specification	highly flexible lead
Wire stranding	130 mm x 0.05 mm
Rated voltage	DC 60 V
Rated current	3 A
Contact resistance	20 mOhm

### Material

Housing material	PVC
------------------	-----

### Environmental conditions

Temperature range

-40 °C to +60 °C