

FELLER GMBH

A-2525 GUENSELSDORF, AUSTRIA - TEL.: .. 43(2256) 62 32 50 - FAX: .. 43 (2256) 62 32 57
e-mail: sales@feller-at.com <http://www.feller-at.com>

Description: 498G-SVT3x18AWG-C13W/2,00M BLACK

Rating of cord set: 10A/125Vac

1. PLUG: Type 498G

Molded plug according to : NEMA 5-15
Rated current and voltage max.: 15 A, 125 V AC
Plugbase : thermoplastic Polyester (PBTP) GFR
Pins : solid brass, nickel-plated, crimped
Pins dimension : grounding O.D. 4,8 mm
line and neutral 6,20 mm x 1,40 mm
Outer mold : PVC compound, hardness Shore A 75-77
Approvals : UL, CSA

2. CORD: Type SVT3x18AWG

Flexible cord according to : UL62, CSA 22.2 No.49
Marked : *JF*UL*E41542*SVT*3X18AWG*(0.82mm²)*60C*300V*FT2*CSA
Number of cores : 3
Conductor construction : 46 x 0,15 mm O.D. 1,22mm
Conductor insulation : Extruded PVC, O.D. 2,10mm
Jacket : Extruded PVC, O.D. 6,20 mm +/-0,20mm
Temperature rating : -20°C to +60°C
Resistance of conductors : max. 22,37 Ohm/km
Dielectric strength : 1,5kVac, 1min.
Insulation resistance : >0,010MΩ/km
Approvals : UL, CSA

3. CONNECTOR: Type C13W

Molded connector according to : EN/IEC60320/C13, UL817, C22.2No.21
Rated current and voltage : 10 A, 125 V AC (USA, CANADA)
Construction : double insulation, contacts crimped
Contacts of the connection : self-adjusting phosphor bronze CuSn6
Inner insulation : PPO GFR
Outer mold : PVC compound, hardness Shore A 75-77
Approvals : UL, CSA

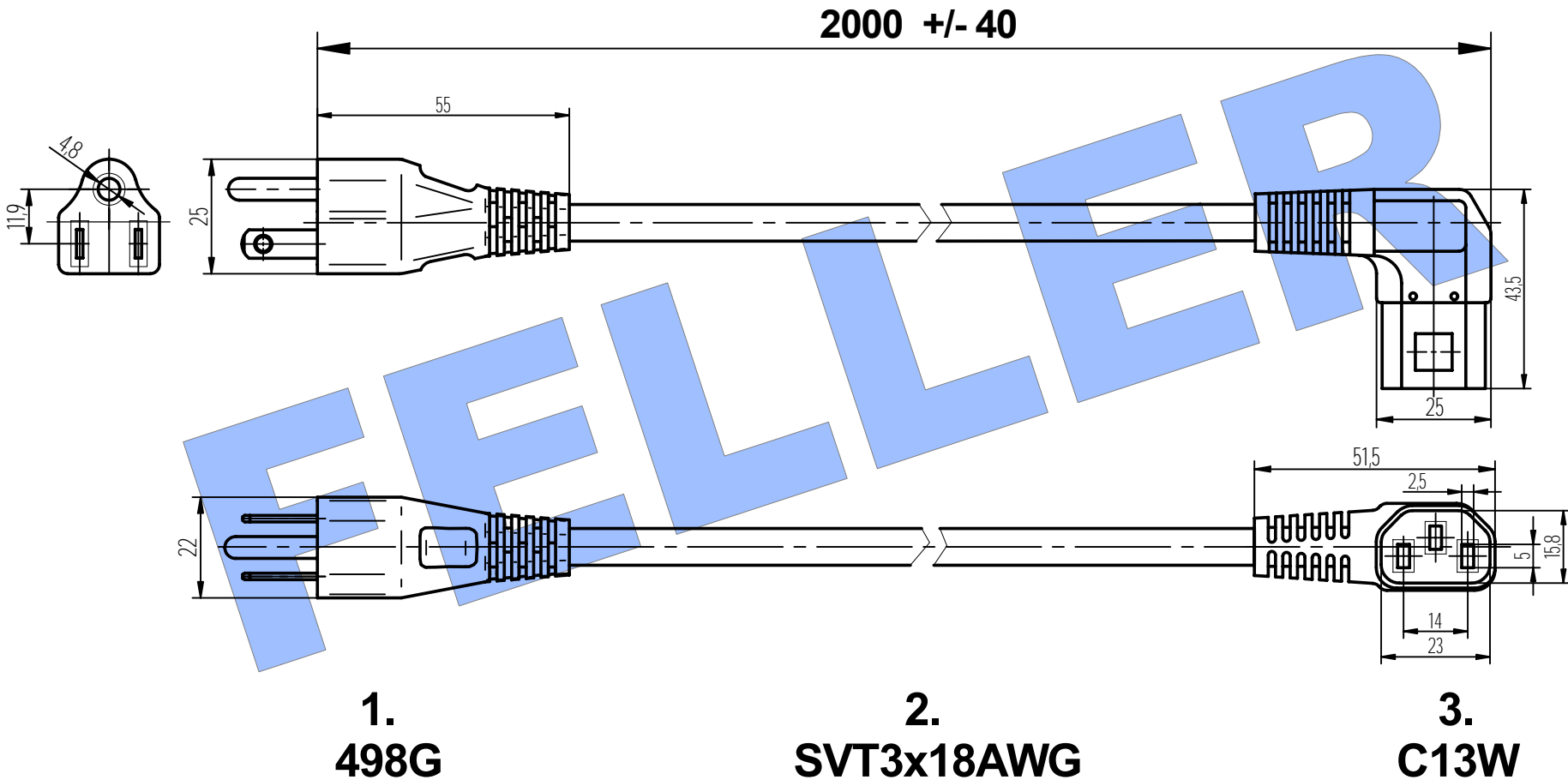
Environmental conformity : EU-Directive 2002/96/EC (WEEE)
EU-Directive 2011/65/EU
EU-Directive 1907/2006 EG (REACH -compliant)

TESTING

Electrical testing : 100%
Visual inspection : 100%
High pot test wire to wire : 3kVac for 2 sec.
Continuity test : 25Aac to grounding / 20Aac to line and neutral
Polarity test : yes
Skin high pot test : 6kVac line to skin

Tolerances not indicated in the drawing: +/- 2 %
design subject to change without prior notice

DATE of ISSUE:	March, 2015		
REV: 1	1	ORIG:	lg



Feller Type: 498G-SVT3x18AWG-C13W/2,00M BLACK NA-cc

FELLER 

A-2525 Günselsdorf, Austria

Telefon 0043-2256-62325-0

Fax: 0043-2256-62325-7

email: sales@feller-at.com

<http://www.feller-at.com>

All dimensions in mm
RoHS compliant

23.03.2015

lg