

Sura Magnets AB
Hamragatan 2
S-614 31 Söderköping
Sverige/Sweden

Telefon +46 (0) 121 353 10
Fax +46 (0) 121 353 15
E-mail info@suramagnets.se
Internet www.suramagnets.se



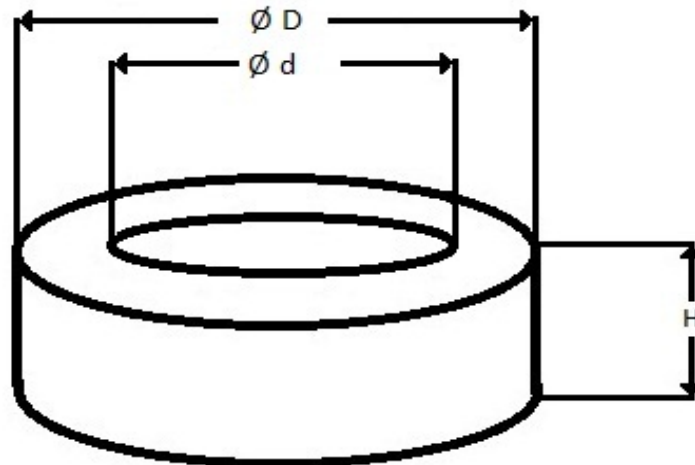
Partnumber: FA-3-009-1

Material : Ferrite Y28

Dimensions

D	H	d
9,5 mm	7 mm	4 mm

Magnetisation: Axially magnetized



Grade	Remanence (mT)		Coercivity BHc (kA/m)		Coercivity Ihc (kA/m)		Energi product BH max (kJ/m3)	
	Min	Typ	Min	Typ	Min	Typ	Min	Typ
Y 28	370	400	175	210	180	220	26	30