



### Model Number

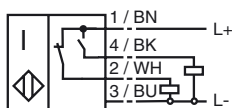
NBB20-U1-A2-T

### Features

- Temperature range -25 ... 100 °C
- 20 mm embeddable
- 4 LEDs indicator for 360° all-round visibility

### Connection

A2

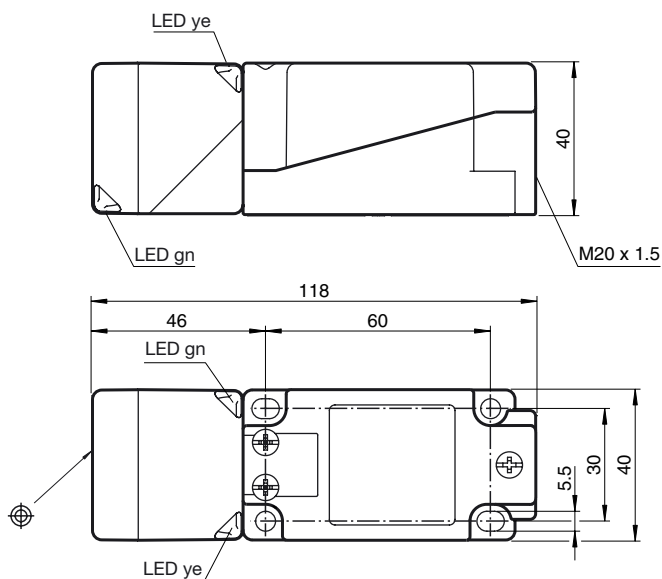


### Accessories

#### MHW 01

Mounting aid

### Dimensions



### Technical Data

#### General specifications

Switching element function	PNP	Antivalent
Rated operating distance	$s_n$	20 mm
Installation	embeddable	
Output polarity	DC	
Assured operating distance	$s_a$	0 ... 16.2 mm
Reduction factor $r_{AI}$	0.35	
Reduction factor $r_{Cu}$	0.3	
Reduction factor $r_{V2A}$	0.75	

#### Nominal ratings

Operating voltage	$U_B$	10 ... 30 V
Switching frequency	$f$	0 ... 300 Hz
Hysteresis	$H$	typ. 5 %
Reverse polarity protection	protected against reverse polarity	
Short-circuit protection	pulsing	
Voltage drop	$U_d$	$\leq 2$ V
Operating current	$I_L$	0 ... 200 mA
Off-state current	$I_r$	0 ... 0.5 mA
No-load supply current	$I_0$	$\leq 20$ mA
Operating voltage display	LED, green	
Indication of the switching state	LED, yellow	

#### Standard conformity

Standards	IEC / EN 60947-5-2:2004
-----------	-------------------------

#### Ambient conditions

Ambient temperature	-25 ... 100 °C (248 ... 373 K)
---------------------	--------------------------------

#### Mechanical specifications

Connection type	terminal compartment M20, core cross-section $\leq 2,5$ mm <sup>2</sup>
Housing material	PA/metal
Sensing face	PA
Protection degree	IP67 / IP69K
Mass	225 g
Note	Tightening torque: 1.8 Nm (housing) Tightening torque: 1.0 Nm (Screw terminal)