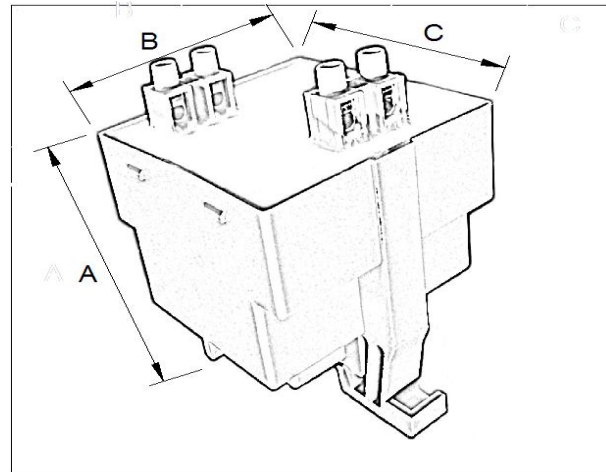
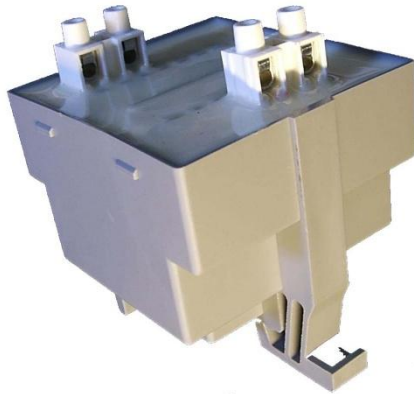


Single-phase safety protection or isolating transformer type EPPD.

For mounting on DIN –Rail TS-35.

The transformers are calculated for ambient temperature 40°C  
and of temperature class E.

Manufactured according to EN 61558-1 and of protection class IP20.



Type/Power (VA)	Mounting measure(mm)			Weight (Kg)
	A	B	C	
EPPD/20	50	60	61	0,5
EPPD/36	58	66	67	0,8
EPPD/50	65	72	73	1,1
EPPD/60	65	72	73	1,1
EPPD/90	74	85	78	1,6
EPPD/110	74	85	78	1,6

Art . No.	Voltage (V)			Power(VA)
	Prim.1	Prim.2	Sec.	
DT 21630-1	230		24	20
DT 21631-1	230		24	36
DT 21632-1	230		24	50
DT 21633-1	230		24	60
DT 21634-1	230		24	90
DT 21635-1	230		24	110
DT 21637-1	400	440	230	20
DT 21638-1	400	440	230	36
DT 21639-1	400	440	230	50
DT 21640-1	400	440	230	60
DT 21641-1	400	440	230	90
DT 21642-1	400	440	230	110