

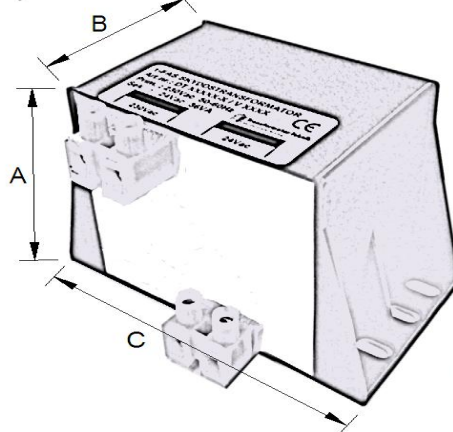
Single-phase safety protection or isolating transformer type EPP.

For hole fixing.

The transformers are calculated for ambient temperature 40°C

and of temperature class E.

Manufactured according to EN 61558-1 and of protection class IP20.



Type/Power(VA)	Mounting measures(mm)			Weight (Kg)
	A	B	C	
EPP/24	54	48	88	0,6
EPP/36	54	58	88	0,8
EPP/50	59	61	94	1,1
EPP/60	72	59	113	1,2
EPP/80	75	64	120	1,5
EPP/110	75	78	120	2,0
EPP/130	85	75	133	2,2
EPP/160	85	85	133	2,8
EPP/200	85	99	133	3,5
EPP/330	107	109	172	5,3
EPP/450	107	129	172	6,8

*C-measure are for box only. + 15mm for terminal block. +25mm at current over 16A

Art. No.	Voltage (V)		Power(VA)	Art. No.	Voltage (V)			Power(VA)
	Prim.	Sec.			Prim.1	Prim.2	Sec.	
DT 21643-1	230	24	24	DT 21654-1	400	440	230	24
DT 21644-1	230	24	36	DT 21655-1	400	440	230	36
DT 21645-1	230	24	50	DT 21656-1	400	440	230	50
DT 21646-1	230	24	60	DT 21657-1	400	440	230	60
DT 21647-1	230	24	80	DT 21658-1	400	440	230	80
DT 21648-1	230	24	110	DT 21659-1	400	440	230	110
DT 21649-1	230	24	130	DT 21660-1	400	440	230	130
DT 21650-1	230	24	160	DT 21661-1	400	440	230	160
DT 21651-1	230	24	200	DT 21662-1	400	440	230	200
DT 21652-1	230	24	330	DT 21663-1	400	440	230	330
DT 21653-1	230	24	450	DT 21664-1	400	440	230	450