

## IEC Appliance Connector E for Cable Mounting, 70°C



4733/4736

E



70 °C

**Description**

- Rewireable plug:  
Screw-on
- Inlet, Pin temperature 70 °C, Protection class I
- Cable
- Substitute for type [8143.A](#)

**Weblinks**

Approvals: <http://www.schurter.com/approvals>  
 RoHS: <http://www.schurter.com/rohs>

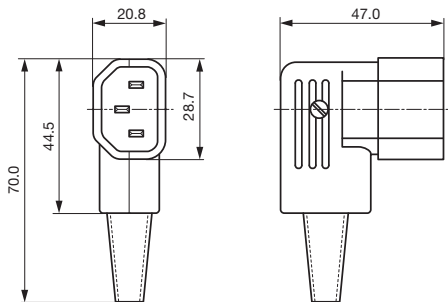
**Technical Data**

Ratings IEC	10 A / 250 VAC; 50 Hz
Ratings UL/CSA	10 A / 250 VAC; 60 Hz
Dielectric Strength	> 2 kVAC between L-N > 2 kVAC between L/N-PE (1 min/50 Hz)
Allowable Operation Temp.	-25 °C to 70 °C
Protection Class	Suitable for appliances with protection class I acc. to IEC 61140
Terminal	Cable
Material: Housing	Thermoplastic, black, UL 94V-0

Appliance-Inlet /-Outlet	E acc. to IEC/EN 60320-2-2, UL 498, CSA C22.2 no. 42 (for cold condition) pin-temperature 70 °C, 10 A, Protection class I
--------------------------	--

**Dimensions**

4733

Length  70 mm**Variants**

Color	Max. cable diameter	Max. wire size	Order Number
black	8.5 mm	3 x 1 mm <sup>2</sup> / 3 x 18 AWG	4733.0000

Max. torque for screws: Terminal: 0.5 Nm, Cable clamp: 0.3 Nm, Cover: 0.3 Nm

Cord retaining clamp see accessories

**Packaging unit** 100 Pcs