



LYGO Int. Co. Ltd.

利高電業國際有限公司

Unit1902, 19/f, Modem Warehouse, 6 Shing Yip Street,
Kwun Tong, HongKong

SPECIFICATION

MODEL NO. : LG050060EP

CUSTOMER : Compel

SPEC. REF. NO. : SFR04453 VERSION 0 SR. NO.: RR-1239/04

DATA NO.: : DR04377

ARTICLE : AC/DC ADAPTOR

TRANSFORMER SIZE : EI-35

STD. : GS

DESCRIPTION : AC230V 50Hz ; DC5V 600mA VERSION: 0

ISSUED BY : December 18, 2004
DATE SIGNATURE

APPROVED BY : December 18, 2004
DATE SIGNATURE

Please confirm your acceptance by signing and return one copy to us.	Sign and Chop : Date :
Your Part Number :	
Your Sample approval reference Number:	

HISTORY SHEET:

REVISION	DETAILS	DATE
0	Official release	December 18, 2004

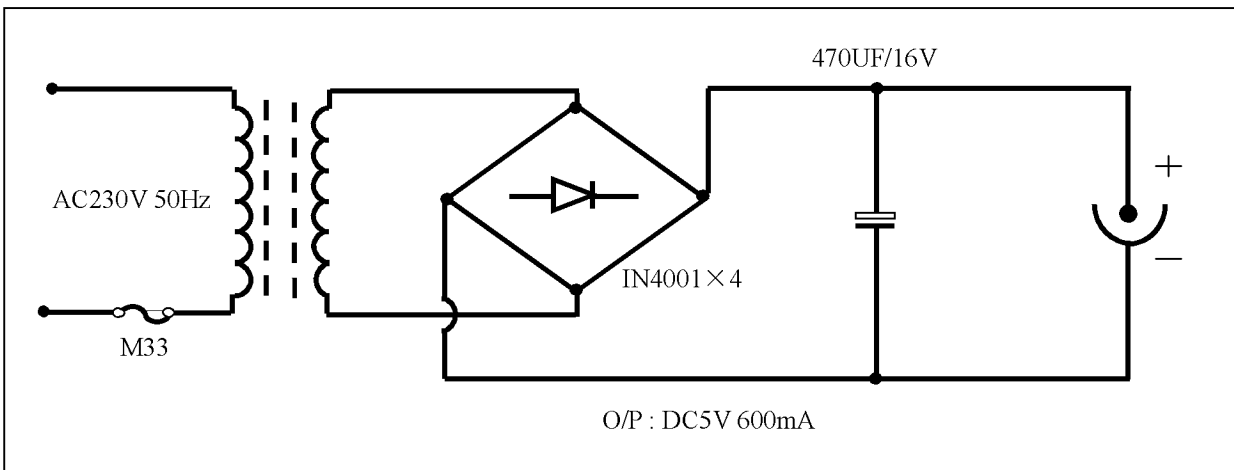
SPECIFICATIONS :

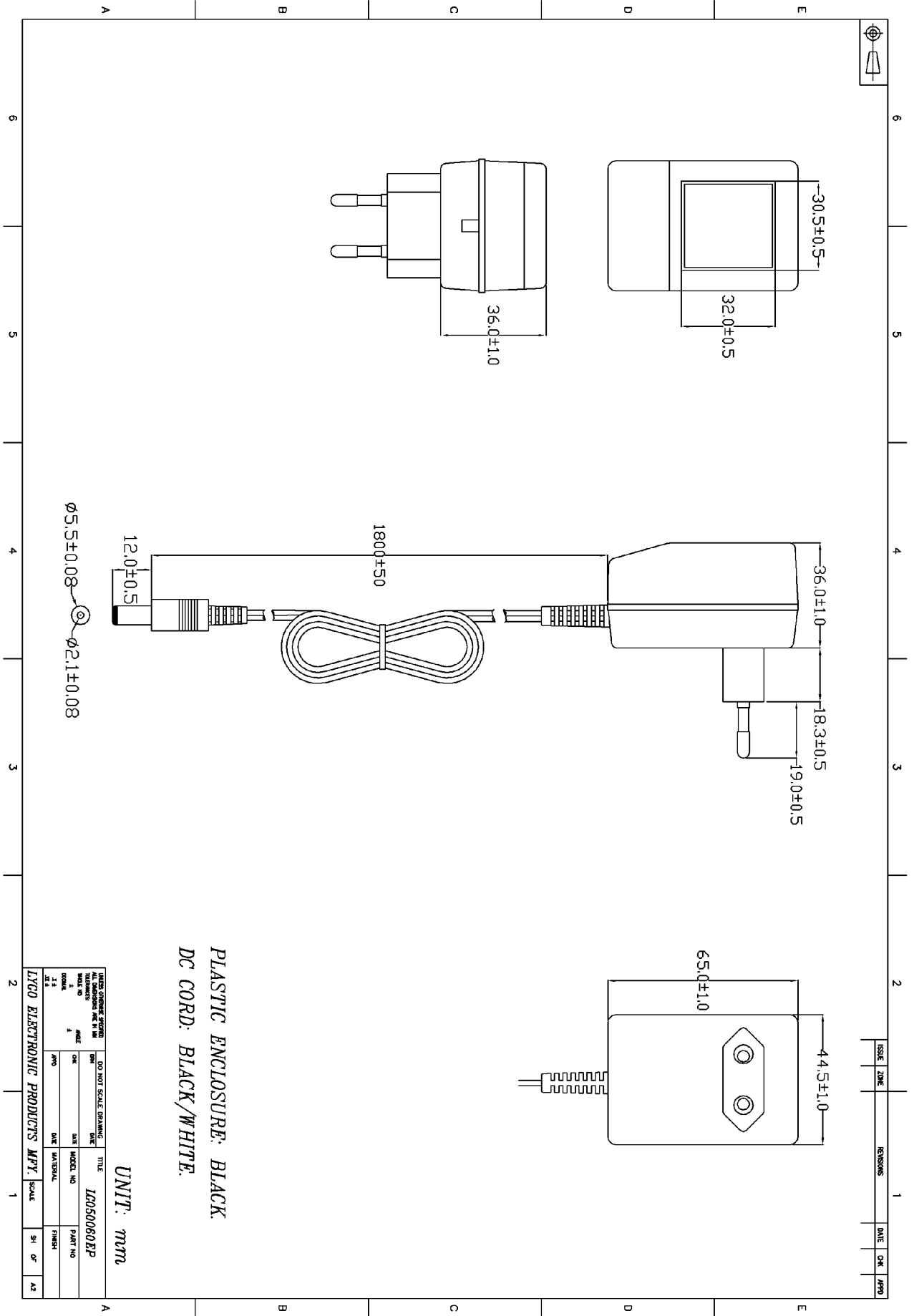
OUR REF. NO : LG050060EP	DATA NO.: DR04377
ARTICLE : AC/DC ADAPTOR	CORE TYPE : EI-35
DESCRIPTION : INPUT: AC230V50Hz OUTPUT: DC5V 600mA	CERTIFICATION :

ELECTRICAL SPECIFICATIONS :

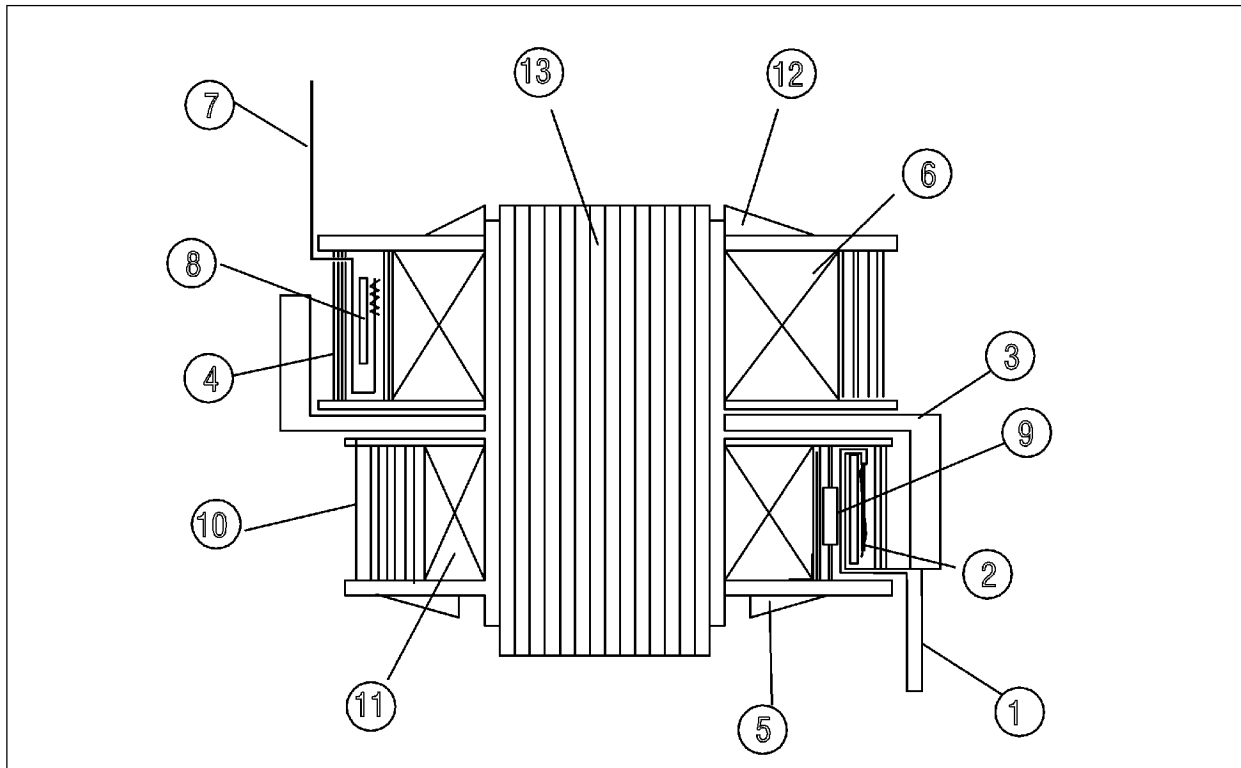
1		ITEM	NORMAL	LIMIT
2	INPUT	VOLTAGE	I/P: AC230V 50 Hz	AC V +- 5% Hz
3		EXCITING CURRENT		60 mA Max.
4		FULL LOAD CURRENT		65 mA Max.
5		PRIMARY DC RESISTANCE	790 ohm	+/- 15%
6		FULL LOAD INPUT POWER	8.5 W	+ -5%
7		THERMAL FUSE	130°C	
8		OUTPUT	OUTPUT VOLTAGE @ AC230V, NO LOAD	O/P: DC10V
9	OUTPUT VOLTAGE @ I/P: AC230V50Hz O/P LOAD : DC600mA		O/P: DC 5V	+ -8%
10				
11	PCB COMPOENT		DIODE(IN4001 × 4);E,CAP(470UF/16V)	
12	OUTPUT CABLE+PLUG		1.8M long, AWG #24, Φ 2.1 × 5.5 × 12.0mm female I plug	
13		POLARITY	CENTER (+)	
14		INSULATION RESISTANCE	PRIMARY – SEC	DC 500V 100M OHM MINIMUM
15		INSULATION RESISTANCE	PRIMARY – CORE	DC 500V 100M OHM MINIMUM
16		DIELECTRIC STRENGTH	PRIMARY – SEC	AC 3750V 1mA 1minute
17		DIELECTRIC STRENGTH	PRIMARY – CORE	AC 3750V 1mA 1minute
18		DIELECTRIC STRENGTH	SECONDARY-CORE	AC 500 V 1mA 1minute
19		IMPEREGNATION	VARNISHED	
20		SAFETY STANDARD	EN61558 EN60950	

SCHEMATIC:



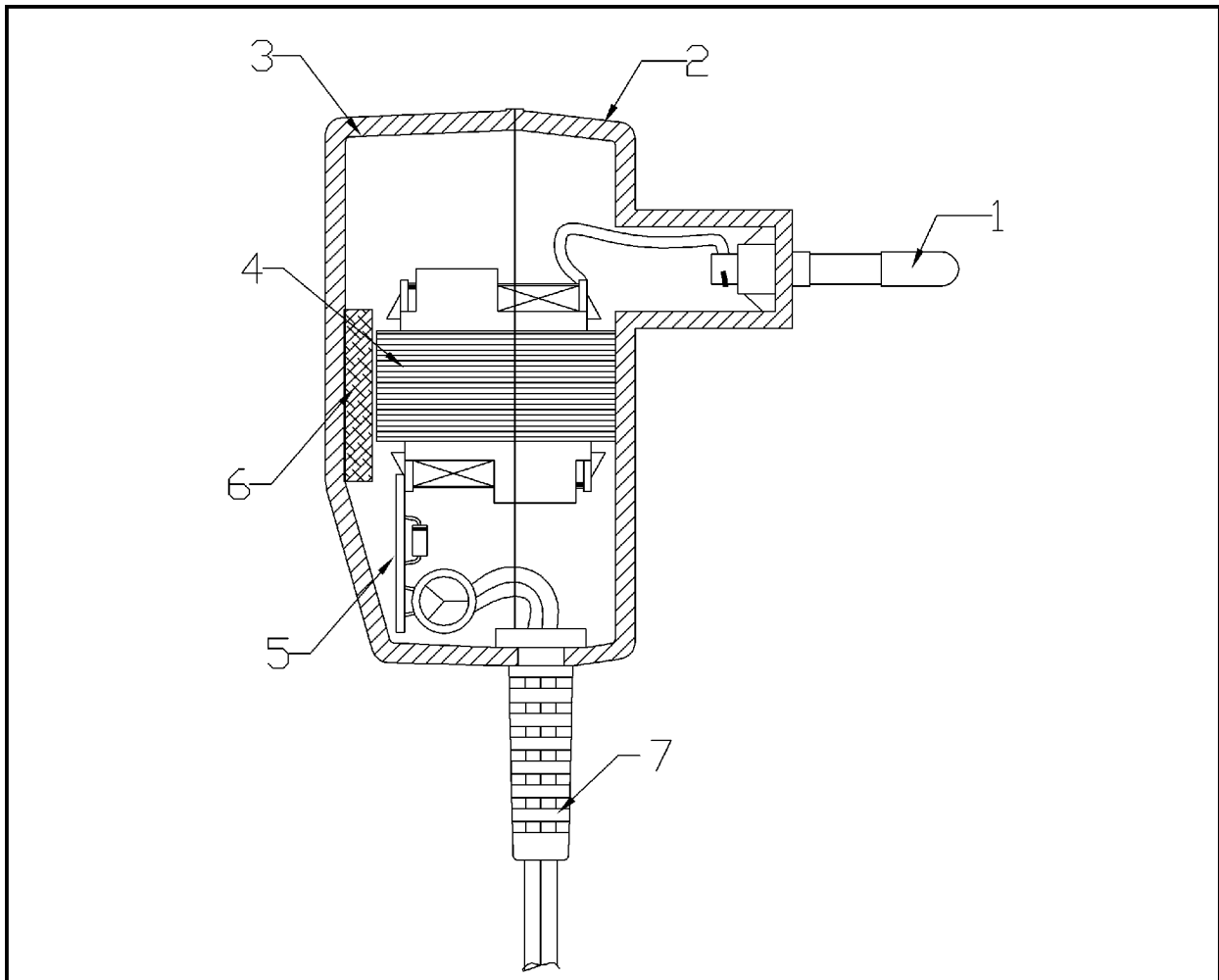


TRANSFORMER CORE CONSTRUCTION



ITEM	DESCRIPTION	MATERIALS
1	PRIMARY LEADOUT	Input tenninal brass metal with nickel plated temp. 105 deg.
2&8	FIXING FIBERS	Electrical Grad Paper
3	BOBBIN HOLDER	Nylon Zytel , Type 101F 0.64mm. Thickness min.
4&10	PRI. & SEC. COIL OUTWARD	Polyester tape, Type 3 Layers 0.05mm
5&12	PRI. & SEC. BOBBINS	Nylon Zytel , Type 101F 0.64mm. Thickness min.
6	SECONDRY COIL	Polyurethane enamelled copper wire 2UEW
7	SECONDRY LEADOUT	Polyurethane enamelled copper wire 2UEW
9	THERMAL PROTECTECTION	M33 130°C
11	PRIMARY COIL	Polyurethane enamelled copper wire 2UEW
13	EI CORE ASS	Silicon steel EI-35

CASING ASSEMBLY:



ITEM	DESCRIPTION	MATERIALS
1	PLUG PIN	BRASS METAL WITH NICKEL PLATED
2	TOP CASE	ABS Vo
3	BOTTOM CASE	ABS Vo
4	TRANSFORMER	EI-35 I/P : AC230V 50Hz O/P : DC5V 600mA
5	PCB ASS' Y	PHENOLICBOARD94V-0,DIODE(IN4001 × 4),E,CAP(470UF/16V)
6	SPONGE	40 × 25 × 9mm
7	DC CORD	Twin wire AWG 24# black/white , 1.8M W/PLUG: 2.1 × 5.5 × 12.0mm "I" TYPE

TEMPERRATURE RISE :

Version	Requirement	Result
UL1310 ADAPTOR	- 75K max at Pri & Sec winding by resistance method - 50K max at enclosure by Thermocouple method	/
IEC/EN61558 /950 EURO/BS/ AUS/CHINA	- 95K max at Pri & Sec winding by resistance method - 80DgC max at enclosure by Thermocouple method	PASS

DROP TEST :

Version	Safety standard	Result	Testing method	Requirement
UL	UL1310	/	Each unit is to be dropped(free fall)three times in succession from a height of 3feet onto a concrete floor al least 2-1/2 inches thick covered with a nominal 1/8-inch-thick vinyl title. .The impact area is to be at least 3 square feet in area	the samples is to be subjected to the dielectric voltage withstand of 2kv AC for 2 sec. ,there should be no development of a risk of fire or electric shock
CSA	C22.2 NO:223-1987	/		
EURO BS SAA CHINA	EN/IEC 61559/950	PASS	Each unit free fall from a gheight of 40 mm to a smooth stell plate at least 5mm thick, lying on a flat concrete. 100 falls are mode at a rate not exceeding one fall per 5's.	The sample is to be subjected to the hi-pot test of 2KV AC for 2 sec. There should be no risk of fire or electric shock.

NAMEPLATE HISTORY:

MODEL NO.:	LG050060EP	SPEC NO.	SFR04453
ISSUE DATE	REVISION	DETAILS	VERIFY BY
May 6, 2005	0	official release	Sun Ng



SIZE : 29.6 × 31.6mm
 MATERIAL : PVC
 BASE : BLACK COLOR
 WORDS : WHITE COLOR