



Catalog

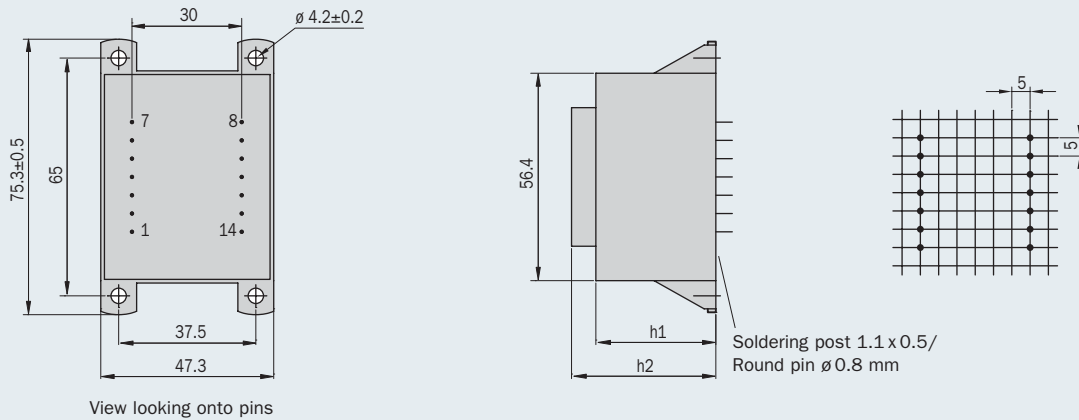


HAHN QUALITY
Performance that builds trust.



- Capacity up to 22.0 VA
- Non short-circuit-proof at temperature class ta 70 °C/B
- Standard type with 'KK' cast housing
- Test certifications to ENEC 10-, VDE- and UL-regulations*
- with VDE certificate for glow wire test in accordance to standard EN 60335-1:2005
- Excellent temperature fluctuation resistance properties
- High electrical safety and long service-life features
- High voltage resistance
- Self-extinguishing cast housing and sealing material
- Certified item quality tested

Primary protection by means of transformer heat coils to IEC 127 standards or secondarily with PTC resistances.



View looking onto pins

Soldering post 1.1 x 0.5/
Round pin \varnothing 0.8 mm

Type 'KK' cast housing with 4 fixing straps

Dimensions without tolerances \pm 0.3 mm,
Rights to make alterations and improvements hereby reserved

Frame size/Core height	Output ta 70 °C/B	h1 (mm)	h2 (mm)	Weight	Packaging unit
BV EI 540 / 14.0 mm*	12.0 VA	28.6 \pm 0.5 mm*	35.0 \pm 0.5 mm*	0.350 kg	24 pieces
BV EI 541 / 18.8 mm	16.0 VA	32.0 \pm 0.5 mm	38.8 \pm 0.5 mm	0.400 kg	24 pieces
BV EI 542 / 23.0 mm	20.0 VA	36.5 \pm 0.5 mm	43.2 \pm 0.5 mm	0.500 kg	24 pieces
BV EI 543 / 25.5 mm	22.0 VA	40.5 \pm 0.5 mm	47.4 \pm 0.5 mm	0.550 kg	24 pieces

* Only in type '0'

Order No.	Total output VA	Frame Size	Primary voltage V	Connecting pins prim.	Secondary voltage V	Current sec. mA	Connecting pins sec.	No-load voltage V
BV EI 540 1137	12.0	0	230	1-7	1 x 6	2000	9-13	1 x 8.1
BV EI 540 1138	12.0	0	230	1-7	2 x 6	1000	8-9/13-14	2 x 8.1
BV EI 540 1139	12.0	0	230	1-7	1 x 7.5	1600	9-13	1 x 9.9
BV EI 540 1140	12.0	0	230	1-7	2 x 7.5	800	8-9/13-14	2 x 9.9
BV EI 540 1141	12.0	0	230	1-7	1 x 9	1333	9-13	1 x 12.2
BV EI 540 1142	12.0	0	230	1-7	2 x 9	667	8-9/13-14	2 x 12.2
BV EI 540 1143	12.0	0	230	1-7	1 x 12	1000	9-13	1 x 15.8
BV EI 540 1144	12.0	0	230	1-7	2 x 12	500	8-9/13-14	2 x 15.8
BV EI 540 1145	12.0	0	230	1-7	1 x 15	800	9-13	1 x 19.4
BV EI 540 1146	12.0	0	230	1-7	2 x 15	400	8-9/13-14	2 x 19.4
BV EI 540 1147	12.0	0	230	1-7	1 x 18	667	9-13	1 x 23.5
BV EI 540 1148	12.0	0	230	1-7	2 x 18	334	8-9/13-14	2 x 23.5
BV EI 540 1149	12.0	0	230	1-7	1 x 24	500	9-13	1 x 30.6



Safety transformer

* UL on request



Frame size/Core height	Output ta 70 °C/B	h1 (mm)	h2 (mm)	Weight	Packaging unit
BV EI 541 /18.8 mm	16.0 VA	32.0 ± 0.5 mm	38.8 ± 0.5 mm	0.400 kg	24 pieces

Order No.	Total output VA	Frame Size	Primary voltage V	Connecting pins prim.	Secondary voltage V	Current sec. mA	Connecting pins sec.	No-load voltage V
BV EI 541 1121	16.0	1	230	1-7	1 x 6	2667	9-13	1 x 7.9
BV EI 541 1128	16.0	1	230	1-7	2 x 6	1334	8-9/13-14	2 x 7.9
BV EI 541 1122	16.0	1	230	1-7	1 x 7.5	2134	9-13	1 x 9.7
BV EI 541 1129	16.0	1	230	1-7	2 x 7.5	1067	8-9/13-14	2 x 9.7
BV EI 541 1123	16.0	1	230	1-7	1 x 9	1778	9-13	1 x 11.7
BV EI 541 1130	16.0	1	230	1-7	2 x 9	889	8-9/13-14	2 x 11.7
BV EI 541 1124	16.0	1	230	1-7	1 x 12	1333	9-13	1 x 15.2
BV EI 541 1131	16.0	1	230	1-7	2 x 12	667	8-9/13-14	2 x 15.2
BV EI 541 1125	16.0	1	230	1-7	1 x 15	1067	9-13	1 x 19.1
BV EI 541 1132	16.0	1	230	1-7	2 x 15	534	8-9/13-14	2 x 19.1
BV EI 541 1126	16.0	1	230	1-7	1 x 18	889	9-13	1 x 22.3
BV EI 541 1150	16.0	1	230	1-7	2 x 18	445	8-9/13-14	2 x 22.3
BV EI 541 1110	16.0	1	230	1-7	1 x 24	667	9-13	1 x 29.1

Frame size/Core height	Output ta 70 °C/B	h1 (mm)	h2 (mm)	Weight	Packaging unit
BV EI 542 /23.0 mm	20.0 VA	36.5 ± 0.5 mm	43.2 ± 0.5 mm	0.500 kg	24 pieces

Order No.	Total output VA	Frame Size	Primary voltage V	Connecting pins prim.	Secondary voltage V	Current sec. mA	Connecting pins sec.	No-load voltage V
BV EI 542 1151	20.0	2	230	1-7	1 x 6	3334	9-13	1 x 7.7
BV EI 542 1152	20.0	2	230	1-7	2 x 6	1667	8-9/13-14	2 x 7.7
BV EI 542 1153	20.0	2	230	1-7	1 x 7.5	2667	9-13	1 x 9.5
BV EI 542 1154	20.0	2	230	1-7	2 x 7.5	1334	8-9/13-14	2 x 9.5
BV EI 542 1155	20.0	2	230	1-7	1 x 9	2223	9-13	1 x 11.4
BV EI 542 1156	20.0	2	230	1-7	2 x 9	1112	8-9/13-14	2 x 11.4
BV EI 542 1157	20.0	2	230	1-7	1 x 12	1667	9-13	1 x 15.0
BV EI 542 1158	20.0	2	230	1-7	2 x 12	834	8-9/13-14	2 x 15.0
BV EI 542 1159	20.0	2	230	1-7	1 x 15	1334	9-13	1 x 18.6
BV EI 542 1160	20.0	2	230	1-7	2 x 15	667	8-9/13-14	2 x 18.6
BV EI 542 1161	20.0	2	230	1-7	1 x 18	1112	9-13	1 x 21.8
BV EI 542 1162	20.0	2	230	1-7	2 x 18	556	8-9/13-14	2 x 21.8
BV EI 542 1163	20.0	2	230	1-7	1 x 24	834	9-13	1 x 29.5

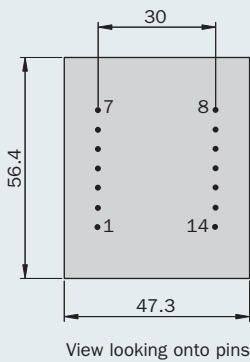
Frame size/Core height	Output ta 70 °C/B	h1 (mm)	h2 (mm)	Weight	Packaging unit
BV EI 543 /25.5 mm	22.0 VA	40.5 ± 0.5 mm	47.4 ± 0.5 mm	0.550 kg	24 pieces

Order No.	Total output VA	Frame Size	Primary voltage V	Connecting pins prim.	Secondary voltage V	Current sec. mA	Connecting pins sec.	No-load voltage V
BV EI 543 1166	22.0	3	230	1-7	1 x 6	3667	9-13	1 x 7.4
BV EI 543 1167	22.0	3	230	1-7	2 x 6	1834	8-9/13-14	2 x 7.4
BV EI 543 1168	22.0	3	230	1-7	1 x 7.5	2934	9-13	1 x 8.9
BV EI 543 1169	22.0	3	230	1-7	2 x 7.5	1467	8-9/13-14	2 x 8.9
BV EI 543 1170	22.0	3	230	1-7	1 x 9	2445	9-13	1 x 10.7
BV EI 543 1171	22.0	3	230	1-7	2 x 9	1223	8-9/13-14	2 x 10.7
BV EI 543 1172	22.0	3	230	1-7	1 x 12	1834	9-13	1 x 14.5
BV EI 543 1173	22.0	3	230	1-7	2 x 12	917	8-9/13-14	2 x 14.5
BV EI 543 1174	22.0	3	230	1-7	1 x 15	1467	9-13	1 x 17.9
BV EI 543 1175	22.0	3	230	1-7	2 x 15	734	8-9/13-14	2 x 17.9
BV EI 543 1176	22.0	3	230	1-7	1 x 18	1223	9-13	1 x 21.0
BV EI 543 1177	22.0	3	230	1-7	2 x 18	612	8-9/13-14	2 x 21.0
BV EI 543 1178	22.0	3	230	1-7	1 x 24	917	9-13	1 x 28.0

Individual EI 54 transformer version

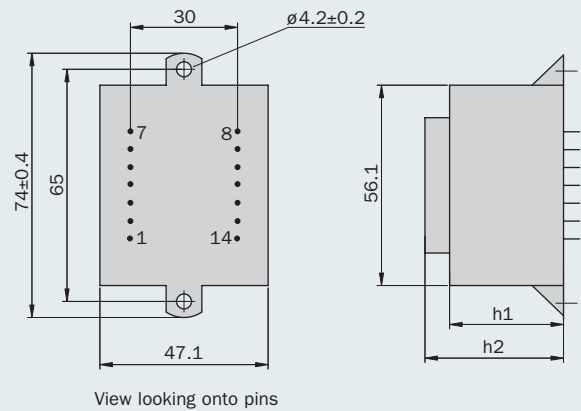
EI 54 transformers, custom-made versions.

Parallel to the cataloged EI 54 series transformers, HAHN also produces other variants, e.g. with integrated thermo fuse or thermo switch, other housing-, fixing- and connective options as well as non-encapsulated transformers.



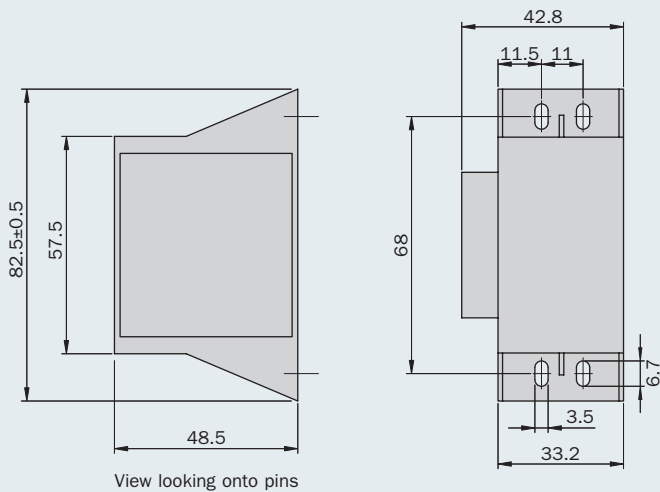
View looking onto pins

Type '0' cast housing without fixing straps



View looking onto pins

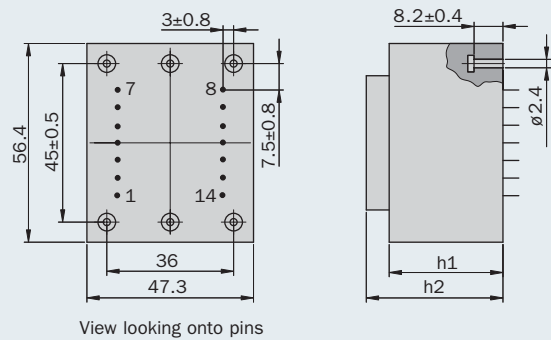
Type 'K' cast housing with 2 fixing straps



View looking onto pins

Type 'SV' for upright mounting

EI 54/18.8



View looking onto pins

Type '0' cast housing with fixing band

Dimensions in drawings:
 - without tolerances ± 0.3 mm
 - Soldering post 1.1 x 0.5
 - Round pin ø 0.8



HAHN QUALITY

Performance that builds trust.

HAHN GmbH & Co. KG
Bellersheimer Straße 45
D-35410 Hungen/Trais-Horloff
Phone: 00 49 (0) 64 02 / 8 08-0
Fax: 00 49 (0) 64 02 / 8 08-60
info@hahn-trafo.de
www.hahn-trafo.com