

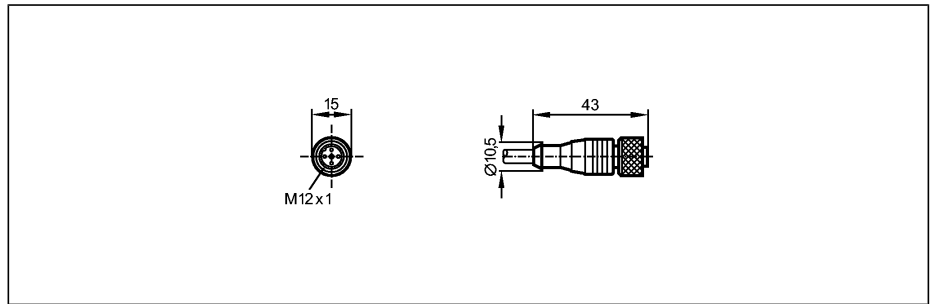
Connection technology

E11250

ADOGA050MSS0005H04
Socket

For sensors with
1/2" connector

Free from halogen



Electrical design	AC
Operating voltage [V]	300 AC
Design	straight
Ambient temperature [°C]	-25...90
Protection	IP 67
Material body	TPU
Material nut	brass; nickel-plated
Connection	PUR cable / 5 m; 4 x 0.34 mm ² (43 x Ø 0.1 mm); Ø 4.7 mm; halogen-free
Sheath colour	black
Weight [kg]	0.16

Wiring

Core colours
BK black
BN brown
BU blue
WH white

