

# DULUX® L LUMILUX®

IMPROVED LIFETIME & SYSTEM GUARANTEE



DULUX® L LUMILUX®



QTP-M 1x26-42®



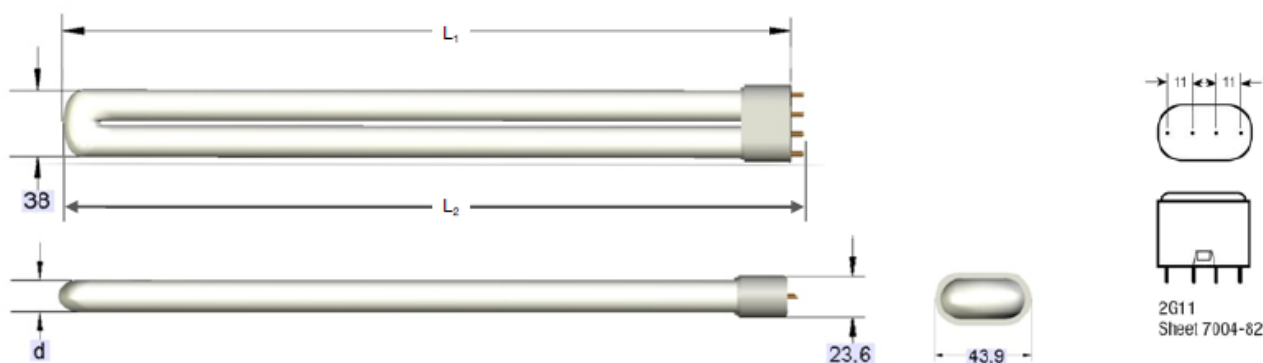
## Benefits

- Extremely economical
- Good quality of light
- Excellent luminous flux
- Improved lumen maintenance
- Long service life time
- OSRAM System+ Guarantee LUMILUX with QUICKTRONIC®
- Environmental friendly

## Product Features

- Improved average lamp life: up to 20.000 h (with QUICKTRONIC®)
- Good color rendering (R<sub>a</sub> 80...89)
- Dimming (from 100...1% with QTI DALI/DIM)
- Also as blue available
- 18 – 36W: Operation with electronic and conventional control gear + starter
- 40 – 80W: Operation with electronic control gear

## Dimensions



Description	Base	Max Length L1 [mm]	Max Length L1 IEC [mm]	Max Length L2 [mm]	Tube Diameter d [mm]
DULUX® L LUMILUX® 18 W	2G11	217	225	222	17.5
DULUX® L LUMILUX® 24 W	2G11	317	320	322	17.5
DULUX® L LUMILUX® 36 W	2G11	411	415	416	17.5
DULUX® L LUMILUX® 40 W	2G11	533	535	538	17.5
DULUX® L LUMILUX® 55 W	2G11	533	535	538	17.5
DULUX® L LUMILUX® 80 W	2G11	565	565	570	17.5

## Electrical Data<sup>1</sup>

Lamps operated with **50Hz** reference ballast at 25 °C (100 h aged) ambient temperature

DULUX® L LUMILUX®	Lamp Voltage rated [V]	Lamp Current rated [mA]	Lamp Power rated [W]	Compensation parallel Capacitor CCG <sup>2</sup> mode <sup>3</sup> [μF]	Compensation series Capacitor CCG mode <sup>4</sup> [μF]
18 W	58	375	16	4.2	2.7
24 W	87	345	22	3.6	2.7
36 W	106	435	32	4.4	3.4

Lamps operated with **HF<sup>5</sup>** reference control gear at 25 °C (100 h aged) ambient temperature

DULUX® L LUMILUX®	Lamp Voltage rated [V]	Lamp Current rated [mA]	Lamp Power rated [W]
18 W	50	320	16
24 W	75	300	22
36 W	90	360	32
40 W	126	320	40
55 W	101	550	55
80 W	145	555	80

## Photometrical Data at 25 °C (100 h aged) ambient temperature<sup>6</sup>

DULUX® L LUMILUX®	Light Color LUMILUX®	Color Rendering Index (CRI), Ra	Lumi-nance (LC <sup>7</sup> 840) [cd/cm <sup>2</sup> ]	Target Color Coordinate X	Target Color Coordinate Y	Nominal Luminous Flux [lm]	Efficacy 25 °C [lm/W]
18 W	827 INTERNA	80 ... 89	2.1	0.463	0.420	1200	67
18 W	830 Warm White	80 ... 89	2.1	0.440	0.403	1200	67
18 W	835 White	80 ... 89	2.1	0.409	0.394	1200	67
18 W	840 Cool White	80 ... 89	2.1	0.380	0.380	1200	67
24 W	827 INTERNA	80 ... 89	2.1	0.463	0.420	1800	75
24 W	830 Warm White	80 ... 89	2.1	0.440	0.403	1800	75
24 W	835 White	80 ... 89	2.1	0.409	0.394	1800	75
24 W	840 Cool White	80 ... 89	2.1	0.380	0.380	1800	75
36 W	827 INTERNA	80 ... 89	2.8	0.463	0.420	2900	81
36 W	830 Warm White	80 ... 89	2.8	0.440	0.403	2900	81
36 W	835 White	80 ... 89	2.8	0.409	0.394	2900	81
36 W	840 Cool White	80 ... 89	2.8	0.380	0.380	2900	81
36 W	865 Cool Daylight	80 ... 89	2.8	0.313	0.337	2750	76
36 W	880 SKYWHITE	80 ... 89	2.8	0,294	0,309	2610	73

<sup>1</sup> According to IEC 60901

<sup>2</sup> Conventional Control Gear

<sup>3</sup> For cos phi = 0.95; Dielectric strength of the capacitor 250V AC; capacitive tolerance +/- 10%

<sup>4</sup> Dielectric strength of the capacitor 450V AC

<sup>5</sup> High Frequency

<sup>6</sup> Measurement in accordance with IEC 60901, annex C and the relevant annex on rated colour characteristics in IEC 60081.

<sup>7</sup> Light Color

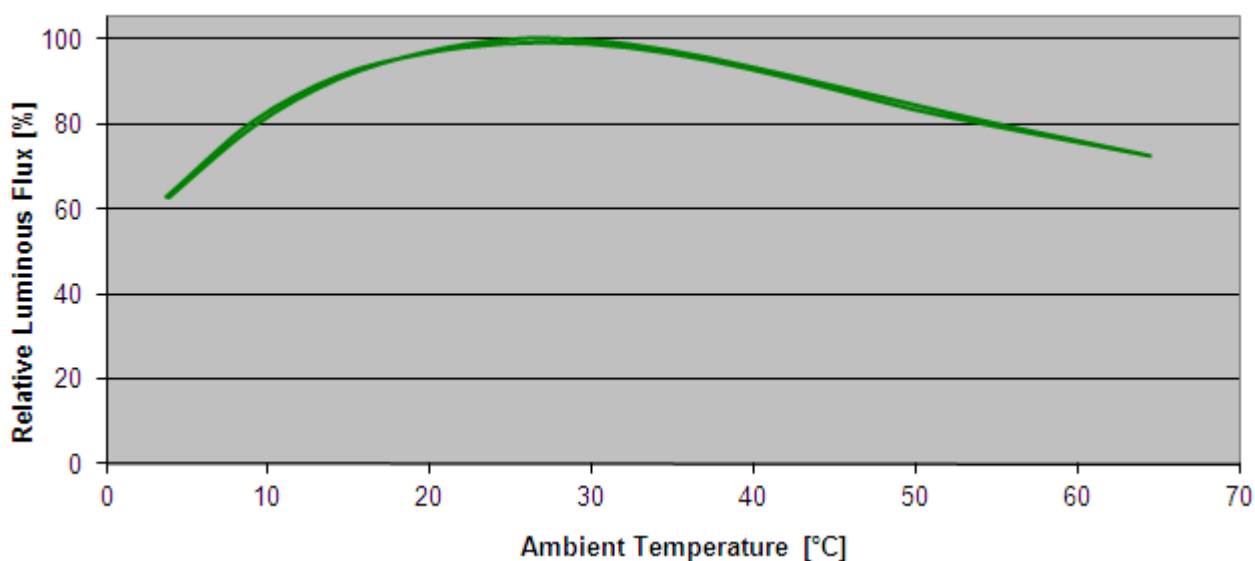
Edition 08.2013. Subject to change without notice. Errors and omissions excepted. Always make sure to use the most recent release.

LP LPD MK

3

DULUX® L LUMILUX®	Light Color LUMILUX®	Color Rendering Index (CRI), Ra	Lumi-nance (LC 840) [cd/cm²]	Target Color Coordinate X	Target Color Coordinate Y	Nominal Luminous Flux [lm]	Efficacy 25 °C [lm/W]
40 W	827 INTERNA	80 ... 89	2.3	0.463	0.420	3500	88
40 W	830 Warm White	80 ... 89	2.3	0.440	0.403	3500	88
40 W	835 White	80 ... 89	2.3	0.440	0.403	3500	88
40 W	840 Cool White	80 ... 89	2.3	0.380	0.380	3500	88
40 W	865 Cool Daylight	80 ... 89	2.3	0.313	0.337	3325	83
40 W	880 SKYWHITE	80 ... 89	2.3	0,294	0,309	3150	79
55 W	827 INTERNA	80 ... 89	3.2	0.463	0.420	4800	87
55 W	830 Warm White	80 ... 89	3.2	0.440	0.403	4800	87
55 W	835 White	80 ... 89	3.2	0.409	0.394	4800	87
55 W	840 Cool White	80 ... 89	3.2	0.380	0.380	4800	87
55 W	865 Cool Daylight	80 ... 89	3.2	0.313	0.337	4550	83
55 W	880 SKYWHITE	80 ... 89	3.2	0,294	0,309	4320	79
80 W	830 Warm White	80 ... 89	3.7	0.440	0.403	6000	75
80 W	840 Cool White	80 ... 89	3.7	0.380	0.380	6000	75
80 W	880 SKYWHITE	80 ... 89	3.7	0,294	0,309	5400	68

## Relative Luminous Flux / Ambient Temperature



For more detailed information please refer to our technical guide – Compact Fluorescent Lamps. Free download at [www.osram.com](http://www.osram.com)

Lifetime<sup>8</sup>

DULUX® L LUMILUX®	ECG <sup>9</sup> preheated IEC switching cycle <sup>10</sup>	CCG IEC switching cycle
<b>B50<sup>11</sup></b>	20000 h	10000
<b>Service life time<sup>12</sup></b>	13000 h	7500
<b>LLMF<sup>13</sup> 2000 h</b>	0.90	0.85
<b>LLMF 4000 h</b>	0.84	0.78
<b>LLMF 6000 h</b>	0.82	0.76
<b>LLMF 8000 h</b>	0.81	0.75
<b>LLMF 12000 h</b>	0.78	-
<b>LLMF 16000 h</b>	0.78	-
<b>LLMF 20000 h</b>	0.76	-
<b>LSF<sup>14</sup> 2000 h</b>	0.99	0.99
<b>LSF 4000 h</b>	0.99	0.99
<b>LSF 6000 h</b>	0.99	0.97
<b>LSF 8000 h</b>	0.99	0.85
<b>LSF 12000 h</b>	0.95	-
<b>LSF 16000 h</b>	0.80	-
<b>LSF 20000 h</b>	0.50	-

<sup>8</sup> Measurement in accordance with IEC 60901, annex C.

<sup>9</sup> Electronic Control Gear

<sup>10</sup> Switching cycle 165 min. on, 15 min. off (according to IEC)

<sup>11</sup> Average rated lamp life (B50) is the average value of the life values of individual lamps operated under standardized conditions (50% failure). In other words, this is the operation time at which, for a standardized 3-hour switching cycle (165 minutes on / 15 minutes off, see annex C, IEC 60901), 50% of a sample population of lamps have failed.

<sup>12</sup> Service life time is the mathematical life time (maintenance multiplied with the % of failed lamps e.g. B10) for lamps in an installation after which the installation luminous flux (100 h value) decreased with 30 % (decrease in luminous flux and failed lamps) for indoor lighting.

<sup>13</sup> Lamp Lumen Maintenance Factor (Lamp luminous flux in %): Ratio of the luminous flux of a specific quantity of lamps at a defined number of hours of operation to their luminous flux at 100 h

<sup>14</sup> Lamp Survival Factor (Lamp Survival in %): Ratio of the number of electrically intact lamps to the total number of lamps

Edition 08.2013. Subject to change without notice. Errors and omissions excepted. Always make sure to use the most recent release.

LP LPD MK

5

## Energy labelling<sup>15</sup>

Description	Energy efficiency class	Weighted energy consumption E <sub>c</sub> [kWh/1000h]
DULUX® L LUMILUX 18W/827	A	20
DULUX® L LUMILUX 18W/830	A	20
DULUX® L LUMILUX 18W/835	A	20
DULUX® L LUMILUX 18W/840	A	20
DULUX® L LUMILUX 24W/827	A	27
DULUX® L LUMILUX 24W/830	A	27
DULUX® L LUMILUX 24W/835	A	27
DULUX® L LUMILUX 24W/840	A	27
DULUX® L LUMILUX 24W/67	B	27
DULUX® L LUMILUX 36W/827	A	40
DULUX® L LUMILUX 36W/830	A	40
DULUX® L LUMILUX 36W/835	A	40
DULUX® L LUMILUX 36W/840	A	40
DULUX® L LUMILUX 36W/865	A	40
DULUX® L LUMILUX 36W/880	A	40
DULUX® L LUMILUX 40W/827	A+	44
DULUX® L LUMILUX 40W/830	A+	44
DULUX® L LUMILUX 40W/835	A+	44
DULUX® L LUMILUX 40W/840	A+	44
DULUX® L LUMILUX 40W/865	A	44
DULUX® L LUMILUX 40W/880	A	44
DULUX® L LUMILUX 55W/827	A+	61
DULUX® L LUMILUX 55W/830	A+	61
DULUX® L LUMILUX 55W/835	A+	61
DULUX® L LUMILUX 55W/840	A+	61
DULUX® L LUMILUX 55W/865	A	61
DULUX® L LUMILUX 55W/880	A	61
DULUX® L LUMILUX 80W/830	A	88
DULUX® L LUMILUX 80W/840	A	88
DULUX® L LUMILUX 80W/880	A	88

<sup>15</sup> According to Regulation (EU) No 874/2012 of July 12, 2012  
Edition 08.2013. Subject to change without notice. Errors and omissions excepted. Always make sure to use the most recent release.  
LP LPD MK

## Logistic Data

Description	EAN 10	EAN 40	Packaging Unit
DULUX® L LUMILUX 18W/827	4050300010748	4050300242163	10
DULUX® L LUMILUX 18W/830	4050300010731	4050300242149	10
DULUX® L LUMILUX 18W/835	4050300295893	4050300295909	10
DULUX® L LUMILUX 18W/840	4050300010724	4050300242125	10
DULUX® L LUMILUX 24W/827	4050300010779	4050300242200	10
DULUX® L LUMILUX 24W/830	4050300010762	4050300242187	10
DULUX® L LUMILUX 24W/835	4050300295916	4050300295923	10
DULUX® L LUMILUX 24W/840	4050300010755	4050300242330	10
DULUX® L LUMILUX 24W/67	4050300354033	4050300354040	10
DULUX® L LUMILUX 36W/827	4050300010809	4050300242279	10
DULUX® L LUMILUX 36W/830	4050300010793	4050300242248	10
DULUX® L LUMILUX 36W/835	4050300295930	4050300295947	10
DULUX® L LUMILUX 36W/840	4050300010786	4050300242224	10
DULUX® L LUMILUX 36W/865	4050300328263	4050300139364	10
DULUX® L LUMILUX 36W/880	4008321185891	4008321185907	10
DULUX® L LUMILUX 40W/827	4050300322285	4050300315867	10
DULUX® L LUMILUX 40W/830	4050300298894	4050300298900	10
DULUX® L LUMILUX 40W/835	4050300295954	4050300295961	10
DULUX® L LUMILUX 40W/840	4050300279909	4050300279916	10
DULUX® L LUMILUX 40W/865	4050300592008	4050300592015	10
DULUX® L LUMILUX 40W/880	4008321185914	4008321185921	10
DULUX® L LUMILUX 55W/827	4050300315881	4050300315898	10
DULUX® L LUMILUX 55W/830	4050300298917	4050300298924	10
DULUX® L LUMILUX 55W/835	4050300295978	4050300295985	10
DULUX® L LUMILUX 55W/840	4050300295879	4050300295886	10
DULUX® L LUMILUX 55W/865	4050300553900	4050300553917	10
DULUX® L LUMILUX 55W/880	4008321185938	4008321185945	10
DULUX® L LUMILUX 80W/830	4050300665467	4050300665474	10
DULUX® L LUMILUX 80W/840	4050300665481	4050300665498	10
DULUX® L LUMILUX 80W/880	4008321185952	4008321185969	10

Edition 08.2013. Subject to change without notice. Errors and omissions excepted. Always make sure to use the most recent release.

LP LPD MK

7

## Lamp/ECG System Combination

Lamp	ECG	EAN 10 ECG	Luminous flux @25°C [lm]	System power [W]	I <sub>N</sub> [A]	Power Factor ECG [λ]	System luminous efficacy [lm/W]	Length [mm]	Width [mm]	Height [mm]	Distance between holes [mm]	T <sub>a</sub> [°C]
<b>DULUX® L LUMILUX® 18 W</b>	QTi DALI 1x18/220-240 DIM	4050300870403	1200	18	0.08	0.97	67	360.00	30.00	21.00	350	+10...+50 °C
	QTi DALI 2x18/220-240 DIM	4050300870526	2400	37	0.16	0.97	65	425.00	30.00	21.00	415	+10...+50 °C
	QTi DALI 3x18/220-240 DIM	4008321069979	3600	53.6	0.24	0.98	67	360.00	40.00	21.00	350	+10...+50 °C
	QTi DALI 4x18/220-240 DIM	4008321070050	4800	69.3	0.31	0.98	69	360.00	40.00	21.00	350	+10...+50 °C
	QTi 1x18/220-240 DIM	4050300870601	1200	19	0.08	0.97	63	360.00	30.00	21.00	350	+10...+50 °C
	QTi 2x18/220-240 DIM	4050300870960	2400	37	0.16	0.97	65	425.00	30.00	21.00	415	+10...+50 °C
	QTi 3x18/220-240 DIM	4008321069931	3600	53.6	0.24	0.98	67	360.00	40.00	21.00	350	+10...+50 °C
	QTi 4x18/220-240 DIM	4008321070012	4800	69.3	0.31	0.98	69	360.00	40.00	21.00	350	+10...+50 °C
	QTP-DL 1x18-24	4008321117861	1200	18	0.085	0.95	67	239.00	30.00	28.00	229	-20...+50 °C
	QTP-DL 2x18-24	4008321117885	2400	36	0.16	0.98	67	239.00	40.00	28.00	229	-20...+50 °C
	QTP-M 1x26-42	4008321329134	1150	18	0.09	0.88 c	64	103.00	67.00	31.00	110	-20...+50 °C
	QTP-M 2x26-32	4008321329158	2300	36	0.16	0.95	64	123.00	79.00	33.00	129.5	-20...+50 °C
	QT-ECO 1x18-24/220-240 L	4050300660417	1200	18	0.13	0.92	67	150.00	22.00	22.00	140.00	-15...+50 °C
	QT-ECO 1x18-24/220-240 S	4050300638560	1200	18	0.13	0.92	67	80.00	40.00	22.00	72...75	-15...+50 °C
<b>DULUX® L LUMILUX® 24 W</b>	QTi DALI 1x14/24/220-240 DIM	4050300870380	1600	25	0.11	0.98	64	360.00	30.00	21.00	350	+10...+50 °C
	QTi DALI 2x14/24/220-240 DIM	4050300870861	3600	49	0.22	0.98	73	423.00	30.00	21.00	415	+10...+50 °C
	QTi DALI 3x14/24/220-240 DIM	4008321069955	5400	73	0.32	0.99	74	360.00	40.00	21.00	350	+10...+50 °C
	QTi DALI 4x14/24/220-240 DIM	4008321070036	7200	98	0.43	0.99	73	360.00	40.00	21.00	350	+10...+50 °C
	QTi DALI-T/E 1x18-57 DIM	4008321060808	1200	26	0.12	0.96	46	123.00	79.00	33.00	129.5	+10...+50 °C
	QTi DALI-T/E 2x18-42 DIM	4008321060822	2400	51	0.22	0.97	47	123.00	79.00	33.00	129.5	+10...+50 °C
	QTi 1x14/24/220-240 DIM	4050300870922	1800	25	0.11	0.98	72	360.00	30.00	21.00	350	+10...+50 °C
	QTi 2x14/24/220-240 DIM	4050300870946	3600	49	0.22	0.98	73	423.00	30.00	21.00	415	+10...+50 °C
	QTi 3x14/24/220-240 DIM	4008321069719	5400	73	0.32	0.99	74	360.00	40.00	21.00	350	+10...+50 °C
	QTi 4x14/24/220-240 DIM	4008321069993	7200	98	0.43	0.99	73	360.00	40.00	21.00	350	+10...+50 °C
	QTP-DL 1x18-24	4008321117861	1800	26	0.115	0.95	69	239.00	30.00	28.00	229	-20...+50 °C
	QTP-DL 2x18-24	4008321117885	3600	49	0.22	0.98	73	239.00	40.00	28.00	229	-20...+50 °C
	QTP-M 1x26-42	4008321329134	1750	25	0.12	0.94 c	70	103.00	67.00	31.00	110	-20...+50 °C
	QTP-M 2x26-32	4008321329158	3500	48	0.22	0.97	73	123.00	79.00	33.00	129.5	-20...+50 °C
	QT-M 2x26-42/220-240 S	4008321110022	3500	54	0.23	0.97	65	123.00	79.00	33.00	129.5	-20...+50 °C
	QT-ECO 1x18-24/220-240 L	4050300660417	1600	22.5	0.16	0.60	71	150.00	22.00	22.00	140	-15...+50 °C
QT-ECO 1x18-24/220-240 S	4050300638560	1600	22.5	0.16	0.60	71	80.00	40.00	22.00	72...75	-15...+50 °C	

Edition 08.2013. Subject to change without notice. Errors and omissions excepted. Always make sure to use the most recent release.

LP LPD MK



Lamp	ECG	EAN 10 ECG	Luminous flux @25°C [lm]	System power [W]	I <sub>N</sub> [A]	Power Factor ECG [λ]	System luminous efficacy [lm/W]	Length [mm]	Width [mm]	Height [mm]	Distance between holes [mm]	T <sub>a</sub> [°C]
<b>DULUX® L LUMILUX® 36 W</b>	QTi DALI 1x36/220-240 DIM	4050300870427	2900	36	0.16	0.97	81	360.00	30.00	21.00	350	+10...+50 °C
	QTi DALI 2x36/220-240 DIM	4050300870885	5800	69	0.31	0.98	84	423.00	30.00	21.00	415	+10...+50 °C
	QTi 1x14/24/21/39 GII	4008321383334	2750	34	0.15	0.96	81	360.00	30.00	21.00	350	-20...+50 °C
	QTi 1x36/220-240 DIM	4050300870625	2900	36	0.16	0.97	81	360.00	30.00	21.00	350	+10...+50 °C
	QTi 2x14/24/21/39 GII	4008321383396	5600	68	0.29	0.98	82	360.00	30.00	21.00	350	-20...+50 °C
	QTi 2x36/220-240 DIM	4050300870755	5800	69	0.31	0.98	84	425.00	30.00	21.00	415	+10...+50 °C
	QTP-DL 1x36-40	4008321117908	2900	35	0.17	0.99	83	239.00	30.00	28.00	229	-20...+50 °C
	QTP-DL 2x36-40	4008321117922	5800	68	0.33	0.99	85	280.00	40.00	28.00	270	-20...+50 °C
	QTP-M 1x26-42	4008321329134	2800	35	0.16	0.97	80	103.00	67.00	31.00	110	-20...+50 °C
	QTP-M 2x26-32	4008321329158	5600	68	0.30	0.97	53	123.00	79.00	33.00	129.5	-20...+50 °C
	QT-M 2x26-42/220-240 S	4008321110022	5600	70	0.30	0.97	80	123.00	79.00	33.00	129.5	-20...+50 °C
QT-M 2x26-42/220-240 S	4008321110022	5600	70	0.30	0.97	80	123.00	79.00	33.00	129.5	-20...+50 °C	
<b>DULUX® L LUMILUX® 40 W</b>	QTi DALI 1x21/39/220-240 DIM	4050300870366	3500	41.8	0.18	0.98	84	360.00	30.00	21.00	350	+10...+50 °C
	QTi DALI 2x21/39/220-240 DIM	4050300870489	7000	82	0.36	0.97	85	425.00	30.00	21.00	415	+10...+50 °C
	QTi DALI-T/E 1x18-57 DIM	4008321060808	3500	45	0.2	0.98	78	123.00	79.00	33.00	129.5	+10...+50 °C
	QTi DALI-T/E 2x18-42 DIM	4008321060822	7000	87	0.38	0.99	80	123.00	79.00	33.00	129.5	+10...+50 °C
	QTi 1x14/24/21/39 GII	4008321383334	3500	44	0.19	0.98	80	360.00	30.00	21.00	350	-20...+50 °C
	QTi 1x21/39/220-240 DIM	4050300870564	3500	41.8	0.18	0.98	84	360.00	30.00	21.00	350	+10...+50 °C
	QTi 2x14/24/21/39 GII	4008321383396	7000	86	0.37	0.98	81	360.00	30.00	21.00	350	-20...+50 °C
	QTi 2x21/39/220-240 DIM	4050300870694	7000	82	0.36	0.97	85	423.00	30.00	21.00	415	+10...+50 °C
	QTP-DL 1x36-40	4008321117908	3600	45	0.21	0.99	80	239.00	30.00	28.00	229	-20...+50 °C
	QTP-DL 2x36-40	4008321117922	7300	90	0.21	0.99	81	280.00	40.00	28.00	270	-20...+50 °C
QTP-M 1x26-42	4008321329134	3500	43	0.19	0.98	81	103.00	67.00	31.00	110	-20...+50 °C	
<b>DULUX® L LUMILUX® 55 W</b>	QTi DALI 1x28/54/220-240 DIM	4050300870809	4800	59	0.26	0.99	81	360.00	30.00	21.00	350	+10...+50 °C
	QTi DALI 2x28/54/220-240 DIM	4050300870502	9600	115	0.51	0.99	83	423.00	30.00	21.00	415	+10...+50 °C
	QTi 1x28/54/220-240 DIM	4050300870588	4800	59	0.26	0.99	81	360.00	30.00	21.00	350	+10...+50 °C
	QTi 1x35/49/80 GII	4008321383372	4800	59	0.26	0.99	81	360.00	30.00	21.00	350	-20...+50 °C
	QTi 2x28/54/220-240 DIM	4050300870717	9600	115	0.51	0.99	83	423.00	30.00	21.00	415	+10...+50 °C
	QTP5 1x54	4008321329394	4450	54	0.24	0.98	82	280.00	30.00	21.00	270	-20...+50 °C
	QTP5 2x54	4008321329097	8900	110	0.48	0.99	81	360.00	30.00	21.00	350	-20...+50 °C
	QTP-DL 1x55 GII	4008321390158	4800	59	0.26	0.99	81	280.00	30.00	21.00	270	-20...+50 °C
	QTP-DL 2x55 GII	4008321390172	9600	116	0.51	0.99	83	360.00	30.00	21.00	350	-20...+50 °C
	QTP-FC 1x55	4008321537041	4700	60	0.26	0.99	78	103.00	67.00	31.00	350	-20...+50 °C
QTP-FQ 2x80	4050300825564	9600	122	0.59	0.99	79	423.00	30.00	21.00	415	-20...+50 °C	

Edition 08.2013. Subject to change without notice. Errors and omissions excepted. Always make sure to use the most recent release.  
LP LPD MK

Lamp	ECG	EAN 10 ECG	Luminous flux @25°C [lm]	System power [W]	I <sub>N</sub> [A]	Power Factor ECG	System luminous efficacy [lm/W]	Length [mm]	Width [mm]	Height [mm]	Distance between holes [mm]	T <sub>a</sub> [°C]
<b>DULUX® L LUMILUX® 80 W</b>	QTi DALI 1x35/49/80/220-240 DIM	4050300870342	6000	88	0.4	0.99	68	360.00	30.00	21.00	350	+10...+50 °C
	QTi DALI 2x35/49/80/220-240 DIM	4050300870441	12000	165	0.74	0.99	73	423.00	30.00	21.00	415	+10...+50 °C
	QTi 1x35/49/80 GII	4008321383372	6000	85	0.38	0.98	71	360.00	30.00	21.00	350	-20...+50 °C
	QTi 1x35/49/80/220-240 DIM	4050300870540	6000	88	0.4	0.99	68	360.00	30.00	21.00	350	+10...+50 °C
	QTi 2x35/49/80/220-240 DIM	4050300870540	12000	165	0.74	0.99	73	360.00	30.00	21.00	350	+10...+50 °C
	QTP5 1x80	4008321329059	6000	86	0.38	0.98	70	360.00	30.00	21.00	350	-20...+50 °C
	QT-FQ 2x80	4050300825564	12300	175	0.76	0.99	70	423.00	30.00	21.00	415	-20...+50 °C

For more information on ECG refer to <http://www.osram.com/ecg>

For more information on System Guarantee refer to <http://www.osram.com/guarantee>

In case of lamp breakage: [www.osram.com/brokenlamp](http://www.osram.com/brokenlamp)

For more information technical Information see Technical guide. Free download at [www.osram.com](http://www.osram.com)