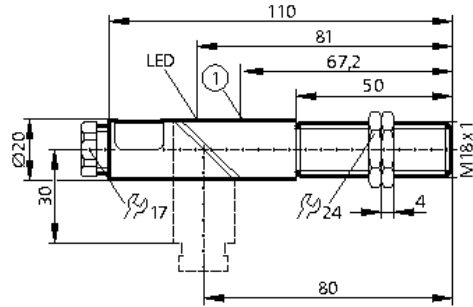


Capacitive proximity switches

KG5041


KGE3008-BPKG/NI
Plastic thread M18 x 1
Terminals

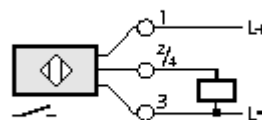
Sensing range 8mm [nf]
adjustable
non-flush mountable



CE

1: with pot.

Electrical design	DC PNP
Output	normally open
Operating voltage [V]	10...36 DC
Current rating [mA]	250
Short-circuit protection	Yes (non-latching)
Reverse polarity protection	yes
overload protection	yes
Voltage drop [V]	< 2.5
Current consumption [mA]	< 10 (24 V); < 15 (36V)
Real sensing range [mm]	8 ± 10 %
Operating distance [mm]	0...6.5
Switch-point drift [% / Sr]	-15...15
Hysteresis [% / Sr]	1...15
Switching frequency [Hz]	50
Correction factors	water = 1 / glass approx. 0.4 / ceramics approx. 0.2 / PVC approx. 0.2
Operating temperature [°C]	-25...80
Protection	IP 65 
EMC	IEC 1000-4-2 / EN 61000-4-2: 15 kV air discharge / 8 kV contact discharge IEC 1000-4-3 / EN 61000-4-3: 10V/m, 80...1000MHz IEC 1000-4-4 / EN 61000-4-4: 4kV coupling pliers IEC 1000-4-6 / EN 61000-4-6: 10V / 0,15...80MHz
Housing material	PBT; PC
Function display Switching status LED	yellow
Connection	terminals up to 2.5 mm ² ; cable diameter 4.5...10 mm, cable gland M16 x 1.5
Wiring	



Accessories (included)

2 lock nuts, screwdriver