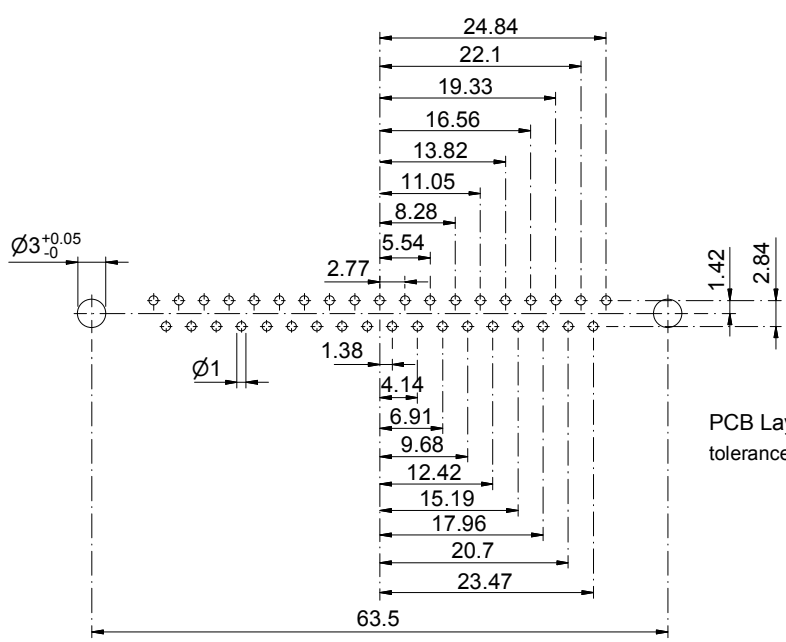
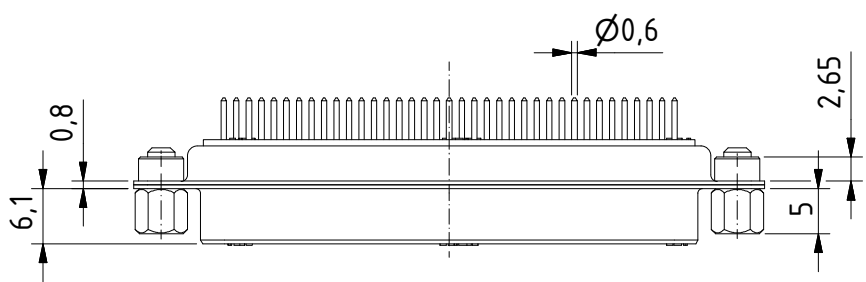
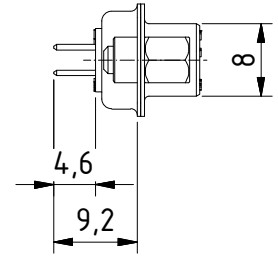
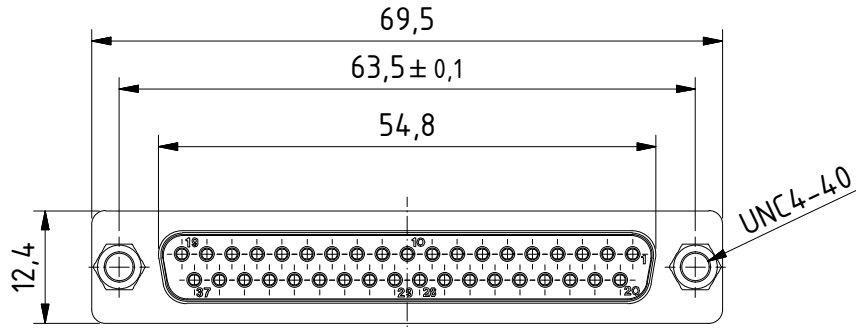
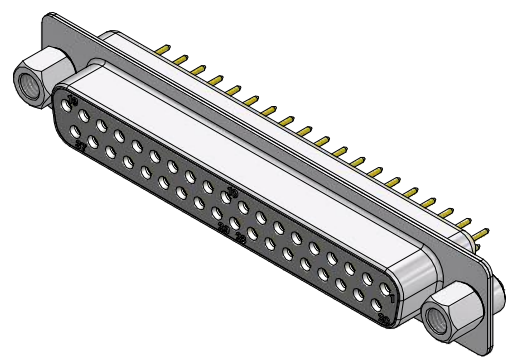


RoHS compliant



PCB Layout tolerances +/-0.1



MATERIALS

- Insulator: Thermoplastic UL 94-V-0 white
- Contact: Copper alloy
- Contact finish: Quality class 2
- Shell: steel tin plated

CHARAKTERISTICS

- Working voltage: 125V
- Current rating: 5A
- Contact resistance: max. 10mΩ - DIN41652
- Insulation resistance: >5GΩ
- Temperature range: -55° to +125°C

General tolerances (Deltron standard)	
size in mm	
> 0.5 up to 3	> 30 up to 120
> 3 up to 6	> 6 up to 30
tolerances	
±0.1	±0.2 ±0.3

modification	Rev.	Rev.	Rev.	DE005899		
	Rev.	Rev.	Rev.	part no.		
DTS37SY/2M85UNB5	1.2:1 scale	drawn	14.06.2013	mr		
		checked				
		approved				
 Industrie NeuhoF 8c CH-3422 Kirchberg				K053818 drawing no.		