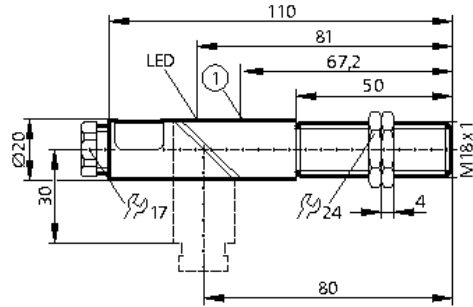


Capacitive proximity switches

**KG5040**

KGE2008-FRKG/NI  
Plastic thread M18 x 1  
Terminals

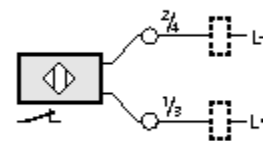
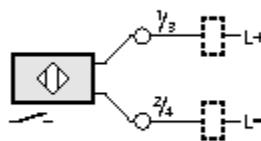
Sensing range 8mm [nf]  
adjustable 2.5...8 mm  
non-flush mountable



CE

1: with pot.

<b>Electrical design</b>	<b>DC PNP/NPN</b>
<b>Output</b>	<b>normally open / closed programmable</b>
Operating voltage [V]	10...55 DC
Current rating [mA]	400 (...50 °C) / 200 (...80 °C)
Minimum load current [mA]	4
Short-circuit protection	Yes (non-latching)
overload protection	yes
Voltage drop [V]	< 4.6
Leakage current [mA]	< 1
Real sensing range [mm]	8 ± 10 %
Operating distance [mm]	0...6.5
Switch-point drift [% / Sr]	-15...15
Hysteresis [% / Sr]	1...15
Switching frequency [Hz]	50
Correction factors	water = 1 / glass approx. 0.4 / ceramics approx. 0.2 / PVC approx. 0.2
Operating temperature [°C]	-25...80
Protection	IP 65 ☐
EMC	IEC 1000-4-2 / EN 61000-4-2: 15 kV air discharge / 8 kV contact discharge IEC 1000-4-3 / EN 61000-4-3: 10 V/m, 80...1000 MHz IEC 1000-4-4 / EN 61000-4-4: 2 kV coupling pliers IEC 1000-4-6 / EN 61000-4-6: 10 V / 0.15...80 MHz
Housing material	PBT
Function display Switching status LED	red
Connection	terminals up to 2.5 mm <sup>2</sup> ; cable diameter 4.5...10 mm, cable gland M16 x 1.5
Wiring	



Accessories (included)

2 lock nuts, screwdriver