

	400	398	395	285	275	800	780	770	750
	•	•	•	•	•				

### Plunge Router Attachment – Model 335

Converts your corded Rotary Tool into a plunge router.



- Clear base.
- Two depth stops.
- Includes edge guide and circle guide.
- Rout circles, parallel to edge, signs and inlay work and decorative edges.



Routs decorative edges.



Routs accurate circles.

### Grout Removal Attachment – Model 568

For use on wall and floor grout!

- Multiple slide depth adjustment
- 30° angle for controlled cutting
- Guides 180° apart to keep bit centered between tiles
- Easy screw on mounting
- Excellent cutting visibility
- Includes 1/16" Grout Removal Bit – Model 569. Made of solid carbide, the bit will remove both wall and floor grout.

	400	398	395	285	275	800	780	770	750
	•	•	•	•	•	•	•	•	•



- Also available: Model 570 1/8" Grout Removal Bit (Not included with 568)



### Cutting Kits

Provide controlled cutting in a variety of materials.

- Allows for sturdy controlled cuts with maximum visibility.
- Easy depth adjustment. Set to the correct cutting depth for the material you are working on.

- 1 Multi position depth adjustment
- 2 Easy screw on mounting
- 3 Open arch offers excellent cutting visibility



### Multipurpose Cutting Kit – Model 565

Includes cutting guide, 2 drywall cutting bits for cutting drywall for electrical boxes & air vents, and 1 multipurpose cutting bit for making cuts in ceiling tile, wood, plastic, fiberglass, drywall, laminate and vinyl siding.

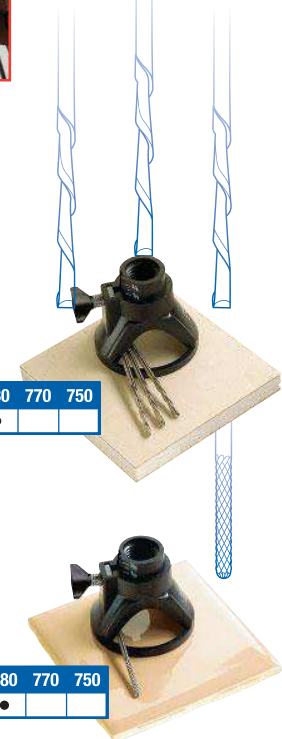
	400	398	395	285	275	800	780	770	750
	•	•	•	•	•	•	•	•	•

### Tile Cutting Kit – Model 566

Includes cutting guide and (1) tile cutting bit for shaping ceramic wall tile around fixtures or plumbing pipes.

Not for use on ceramic floor tile.

	400	398	395	285	275	800	780	770	750
	•	•	•	•	•	•	•	•	•



TOOLS NOT INCLUDED WITH ATTACHMENTS

NEW	400	398	395	285	275	800	780	770	750
	•	•	•	•	•	•	•	•	•

# DREMEL WORK STATION™

## Model 220

Functions as an articulating drill press that rotates 90°, rotary tool holder, and flex-shaft tool stand.

- Detents click the tool in place in 15° increments from vertical to horizontal.
- “Crow’s Nest” provides on-board storage for Dremel accessories.
- Durable, die-cast aluminum base.



Available February 2005

NEW	400	398	395	285	275	800	780	770	750
	•	•	•	•	•	•	•	•	•

## Tool Holder and Base – Model 2217

- Firmly holds rotary tools in any position.
- Control workpiece (hands free) for better results.



## Right Angle

### Attachment – Model 575

Enhances the versatility of your Dremel rotary tool by allowing you to get into hard-to-reach areas.

- Ball bearings and spiral bevel gears provide smooth and cool operation
- Coupling system allows you to orient the attachment on your tool in 12 different directions
- Quick connect system easily attaches to your rotary tool in place of the housing cap, no wrenches required
- Compact, durable design for those “hard-to-reach” places



NEW	400	398	395	285	275	800	780	770	750
	•	•	•	•	•	•	•	•	•

NEW	400	398	395	285	275	800	780	770	750
	•	•	•	•	•	•	•	•	•

## Lawn Mower and Garden Tool Sharpener – Model 675

The fastest, easiest, safest way to sharpen your lawn mower blade and other garden tools.

- Guide provides optimum sharpening angle.
- Sharpens most rotary lawn mower blades.
- Easy to install and use.
- Long-wearing ABS plastic material.
- Comfortable ergonomic design.
- Includes grinding stone, #932 (see p.29).



NEW	400	398	395	285	275	800	780	770	750
	•	•	•	•	•	•	•	•	•

## Chain Saw Sharpening Attachment – Model 1453

- Easily sharpen the dulllest of chains.



### Contents

- Sharpening attachment
- 3 Sharpening Stones Nos. 453, 454 and 455. (see p. 28)
- Gauge
- 2 Spacers
- Wrench
- Instruction manual



## DREMELite™ – Model 677

The new attachment that lights your way!

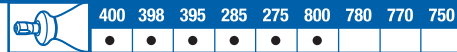
- Provides visibility in dimly lit areas and increases light on detailed projects.
- Easy to attach, no confusing wires or connections.
- Two extremely long lasting and durable LED lights.
- Uses a magnet threaded onto the tool’s output shaft to provide a clever and simple power source.

NEW	400	398	395	285	275	800	780	770	750
	•	•	•	•	•	•	•	•	•



TOOLS NOT INCLUDED WITH ATTACHMENTS

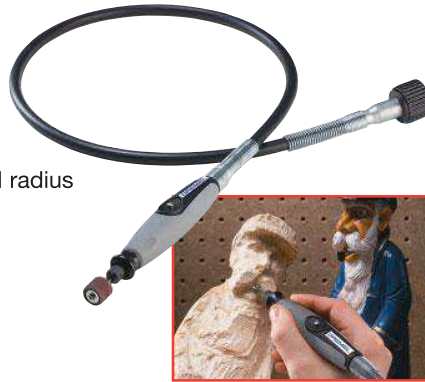
## Attachments



### *Flex Shaft Attachment – Model 225*

Ideal for hard to reach places and fine detail work.

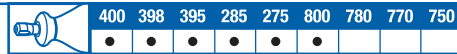
- Quick connect attach system.
- 36" long cable with new 5" bend radius provides more flexibility.
- Comfort grip hand piece.
- Integrated shaft lock button.
- Holds up to 1/8" shank.
- Works with collet system and Dremel chuck.



### *Flex Shaft Tool Holder – Model 2222*

Conveniently suspends any Dremel Rotary Tool above your workbench.

- Perfect for use with the Flex-Shaft attachment.
- Clamps to workbenches up to 1-3/4" thick, and adjusts in height from 12" to 42".
- Store extra bits on base.



## Miscellaneous Attachments



### **Foot Speed Control – Model 221**

- Pressure sensitive pedal provides speed control.
- Variable speed from 0 to full RPM.
- 6 Amp. capacity.
- Use only with single speed rotary tools 275 and 732.



### **D-Vise – Model 2214**

- Vise swivels 360° and tilts 180° in all directions.
- Padded jaws open to 2-1/2".



### *Shaper/Router Table – Model 231*

Converts your corded Rotary Tool into a bench mounted wood shaper.

- Features an adjustable fence and large 8" x 6" worktable.
- Slot, groove, sand and trim edges.



## Attachments

### *Mini Saw Attachment – Model 670*

Works great on wood and all wood-like materials.

- Quick connect system attaches to your rotary tool in seconds.
- Make clean, straight perpendicular cuts up to 1/4" thick.
- Clear housing provides better visibility.
- Lower guard retracts when not in use to ensure safety.
- Includes blade 546 shown below.



### *Rip/Crosscut Blade – Model 546*



- Long-lasting steel blade.
- 1-1/4" diameter, 48 teeth.
- One blade per package.
- For use with Mini Saw Attachment only.



### **Deluxe Window Storage Case – Model 2610999673**

Accessories not included.



### **Tool Storage Case – Model 15009**

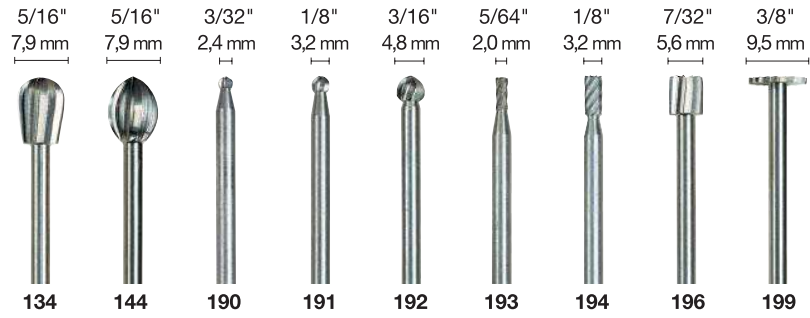
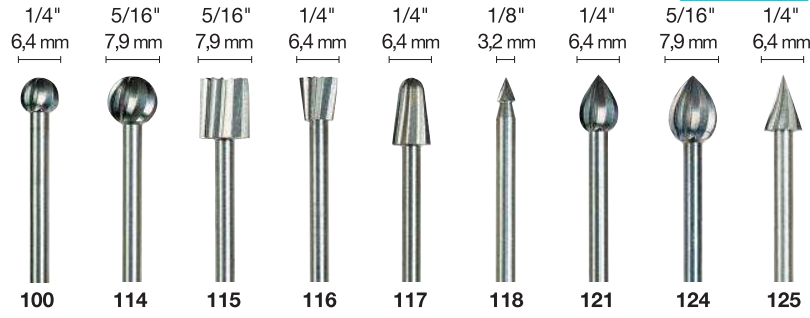
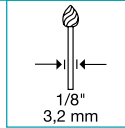


### **Wrench – Model 90962**

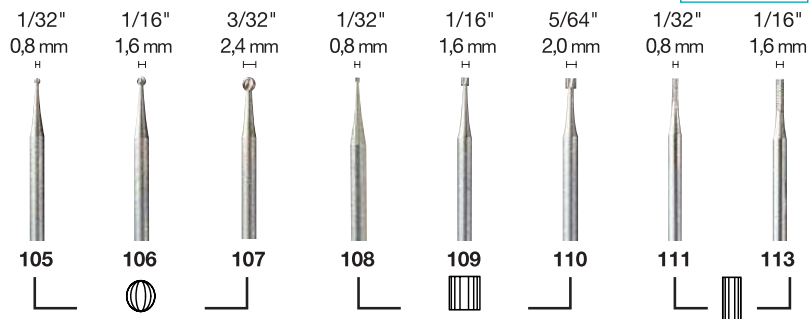
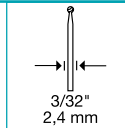
- For ease of changing bits

**TOOLS NOT INCLUDED WITH ATTACHMENTS**

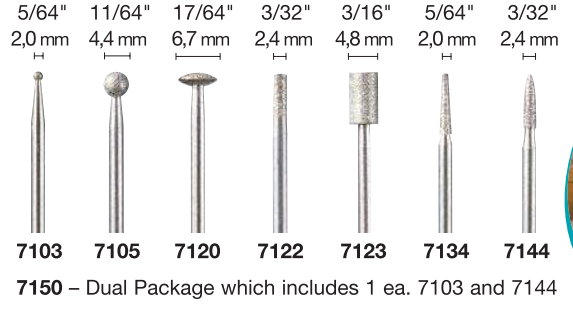
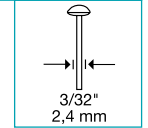
**HIGH SPEED CUTTERS** High speed cutters can be used for shaping, hollowing, grooving, slotting, making tapered holes in soft metals, plastics and woods. No. 199 cutter can be used to make small slits.



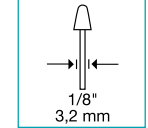
**ENGRAVING CUTTERS** Quality cutters for detail engraving, carving, routing in wood, fiberglass, plastic and soft metals.



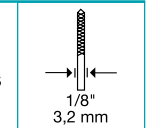
**DIAMOND WHEEL POINTS** For fine detail work, engraving, carving, touch-up and finishing. Use on wood, jade, ceramic, glass, hardened steel, semi precious stones and other hard materials. Bits are covered with diamond particles.



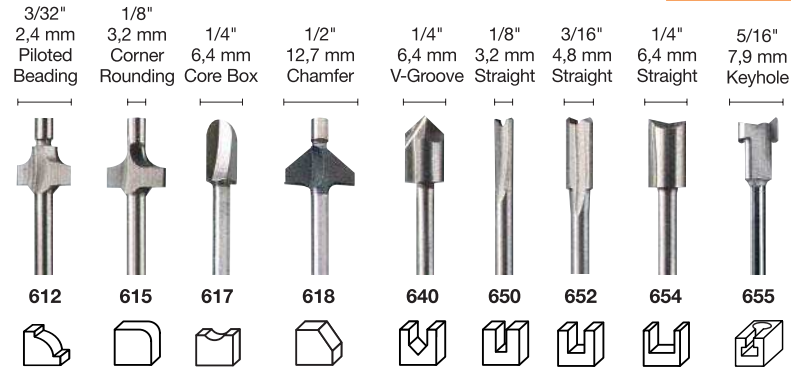
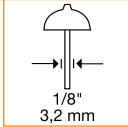
**STRUCTURED TOOTH TUNGSTEN CARBIDE CUTTERS** Fast cutting sharp teeth for greater material removal. Use on fiberglass, wood, plastic, epoxy, rubber, laminates, particle board and ceramic tile.



**TUNGSTEN CARBIDE CUTTERS** Use for shaping, smoothing and material removal. Use on hardened steel, stainless steel, cast iron, nonferrous metals, fired ceramics, plastics, hardwoods and other hard materials. Not for use with floor tile.

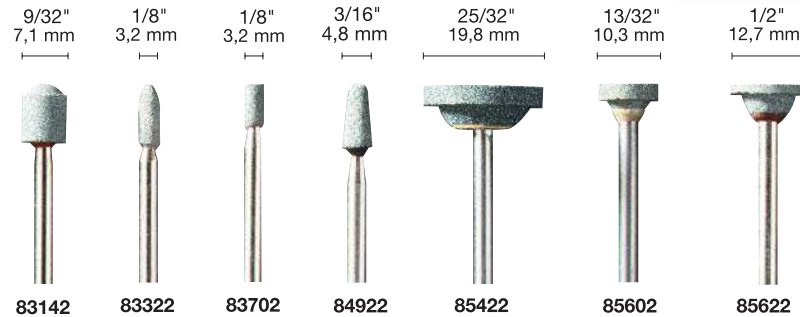
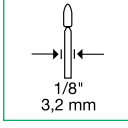


**ROUTER BITS** For routing, inlaying, and mortising in wood and other soft materials. Use with Dremel No. 330 Router Attachment, No. 335 Plunge Router Attachment, and No. 231 Shaper/Router Table. Made of high speed steel.

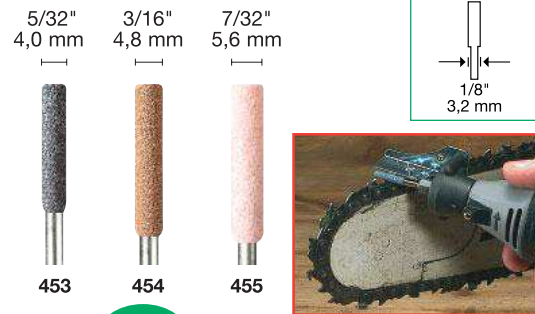


## Grinding/Sharpening

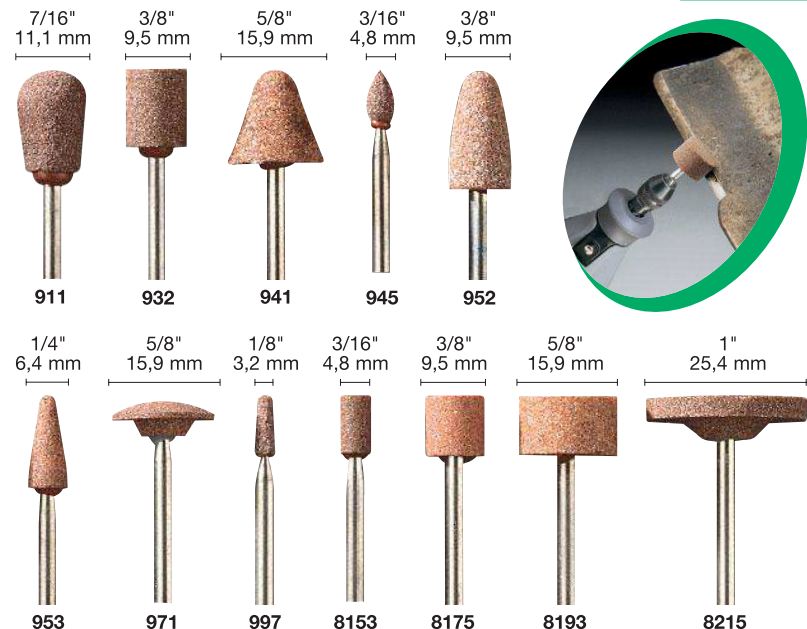
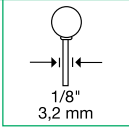
**SILICON CARBIDE GRINDING STONES (BLUE / GREEN)**  
Designed to work well on stone, glass, ceramics, porcelain and non-ferrous metals.



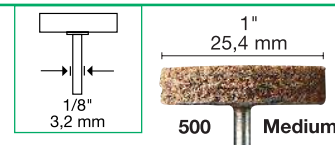
**CHAIN SAW SHARPENING STONES** Precision ground for quick, easy sharpening of chain saw blades. Each package contains 2 stones.



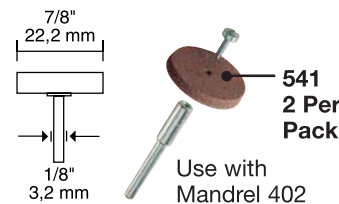
**ALUMINUM OXIDE GRINDING STONES (ORANGE / BROWN)**  
Use on metals, castings, welded joints, rivets and rust. Ideal for sharpening, de-burring and general purpose grinding of most materials.



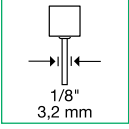
**ALUMINUM OXIDE ABRASIVE WHEEL**  
Perfect for cleaning, de-burring, removing rust, and polishing of most metals, including stainless steel.



**ALUMINUM OXIDE GRINDING WHEEL** Use for de-burring, rust removal and general purpose grinding.



**ABRASIVE POINTS**  
Abrasive points are great for finishing work and light de-burring. They can be used for paint and rust removal without removing any of the base material.



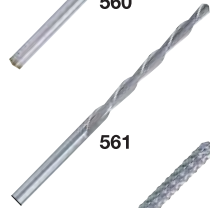
**DRYWALL, MULTIPURPOSE, TILE AND GROUT ACCESSORIES**

**Drywall Cutting Bit – Model 560\***  
Gives you fast clean cuts in drywall.



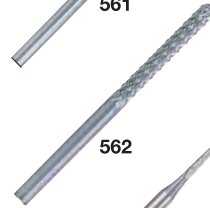
560

**Multipurpose Cutting Bit – Model 561\***  
Cuts hardwood up to 3/8" and softwood up to 5/8". Also cuts plastic, fiberglass, drywall, laminate, aluminum & vinyl siding.



561

**Tile Cutting Bit – Model 562\***  
Cuts ceramic wall tile, cement board, and plaster. (Not for use on floor tile.)



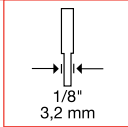
562

**Carbide Grout Removal Bits – Model 569 and Model 570†**  
Ideal for replacing wall and floor grout or removing grout to replace broken tiles.



569

570



\* Use with cutting guide (page 21)  
† Use with grout removal guide (page 20)

**RIP/CROSSCUT BLADE – Model 546**

For use with Mini Saw Attachment #670 only (page 22). Thickness .023" (0,6 mm)



**DIAMOND WHEEL – Model 545**

Great for cutting, sawing and carving of hard materials such as marble, concrete, brick, porcelain, ceramics, hard epoxy, soft and hard wood. Mandrel #402 is included. Thickness .023" (0,6 mm)



545

**Do not run in excess of 20,000 RPM.**



**CUT-OFF WHEELS**

For slicing and cutting metal, wood and plastic. Cut-Off Wheels make it easy to cut or slot bolts, screws, sheet metal, thin wood and plastic. The cut-off wheel cuts only along its edge. Do not attempt to sand or cut curved holes with them.

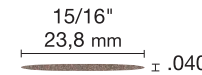


Use 409, 420, 426, 456 and 540 with Mandrel 402



409

36 per pack



420

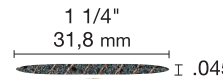
20 per pack



540

5 per pack

**FIBERGLASS REINFORCED CUT-OFF WHEELS**



426

5 per pack

426A  
12 per pack



426B  
Cut-Off Wheel Dispenser  
20 per pack



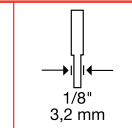
456\*

402

456 package includes 10 Cut-Off Wheels and a washer set. Washer set only used with 456. Mandrel #402 is sold separately.

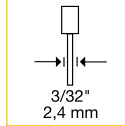
**CUTTING/SHAPING WHEEL Model 542 (CARBIDE)**

For cutting and shaping on soft and hard woods, fiberglass, plastics and laminates. Do not use on metal. Mandrel included. Thickness .070" (1,8 mm)



542

**RUBBER POLISHING POINTS – Blue points** for finishing and polishing all ferrous metals. Removes small burrs and scratch marks left by grinding and sanding, and cleans and defines grooves. Also effective on many stones and ceramics.



1/4"  
6,4 mm



461

1/4"  
6,4 mm



462

1/4"  
6,4 mm

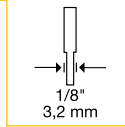


463



**POLISHING ACCESSORIES**

Ideal for polishing metals and plastics. Using polishing compound No. 421 with wheels produces a high luster.



**Felt 1/2" dia.**  
6 per pack



414

**Felt 3/8" dia.**



422

Use 414, 422 and 429 with Mandrel 401



**Cloth 1" dia.**



423

**Felt 1" dia.**



429

Use 423 and 429 with Mandrel 402



**Emery Impregnated**



425

Use 425 with Mandrel 402



**POLISHING COMPOUND – Model 421**

Use with felt or cloth accessories to polish metals and plastics. Compound will remove a dull oxidized film and/or light surface imperfections. A solid compound.



**POLISHING WHEEL – Model 520**

Use for light stock removal and high luster polishing of metals and hard plastics. The wheel is impregnated with a silicon carbide abrasive and lubricant, eliminating the need for polishing compound.



520

**ABRASIVE BRUSH – Model 538**

Dremel's strongest and longest lasting brush. Extra-thick nylon bristles are coated with an abrasive grit for material removal on the toughest jobs. Use for de-burring metal or wood and for removing rust and paint.



538

**Do not run brush in excess of 20,000 RPM.**

3/4"  
19,1 mm



403

1/2"  
12,7 mm



404

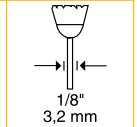
1/8"  
3,2 mm



405

**BRISTLE BRUSHES**

Use for light de-burring, cleaning, polishing of silverware, jewelry and other precious metals; can use with polishing compound.



3/4"  
19,1 mm



428

1/2"  
12,7 mm



442

1/8"  
3,2 mm



443

**CARBON STEEL BRUSHES**

Versatile brush for removing rust and corrosion, polish metal surfaces. De-burr and blend surface junctures, clean electrical components.

3/4"  
19,1 mm



530

1/2"  
12,7 mm



531

1/8"  
3,2 mm



532

**STAINLESS STEEL BRUSHES**

Stainless steel brushes do not cause "after-rust" when used on corrosive-resistant materials like pewter, aluminum and stainless steel.

3/4"  
19,1 mm



535

1/2"  
12,7 mm



536

1/8"  
3,2 mm



537

**BRASS BRUSHES**

Brass brushes are non-sparking and softer than steel. They will not scratch soft metals like gold, copper, brass.

**Do not run brushes in excess of 15,000 RPM.**