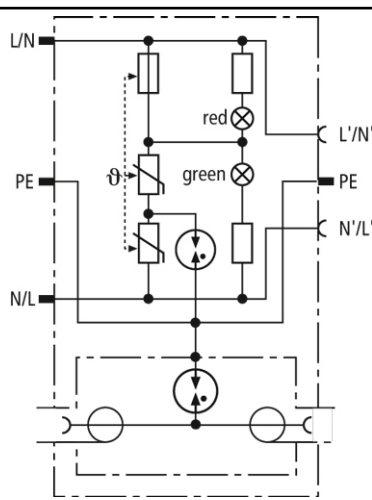


Dimension drawing DPRO TV



Protection of the data side: Gas discharge tube discharges possible overvoltage to PE



Protection of television receivers and radios with a modern design

Combined surge protection for the energy and antenna side of television receivers, radios or video players. Visual operating state/fault indication and earthed pin.

Adapter from F-sockets to IEC connectors included

For use according to the lightning protection zones concept at boundaries 2 - 3 and higher

With earthed pin

DPRO 230 SE TV

SPD class	TYPE2
Max. continuous operating d.c. voltage [U _{cl}]	60 V
C2 Nominal discharge current (8/20 μs) line-shield (PE) [I _n]	5 kA
Voltage protection level line-shield (PE) for 1 kV/μs C3 [U _{p1}]	≤ 600 V
Insertion loss 0-2400 MHz	≤ 1.5 dB
Operating temperature range	-25°C...+40°C
Degree of protection	IP 20
Connection type input / output	F socket / F socket
Earthing via	protective conductor connection
Enclosure material	thermoplastic, UL 94 V-2
Colour	pure white
Test standards	IEC 61643-21
Protection for the power side	DPRO 230 SE TV
SPD according to EN 61643-11	Type 3
SPD according to IEC 61643-1	Class III
Nominal a.c. voltage [U _N]	230 V
Max. continuous operating a.c. voltage [U _{cl}]	255 V
Nominal load current [I _l]	16 A
Nominal discharge current (8/20 μs) L-N [I _n]	3 kA
Nominal discharge current (8/20 μs) L/N-PE [I _n]	5 kA [(L+N)-PE]
Combined impulse (1.2/50 μs - 8/20 μs) L-N [U _{oc1}]	6 kV
Combined impulse (1.2/50 μs - 8/20 μs) L/N-PE [U _{oc1}]	10 kV [(L+N)-PE]
Voltage protection level L-N [U _{p1}]	≤ 1.25 kV
Voltage protection level L/N-PE [U _{p1}]	≤ 1.5 kV
Response time L-N [t _{A1}]	≤ 25 ns
Response time L/N-PE [t _{A1}]	≤ 100 ns
Max. supply-side overcurrent protection	16 A gL/gG or B 16 A
Short-circuit withstand capability for max. supply-side overcurrent protection	6 kA _{rms} a.c.
Temporary overvoltage (TOV) L-N [U _{T1}]	335 V/5 sec
Temporary overvoltage (TOV) L/N-PE (1) [U _{T1}]	400 V/5 sec
Temporary overvoltage (TOV) L/N-PE (2) [U _{T1}]	1200 V+U ₀ /200 m

Indication of the disconnecter	red light
Operating state indication	green light
For mounting on	plug-in system with earth contact DIN 49440/DIN 49441
Test standards	IEC 61643-11
Ordering information	
Type	DPRO 230 SE TV
Part No.	909 305
Packing unit	1 pc

We reserve the right to modify design, technology, dimensions, weights and materials according to technical progress. Illustrations are non-binding. Pictures may differ from the modules described.