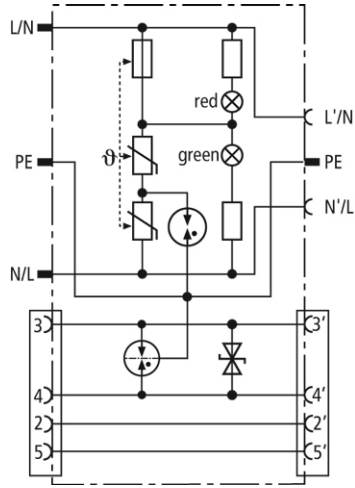


Dimension drawing DPRO NT



Protection of the data side: Also suitable for digital interfaces due to the low-capacitance circuit design



Protection of telecommunication terminal equipment with a modern design

Accessory for RJ 11/12 and TAE connectors included

For use according to the lightning protection zones concept at boundaries 2 - 3 and higher

With earthed pin

Combined surge protection for the energy and data side of a digital network termination NT. Also suitable for telephones and fax machines. Visual operating state/fault indication and earthed pin.

DPRO 230 SE NT	
SPD class	TYPE2P2
Max. continuous operating d.c. voltage [U _{C1}]	180 V
C2 Nominal discharge current (8/20 μs) per line C2 [I _{n1}]	2.5 kA
Voltage protection level line-line for I _{n1} C2 [U _{p1}]	≤ 300 V
Voltage protection level line-PE for I _{n1} C2 [U _{p1}]	≤ 500 V
Voltage protection level line-line for 1 kV/μs C3 [U _{p1}]	≤ 300 V
Voltage protection level line-PE for 1 kV/μs C3 [U _{p1}]	≤ 500 V
Bandwidth line-line [f _{C1}]	50 MHz
Operating temperature range	-25°C...+40°C
Degree of protection	IP 20
Connection type input / output	RJ12 socket / RJ12 socket
Pinning	3/4
Earthing via	via protective conductor connection
Enclosure material	thermoplastic, UL 94 V-2
Colour	pure white
Test standards	IEC 61643-21
Protection for the power side	DPRO 230 SE NT
SPD according to EN 61643-11	Type 3
SPD according to IEC 61643-1	Class III
Nominal a.c. voltage [U _{N1}]	230 V
Max. continuous operating a.c. voltage [U _{C1}]	255 V
Nominal load current [I _{L1}]	16 A
Nominal discharge current (8/20 μs) L-N [I _{n1}]	3 kA
Nominal discharge current (8/20 μs) L/N-PE [I _{n1}]	5 kA [(L+N)-PE]
Combined impulse (1.2/50 μs - 8/20 μs) L-N [U _{oc1}]	6 kV
Combined impulse (1.2/50 μs - 8/20 μs) L/N-PE [U _{oc1}]	10 kV [(L+N)-PE]
Voltage protection level L-N [U _{p1}]	≤ 1.25 kV
Voltage protection level L/N-PE [U _{p1}]	≤ 1.5 kV
Response time L-N [t _{A1}]	≤ 25 ns
Response time L/N-PE [t _{A1}]	≤ 100 ns
Max. supply-side overcurrent protection	16 A gL/gG or B 16 A

Short-circuit withstand capability for max. supply-side overcurrent protection	6 kA _{rms} a.c.
Temporary overvoltage (TOV) L-N [U_{T1}	335 V/5 sec
Temporary overvoltage (TOV) L/N-PE (1) [U_{T1}	400 V/5 sec
Temporary overvoltage (TOV) L/N-PE (2) [U_{T1}	1200 V+U ₀ /200 m
Indication of the disconnecter	red light
Operating state indication	green light
For mounting on	plug-in system with earth contact DIN 49440/DIN 49441
Test standards	IEC 61643-11

Ordering information

Type	DPRO 230 SE NT
Part No.	909 315
Packing unit	1 pc

We reserve the right to modify design, technology, dimensions, weights and materials according to technical progress. Illustrations are non-binding. Pictures may differ from the modules described.