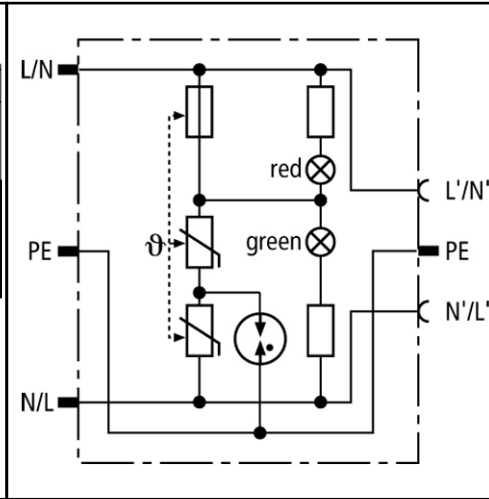


Dimension drawing DPRO 230 SE F



Basic circuit diagram DPRO 230 SE F



Surge protection with monitoring device and disconnecter

Visual operating state (green) and fault indication (red)

Enhanced safety due to distinctive Y protective circuit

DPRO 230 SE F: Surge protective adapter with integrated mains filter and pin earthing

DPRO 230 SE F	
SPD according to EN 61643-11	Type 3
SPD according to IEC 61643-1	Class III
Nominal a.c. voltage [U _N]	230 V
Max. continuous operating a.c. voltage [U _C]	255 V
Nominal load current a.c. [I _L]	10 A
Nominal discharge current (8/20 μs) [I _n]	3 kA
Total discharge current (8/20 μs) [L+N-PE] [I _{total}]	5 kA
Combined impulse [U _{OC}]	6 kV
Combined impulse [L+N-PE] [U _{OC total}]	10 kV
Voltage protection level [L-N] [U _{p1}]	≤ 1.25 kV
Voltage protection level [L/N-PE] [U _{p1}]	≤ 1.5 kV
Response time [L-N] [t _{A1}]	≤ 25 ns
Response time [L/N-PE] [t _{A1}]	≤ 100 ns
Max. mains-side overcurrent protection	16 A gL/gG or B 16 A
Short-circuit withstand capability for mains-side overcurrent protection with 16 A gL/gG	6 kA _{rms}
Temporary overvoltage (TOV) [L-N] [U _{T1}]	335 V / 5 sec.
Temporary overvoltage (TOV) [L/N-PE] [U _{T1}]	400 V / 5 sec.
Temporary overvoltage (TOV) [L+N-PE] [U _{T1}]	1200 V + U ₀ / 20
TOV characteristics [L-N]	withstand
TOV characteristics [L/N-PE]	withstand
TOV characteristics [L+N-PE]	failure
Fault indication	red light
Operating state indication	green light
Number of Ports	1
Operating temperature range [T _{U1}]	-25°C...+40°C
For mounting on	plug-in system with earth contact
Enclosure material	thermoplastic, pure white, UL 94 V-2
Location category	indoor
Degree of protection	IP 20
Dimension	128 x 71 x 40 mm
Mains filter	acc. to DIN VDE 0565 Part 3
Attenuation for f = 1 MHz, balanced	≥ 40 dB
Attenuation for f = 1 MHz, unbalanced	≥ 30 dB

Ordering information

Type	DPRO 230 SE F
Part No.	909 245
Packing unit	1 pc

We reserve the right to modify design, technology, dimensions, weights and materials according to technical progress. Illustrations are non-binding. Pictures may differ from the modules described.