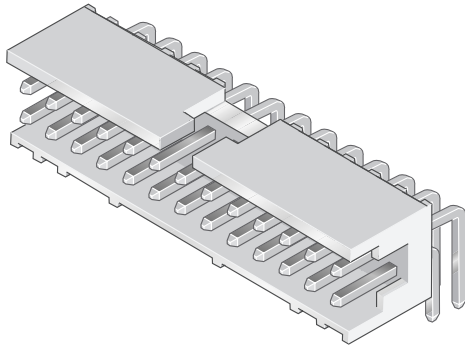




- New 4-wall design prevents mis-mating
- Selective plating



Technical Data

Physical

Housing: High temperature, cream-colored thermoplastic
 Flammability rating: UL 94 V-0
 Pin: Phosphor-bronze
 Plating: Gold over 1.27 µm nickel



Electrical Performance

Current rating: 2 A continuous
 Insulation resistance: 1000 MΩ min.
 Contact resistance: 25 mΩ max.
 Dielectric withstanding voltage: 650 V
 Voltage rating: 200 V

Mechanical Performance

Mating cycles (durability): 100

Operating Temperature

-40°C to +105°C

Packaging

Standard: Tubes (04 to 06 pos. packed in box)

Reference Information

File no. E66906
 File no. LR46923
 Product drawing: 98464
 Product specification: DPS-12-011 and GES-12-163
 Specifications subject to change without notice.

Mating Data

	Page
■ Minitek™ ctw contacts and housings	48
■ Minitek™ IDC receptacles	54

Processing Information

Compatible with wave, vapor-phase, and IR reflow soldering processes

Typical Applications

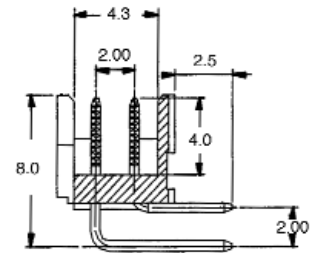
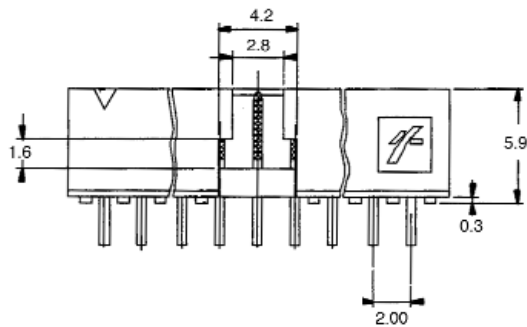
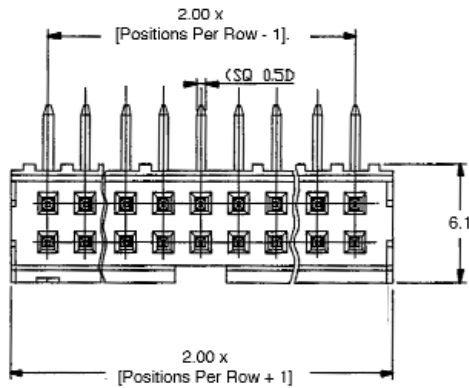
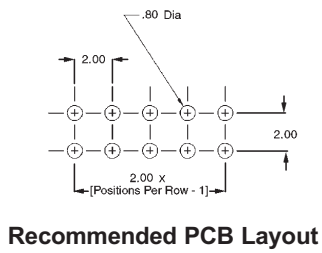


Part Number



04 to 50 (Double Row)

G = 0,76 µm Gold on mating area,
2-6 µm Tin-Lead on solder side
F = Gold flash



Dimensions in mm