



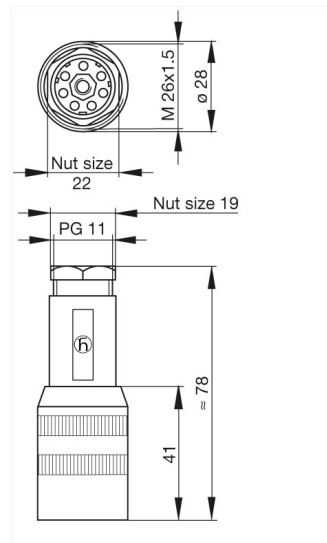
## N6R EF

Industrial Connectors: Circular connectors NR-series: Straight cable socket

### Product description

Description	Straight cable socket with strain relief
Type	N6R EF
Order No.	931 720-001
Type of contact	female
Number of contacts	6 + PE
Cable gland	PG 11
Cable diameter	7 mm to 9 mm
Conductor size	max. 1.5 mm <sup>2</sup>
Standard	DIN 43 651
Housing Color	grey

### Drawing



### Technical data

Pin dimensions	1.6 mm
Rated voltage	250 V AC/DC
Rated current	10 A
Contact resistance	≤ 5 mΩ
Type of termination	crimp
Suitable cables	0.5 mm <sup>2</sup> to 1.5 mm <sup>2</sup>

### Material

Contact surface material	Ag
Contact bearer material	PET
Housing material	PET

### Environmental conditions

Protection class (IEC 60529)	IP 65
Temperature range	-40 °C to +90 °C

### Packing unit

Packaging unit 10 pieces

**Scope of delivery and accessories**

Scope of delivery 1 cable sockets, not assembled, in polythene bag, with assembly instructions

Accessories to order separately can be plugged into N6R AM,  
N6R AM..., N6R BM..., N6R DM  
coding NC6,  
order no. 831 002-011  
contacts: RBC 162