

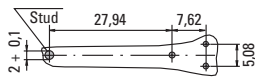
Holder / No. 810

PC Mount, Shocksafe 5x20mm / 6.3x32mm Fuses

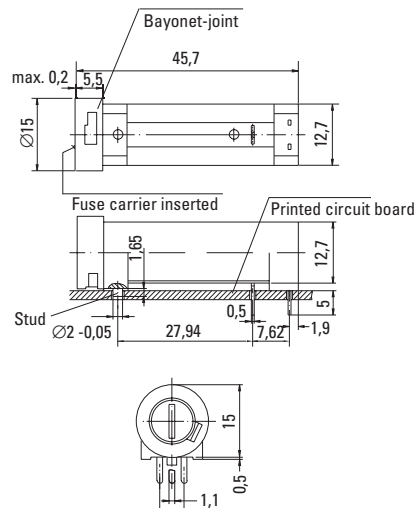
Specifications



Horizontal / 3-Pin



Holes in the printed circuit board: 1,3 +0,1



Standard

IEC 60127-6
UL 512
CSA C22.2. No.39

Approvals

VDE: License No. 118611
SEMKO: Certificate No. 9932039
UL Recognized: File No. E 70164
CSA Certified: File No. 47574



Mounting

(3) Solder pins 0.5mm x 1.1mm and plastic stud
The pins spaced at 5.08mm form a common connection.

Protection Class & Category

IP 40 (IEC 60529)
PC2 (IEC 60127-6)

Materials

Holder/Cap: Black Thermoplastic
Polyamide PA 6.6, UL 94V0
Metal Parts: Copper alloy,
corrosion protected
Terminals: Solderable, tinned

Electrical Data (23°C)

Rated Voltage: 250V
Rated Current: 6.3A (VDE/SEMKO)
16A (UL/CSA)
Rated Power: 2.5W (VDE/SEMKO)

Operating Temperature

-25°C to +70°C (consider de-rating)

Climatic Test

-25°C/+70°C/21 days (IEC 60068-2-1...3)

Stock Conditions

+10°C to +60°C
relative humidity ≤ 75% yearly average,
without dew, maximum value for 30 days - 95%

Vibration Resistance

24 cycles at 15 min. each (IEC 60068-2-6)
10 - 60Hz at 0.75mm amplitude
60 - 2000Hz at 10g acceleration

Contact Resistance

≤ 5mΩ

Dielectric Strength

> 1.5 kV

Impulse Voltage

4 kV, 50 Hz, 1 min., dry

Insulation Resistance

> 10³ MΩ (500 VDC, 1 min.)

Solderability

235°C, 3 sec. (Wave)
350°C, 1 sec. (Soldering Iron)

Soldering Heat Resistance

260°C, 5 sec. (IEC 60068-2-20)

Minimum Cross Section

Conducting path - 0.2mm²

Marking

810, 250V, Approvals

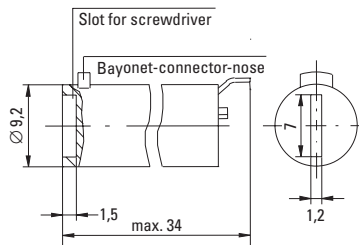
Unit Weight

5.4g (Holder) / 2.5g (Cap)

Cap / No. 815



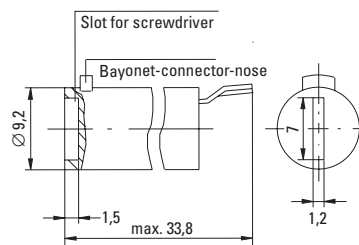
For 5x20mm Fuses



Cap / No. 816



For 6.3x32mm Fuses



Order Information

Packaging

Bulk (100 pcs.)

Order Numbers

Holder	No. 810 0000 000
Cap, 5x20mm	No. 815 0000 000
Cap, 6.3x32mm	No. 816 0000 000

WebLinks

Data Sheet

www.wickmann.com/products/810.pdf

Approval Certificates

www.wickmann.com/approvals

FaxBack Document # 506