

- Early entry, single-beam contacts provide long wiping action for reliable electrical contact
- Center key polarization and friction latch options
- Single-piece design provides one of the lowest applied costs in the industry

## Technical Data

### Physical

Housing: Black thermoplastic  
 Flammability rating: UL 94 V-0  
 Contact: Phosphor-bronze  
 Plating: Gold over 1.27 µm nickel

### Electrical Performance

Current rating: 1 A continuous  
 Insulation resistance: 1000 MΩ min.  
 Contact resistance: 30 mΩ max.  
 Dielectric withstanding voltage: 650 V

### Mechanical Performance

Mating cycles (durability): 100

### Operating Temperature

-40°C to +105°C

### Packaging

Tubes

### Reference Information

File no. E66906  
 File no. LR46923  
 Product drawing: 89947 or 89361  
 Product specification: BUS-12-115

Specifications subject to change without notice.

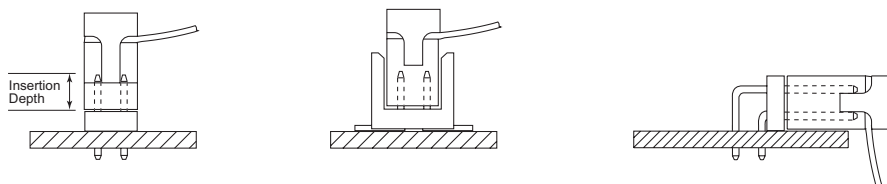
## Mating Data

	Page
■ Minitek™ Unshrouded straight headers	38
■ Minitek™ Unshrouded right angle headers	40
■ Minitek™ Shrouded straight headers	44
■ Minitek™ Shrouded right angle headers	46

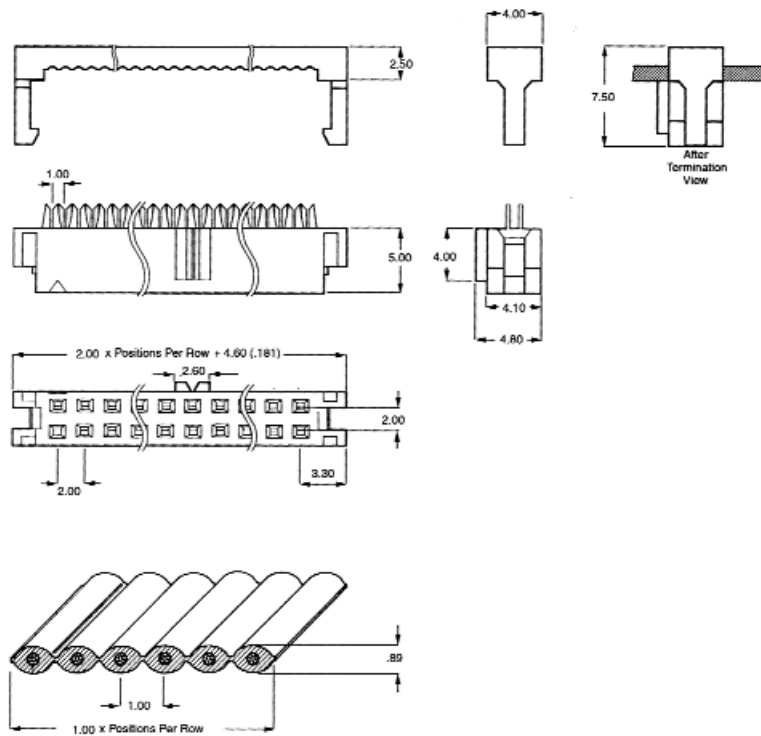
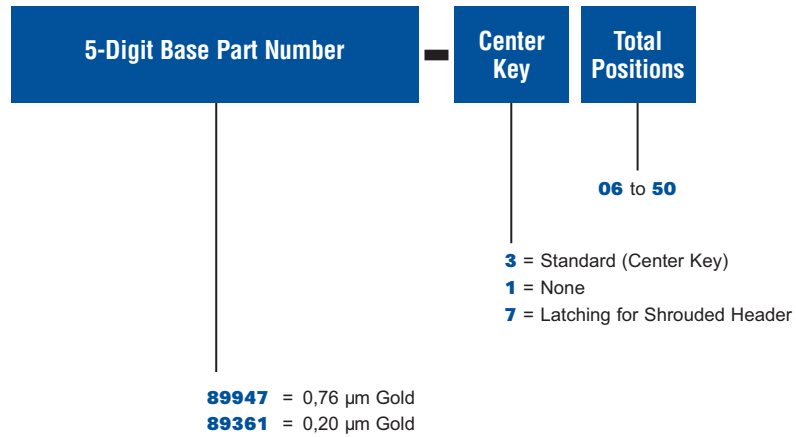
## Insertion Depth

- 2.55 mm min. to 4.57 mm max.  
[provides .381 mm wipe]

## Typical Applications



Part Number



Dimensions in mm