

<p>CAN terminator M12 Female 5p</p> <p>Connector M12 with bus termination</p> <p>5-pole female</p> <p>straight</p>	
--	--

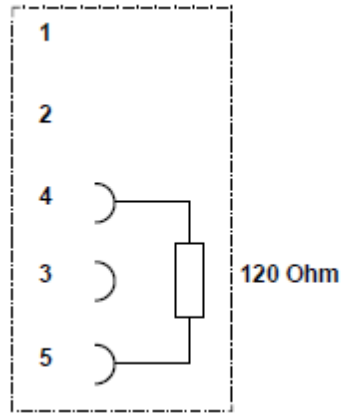
CAN terminator M12 Female 5p	
Connector	
Type	Female
Usage	120Ω bus termination (CAN)
Material	Zinc pressure die casting surface Ni4-7
Size	M12
Number of poles	5
Mounting	straight
Temperature range	-25° . . . +85°C
Ingress protection	IP67
Certifications	
UL Listed	no
Electrical data	
Voltage rating	max. 24 V DC
Impuls voltage rating	0,8 kV
Current rating	max. 4A every contact
Environmental	
Resistance	material resistance should always be checked in the application involved

General specifications v20150611	
	Female
	120Ω bus termination (CAN)
	Zinc pressure die casting surface Ni4-7
	M12
	5
	straight
	-25° . . . +85°C
	IP67
	no
	max. 24 V DC
	0,8 kV
	max. 4A every contact
	material resistance should always be checked in the application involved

## CAN terminator M12 Female 5p

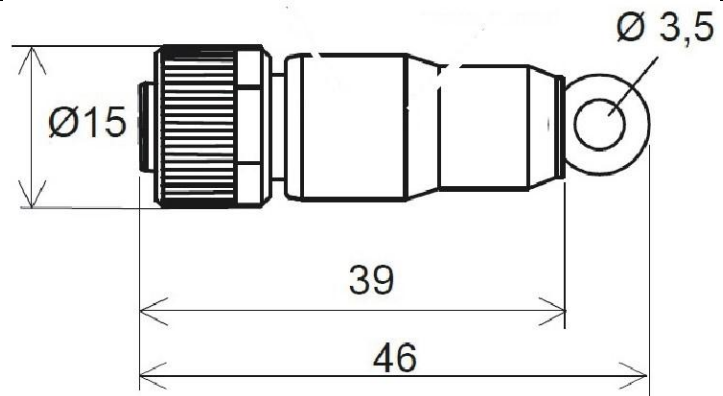
Contact layout

### Connectivity



## CAN terminator M12 Female 5p

### Mechanical dimensions (indicative only)



## CAN terminator M12 Female 5p

Order code

10194

Description

CAN terminator M12F 5p