

# DIP Series



The patent displays with assembling benefit

240x128  
EA DIP240J-7KLW

**DIP240-7LWTP**

Please touch

Fonts	Text	Graphic
4 C A 3 B	HORI- ZONTAL	VERTI- CAL
Bitmap	Bargraph	Menu

Graphic 128x64  
EA DIP128-6N5LW

2x8  
EA DIPS082-HNLED

2x8  
EA DIPS082-HN

Graphic 122x32  
EA DIP122-6NLED

128x64  
EA DIP128J-6N5LA

1x8: EA DIP081-CHNLED

2x16  
EA DIP162-DHNLED

4x20  
EA DIP204-4HNLED

4x20  
EA DIP204B-4NLW

**ELECTRONIC  
ASSEMBLY**

making things easy

## SMART MOUNTING!

Assembling is done within 2 steps only: **place - solder - ready**. There are no more cables, screws or pin header necessary. Economy is double: first in development because there's no need to design any mechanical fixing; later during production you'll save time piece by piece for non-mounting the display: There's nothing to screw on anymore !

## LARGE DISPLAY - LESS DIMENSIONS

DIP modules are using the available space optimal. Or do you know any other display with well readable 5.05~11.48mm character height with such compact outline dimension? Traditional displays do have smaller type size at much bigger physical outline.

How does it work? DIP modules do not need these senseless pcb border with mounting holes and through hole connector.

## COMPATIBLE

All modules from DIP series do have standard controller built in. Character displays are compatible to HD 44780 in pinout and software and graphic displays do have SED 1520, KS 0107/0108 or T6963 compatible controller onboard. By the way modules of same series can replace each other because pinout and mechanical dimensions are compatible - adequate software supposed. Later on an upgrade from character to graphic display is possible at any time. Most of DIP module series are featured with a LED backlight in yellow/green, blue-white, amber or black&white.

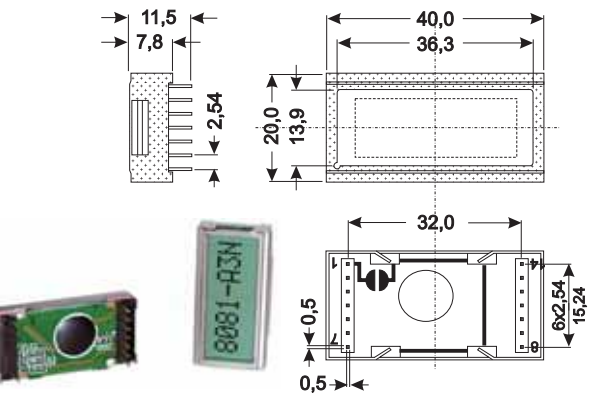
## LOW POWER

Power consumption without backlight is typ. 1mA@5V and incl. blue-white backlight 60~160mA only.

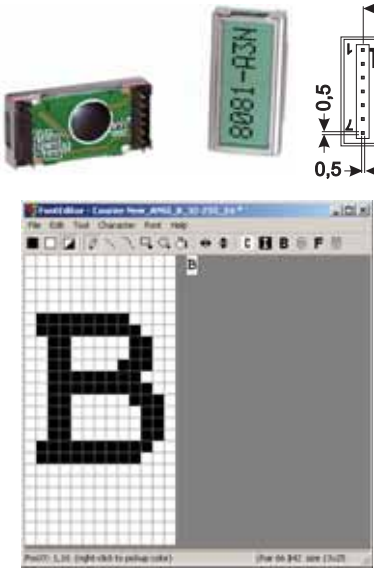
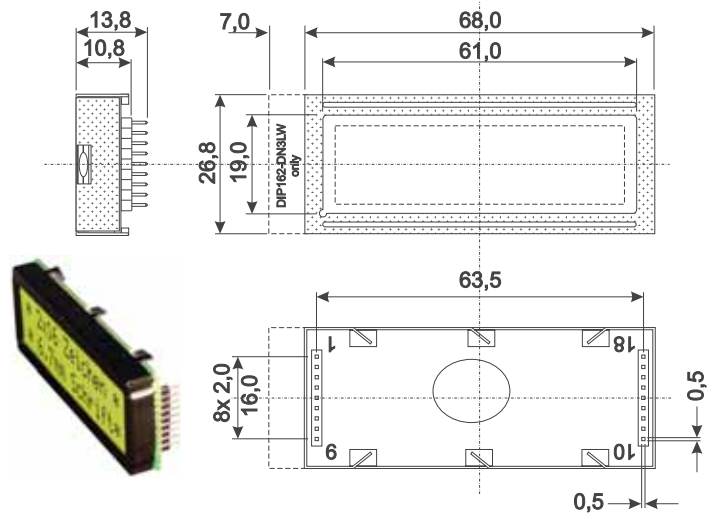
All modules at a glance				
Dimension	Characte	Char. size	Backlight	Ordering code
40x20mm	1x8	7.15 mm	none	EA 8081-A3N
	2x8	5.01 mm	none	EA DIP5082-HN
68x27mm / 75x27mm	1x8	11.48 mm	yellow/green	EA DIP5082-HNLED
	1x8	11.48 mm	yellow/green	EA DIP081-CHNLED
	2x16	6.68 mm	yellow/green black&white	EA DIP162-DHNLED EA DIP162J-DN3LW
	2x16	6.68 mm	black&white blue-white	EA DIP162-DN3LW EA DIP162-DN3LW
	4x20	3.73 mm	yellow/green black&white	EA DIP204-4HNLED EA DIP204J-4NLW
75x46mm	122x32	Graphic	blue-white black&white	EA DIP204B-4NLW EA DIP122-5HNLED EA DIP122B-5NLW EA DIP122J-5NLA
	128x64	Graphic	black&white blue-white amber	EA DIP128J-6N5LW EA DIP128-6N5LW EA DIP128J-6N5LA
	4x20	6.45 mm	black&white blue-white	EA DIP204J-6NLW EA DIP204B-6NLW
113x70mm	240x128	Graphic	black&white blue-white amber	EA DIP240J-7KLW EA DIP240B-7KLW EA DIP240J-7KLA



128x64 dots  
75x46mm



all dimensions are in mm



## OPTIONAL: CHARACTER SET AND FONT EDITOR

As the graphic displays do not include any character set, ELECTRONIC ASSEMBLY does provide a FontEditor for Windows including some ready made character sets. It is available with the part number EA USBSTICK-FONT. With that individual character sets can be created easily (e.g. Cyrillic, Greek, Arabic). An export function for C- and Basic is built in.

## NEED MORE INFORMATIONS ?

At our web site you'll find more, including all user manuals: [www.lcd-module.com](http://www.lcd-module.com)

Please fax an offer for.....  
 Comany name .....  
 Your name .....  
 Street .....  
 Postal Code / City.....  
 Phone / Fax .....

Part number / Quantity

**ELECTRONIC ASSEMBLY** GmbH  
 making things easy

Zeppelinstrasse 19  
 D-82205 Gilching  
 Phone +49-8105-778090  
 Fax +49-8105-778099  
[info@lcd-module.de](mailto:info@lcd-module.de)

Printed November 2010  
 Printing error reserved !