



Mini contactor relay,3NO/1NC,AC operated

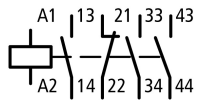


Powering Business Worldwide™

Part no. **DILER-31(24V50HZ)**

Article no. **010251**

Program

Product range			DILER Mini-contactors
Application			Contactors relays
Connection technique			Screw terminals
Conv. thermal current	I_{th}	A	10
Contacts			
N/O = Normally open			3 N/O
N/C = Normally closed			1 N/C
Contact sequence			
For use with			...DILE
Actuating voltage			24 V 50 Hz
Voltage AC/DC			AC operation
Code number and version of combination			
Distinctive number			31E
Auxiliary contact module			
Interlocked opposing contacts		31E	Conforms to EN 50011 - terminal markings of the coil according to EN 50005
Interlocked opposing contacts	02DILE	33	EN 50005
Interlocked opposing contacts	04DILE	35	EN 50005
Interlocked opposing contacts	11DILE	42	EN 50005
1 early-make contact, 1 late-break contact	11DDILE	42	EN 50005
Interlocked opposing contacts	13DILE	44	EN 50005
Interlocked opposing contacts	20DILE	51	EN 50005
Interlocked opposing contacts	22DILE	53	EN 50005
1 early-make contact, 1 late-break contact	22DDILE	53	EN 50005
Interlocked opposing contacts	31DILE	62	EN 50005
Interlocked opposing contacts	40DILE	71	EN 50005
Instructions Contact numbers to EN 50011 Coil terminal markings to EN 50005			

Approbationen

UL approval	Yes
CSA approval	Yes
Product Standards	IEC/EN 60947-4-1; UL 508; CSA-C22.2 No. 14-05; CE marking
UL File No.	E29184
UL CCN	NKCR
CSA File No.	012528
CSA Class No.	3211-03
NA Certification	UL listed, CSA certified
Specially designed for NA	No

General

Standards			IEC/EN 60947, VDE 0660, UL, CSA
Climatic proofing			Damp heat, constant, to IEC 60068-2-78; Damp heat, cyclical, to IEC 60068-2-30
Protection against direct contact when actuated from front (EN 90274)			Finger and back-of-hand proof
Terminal capacities		mm ²	
Pozidriv screwdriver		Size	2
Max. tightening torque		Nm	1.2

Contacts

Overvoltage category/pollution degree			III/3
Rated insulation voltage	U_i	V AC	690
Conv. thermal current	I_{th}	A	10

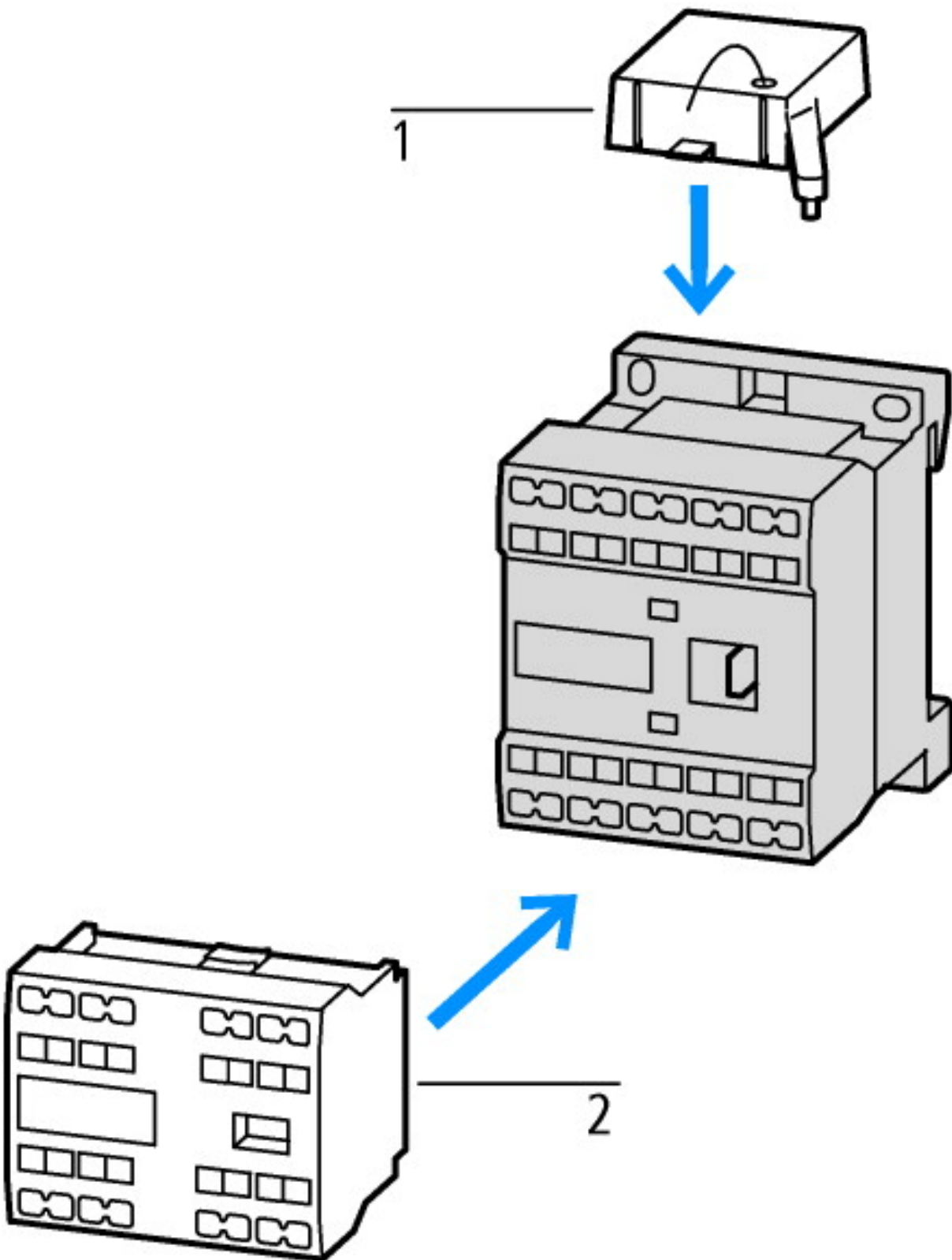
Magnet systems

Power consumption			
50 Hz	Pick-up	VA	25

Technical data according to ETIM 4.0

Connection type main circuit			Screw connection
Rated control voltage Us at DC		V	0
Rated control voltage Us at AC 60HZ		V	0
Rated control voltage Us at AC 50HZ		V	24
Number of auxiliary contacts as changeover contacts			0
Rated operation current Ie , 400 V		A	3
Number of auxiliary contacts as N/Cs			1
Number of auxiliary contacts as N/Os			3
Voltage type for actuation			AC
Number of auxiliary contacts as N/Os, leading			0
Number of auxiliary contacts as N/Cs, delayed switching			0

Characteristics



1: Suppressor
2: Auxiliary contact module

CAD-Data

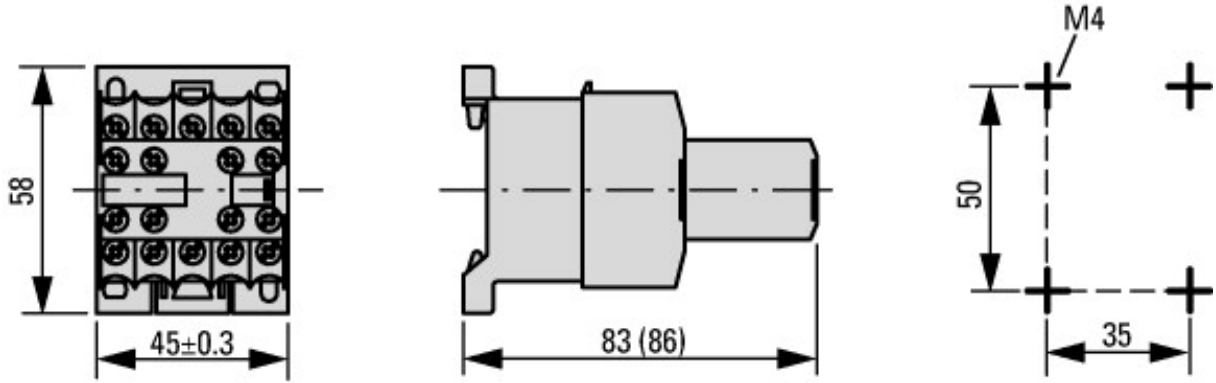
Product standards CAD data:

<http://eaton-moeller.partcommunity.com>

Dimensions



DILER-...
DILER-...-G



DILER-... + ...DILE
DILER-...-G + ...DILE

Additional product information (links)

IL03407009Z (IL03407009Z) Mini contactor relay

ftp://ftp.moeller.net/DOCUMENTATION/AWA_INSTRUCTIONS/IL03407009Z2010_10.pdf