

Other Information

To obtain the most recent and complete documentation for this demonstration board, including:

- User's Guide
- Board Description
- Board Schematics
- Source Code
- Application Examples
- Links to Web Seminars

please refer to the Microchip web site: www.microchip.com

AMERICAS	ASIA/PACIFIC	EUROPE
Atlanta - 678-957-9614	Australia - Sydney - 61-2-9868-6733	Austria - Wels - 43-7242-2244-39
Boston - 774-760-0087	China - Beijing - 86-10-8569-7000	Denmark - Copenhagen - 45-4450-2828
Chicago - 630-285-0071	China - Chengdu - 86-28-8665-5511	France - Paris - 33-1-69-53-63-20
Cleveland - 216-447-0464	China - Chongqing - 86-23-8980-9588	Germany - Munich - 49-89-627-144-0
Dallas - 972-818-7423	China - Hangzhou - 86-571-2819-3187	Italy - Milan - 39-0331-742611
Detroit - 248-538-2250	China - Hong Kong SAR - 852-2401-1200	Netherlands - Drunen - 31-416-690399
Indianapolis - 317-773-8323	China - Nanjing - 86-25-8473-2460	Spain - Madrid - 34-91-708-08-90
Los Angeles - 949-462-9523	China - Qingdao - 86-532-8502-7355	UK - Wokingham - 44-118-921-5869
Phoenix - 480-792-7200	China - Shanghai - 86-21-5407-5533	
Santa Clara - 408-961-6444	China - Shenyang - 86-24-2334-2829	
Toronto - 905-673-0699	China - Shenzhen - 86-755-8203-2660	
	China - Wuhan - 86-27-5980-5300	
	China - Xiamen - 86-592-2388138	
	China - Xian - 86-29-8833-7252	08/02/11
	China - Zhuhai - 86-756-3210040	
	India - Bangalore - 91-80-3090-4444	
	India - New Delhi - 91-11-4160-8631	
	India - Pune - 91-20-2566-1512	
	Japan - Yokohama - 81-45-471-6166	
	Korea - Daegu - 82-53-744-4301	
	Korea - Seoul - 82-2-554-7200	
	Malaysia - Kuala Lumpur - 60-3-6201-9857	
	Malaysia - Penang - 60-4-227-8870	
	Philippines - Manila - 63-2-634-9065	
	Singapore - 65-6334-8870	
	Taiwan - Hsin Chu - 886-3-5778-366	
	Taiwan - Kaohsiung - 886-7-536-4818	
	Taiwan - Taipei - 886-2-2500-6610	
	Thailand - Bangkok - 66-2-694-1351	



Microchip Technology Inc. • 2355 West Chandler Blvd. • Chandler, AZ 85224-6199

www.microchip.com

The Microchip name and logo and the Microchip logo are registered trademarks of Microchip Technology Incorporated in the U.S.A. and other countries. PICkit and PICtail is a trademark of Microchip Technology Incorporated in the U.S.A. and other countries. All other trademarks mentioned herein are property of their respective companies.

© 2011, Microchip Technology Incorporated, Printed in the U.S.A. All Rights Reserved. 10/11



DS41613A

PIC10(L)F32X Development Board Quick Start Guide

Overview

The PIC10(L)F32X Development Board is programmed at the factory with a demonstration program. The board does not need to be configured in any way in order to use the demonstration program. Once the board is powered up, the brightness of LED (D2) may be varied using the potentiometer (POT1). LED (D1) is powered as long as the PIC10F322 device is operating, and will thus vary with the supply voltage.

Board Setup

There is no setup for this demo board to operate.

Board Power-Up

Supply power to the board in one of the following ways:

- Connect a 2.3-5 VDC supply using J4 (see Figure 1).
- Use the power supplied by the PICkit™ 3 or MPLAB™ ICD 3 programmers.

Demonstration Program

After applying power to the PIC10(L)F32X Development Board, LED (D1) will automatically turn on. Turn POT1 clockwise to increase the brightness of LED (D2). Press switch (SW1) to turn both LEDs D1 and D2 off, release switch (SW1) and LEDs D1 and D2 will turn on.

Board Layout

The PIC10(L)F32X Development Board is shown in Figure 1 and a schematic in Figure 2.

A PIC10F322 microcontroller is populated on the top center of the demo board under the identification label U1. The PIC10F322 has 4 available I/O pins that are initially connected to the four major components on the board. The initial connections connect to the following components:

- Switch 1 (SW 1) – 1 pin: \overline{MCLR} (pin 6) of microcontroller
- Pot 1 (POT1) – 1 pin: RA2 (pin 4) of microcontroller
- LED (D1) – 1 pin: RA1 (pin 3) of microcontroller
- LED (D2) – 1 pin: RA0 (pin 1) of microcontroller

Should you choose to use the board to experiment on your own, the board allows the flexibility to do so. A prototyping area is provided, with ground (GND) and supply voltage (VDD) connections on the left and right sides, to expand and experiment with the capabilities of the PIC10(L)F32X Development Board.

Figure 1: PIC10(L)F32X Development Board

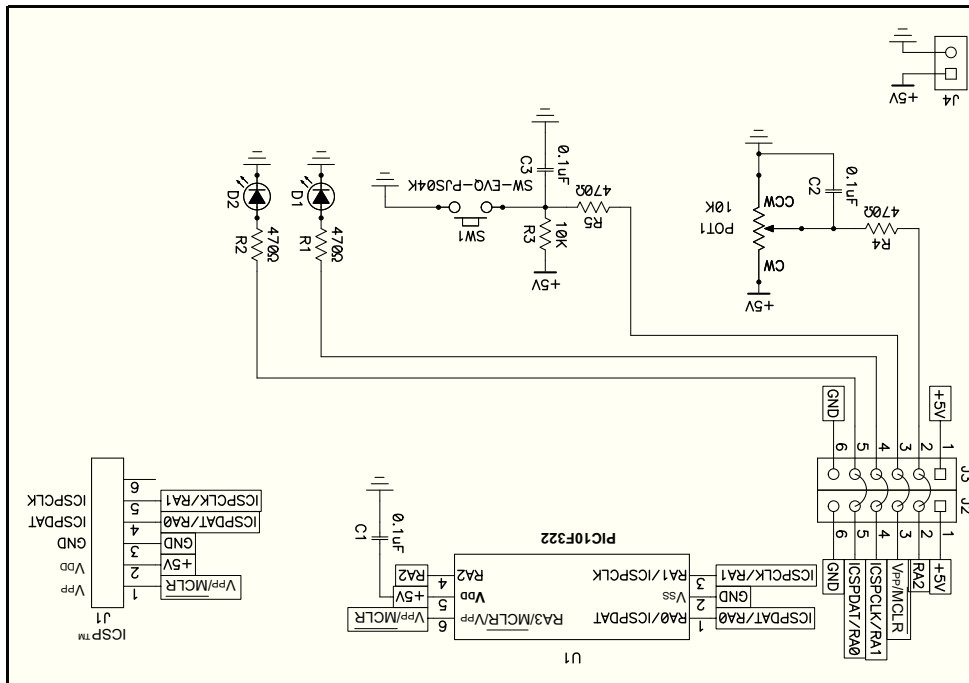
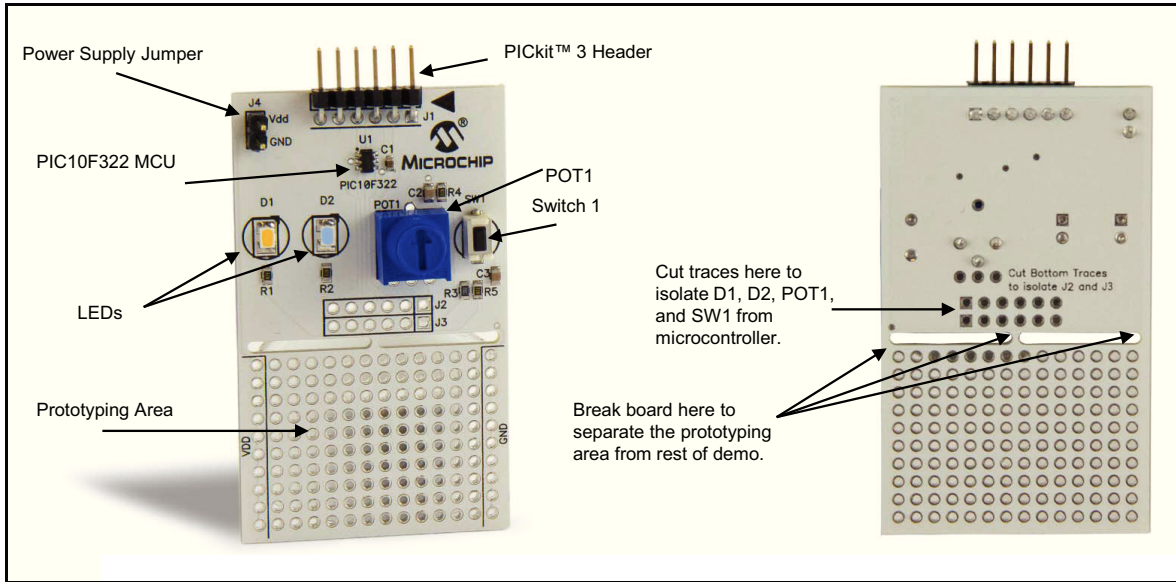


Figure 2: PIC10(L)F32X Development Board Schematic