

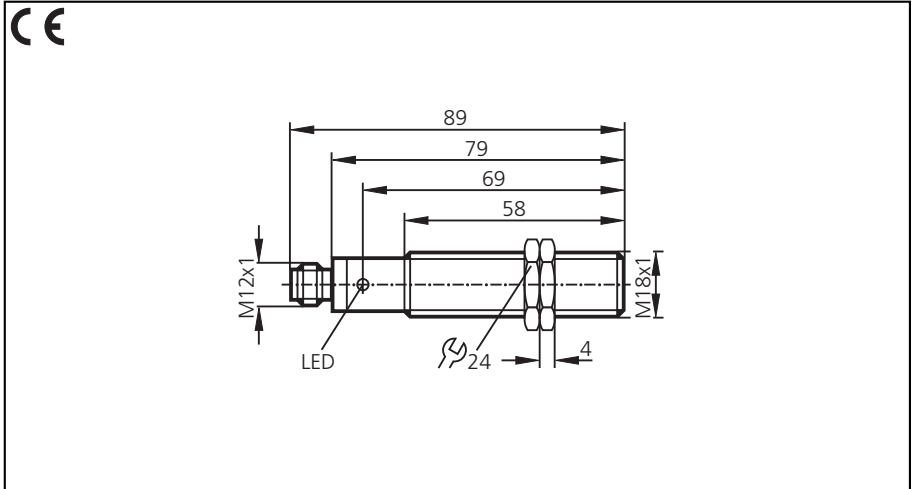
**IG5539**

IGA4005-CPKG/US

Metallgewinde M18 x 1

Steckverbindung

Schaltabstand 5mm [b]  
bündig einbaubar



**Elektrische Ausführung  
Ausgangsfunktion**

Betriebsspannung	[V]
Strombelastbarkeit (Dauer)	[mA]
Strombelastbarkeit (Kurzzeit)	[mA]
Mindestlaststrom	[mA]
Kurzschlußschutz, getaktet	
Verpolungssicher / überlastfest	
Spannungsabfall (max. Last)	[V]
Reststrom	[mA]
Stromaufnahme	[mA]
Schaltfrequenz	[Hz]

Realschaltabstand Sr	[mm]
Arbeitsabstand	[mm]
Schaltpunktdrift	[% von Sr]
Hysterese	[% von Sr]
Korrekturfaktoren	

Schaltzustandsanzeige	
Umgebungstemperatur	[°C]
Schutzart, Schutzklasse	
EMV	

Gehäusewerkstoff	
Anschluß	
Anschlußschema	

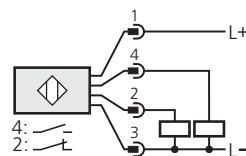
**4-Leiter DC PNP  
Schließer / Öffner antivalent**

10 ... 36 DC
250
—
—
•
•
< 2,5
—
< 15 (24 V)
700

5 ± 10%
0 ... 4,05
-10 ... +10
1 ... 15
Stahl (St37) = 1; V2A ca. 0,7; Ms ca. 0,4; Al ca. 0,3; Cu ca. 0,2

LED gelb
-25 ... +80
IP 67/III
prEN 60947-5-2 Annex X; EN 55011 Klasse B

Messing vernickelt; PC
M12-Steckverbindung



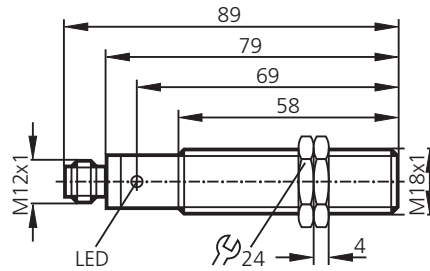
**IG5539**

IGA4005-CPKG/US

Metal thread M18 x 1

Plug and socket

Sensing range 5mm [f]  
flush mountable



**Electrical Design  
Output**

Operating voltage	[V]
Current rating (continuous)	[mA]
Current rating (peak)	[mA]
Minimum load current	[mA]
Short circuit protection	
Reverse polarity / overload protection	
Voltage drop	[V]
Leakage current	[mA]
Current consumption	[mA]
Switching frequency	[Hz]

Real sensing range Sr	[mm]
Operating distance	[mm]
Switch-point drift	[% of Sr]
Hysteresis	[% of Sr]
Correction factors	

Output status indication	
Operating temperature	[°C]

Protection	
EMC	

Housing material	
------------------	--

Connection	
------------	--

Wiring	
--------	--

**4-wire DC PNP  
normally open / normally closed complementary**

Operating voltage	10 ... 36 DC
Current rating (continuous)	250
Current rating (peak)	—
Minimum load current	—
Short circuit protection	•
Reverse polarity / overload protection	•
Voltage drop	< 2.5
Leakage current	—
Current consumption	< 15 (24 V)
Switching frequency	700

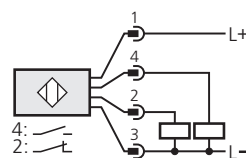
Real sensing range Sr	5 ± 10%
Operating distance	0 ... 4.05
Switch-point drift	-10 ... +10
Hysteresis	1 ... 15
Correction factors	steel = 1; stainless steel approx. 0.7; Ms approx. 0.4; Al approx. 0.3; Cu approx. 0.2

Output status indication	LED yellow
Operating temperature	-25 ... +80

Protection	IP 67/III
EMC	prEN 60947-5-2 annex X; EN 55011 class B

Housing material	nickel-plated brass; PC
------------------	-------------------------

Connection	M12 connector
------------	---------------



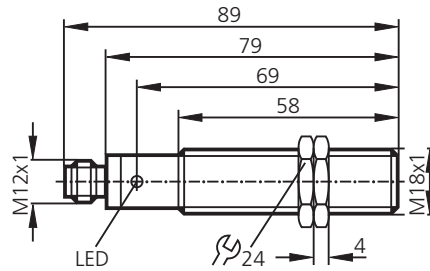
**IG5539**

IGA4005-CPKG/US

Filetage métallique M18 x 1

Raccordement par connecteur

Portée 5mm [b]  
encastrable



**Technologie  
Sortie**

Tension d'alimentation	[V]
Courant de sortie (au maintien)	[mA]
Courant de sortie (à l'appel)	[mA]
Courant de sortie minimum	[mA]
Protégé: courts-circuits	
Protégé: inv. de pol. et surcharges	
Chute tension / charge maxi	[V]
Courant résiduel	[mA]
Consommation	[mA]
Fréquence de commutation	[Hz]

Portée réelle Sr	[mm]
Portée de travail	[mm]
Dérive du point de comm.	[% de Sr]
Hystérésis	[% de Sr]
Facteurs de correction	

Indication de commutation	
Température ambiante	[°C]

Protection	
CEM	

Boîtier

Raccordement

Schéma de branchement

**4 fils DC PNP  
normalement ouvert / normalement fermé antivalente**

10 ... 36 DC
250
—
—
•
•
< 2,5
—
< 15 (24 V)
700

5 ± 10%
0 ... 4,05
-10 ... +10
1 ... 15
acier = 1; V2A (303) env. 0,7; Ms env. 0,4; Al env. 0,3; Cu env. 0,2

LED jaune
-25 ... +80

IP 67/III
prEN 60947-5-2 annexe X; EN 55011 classe B

laiton nickelé; PC

embase M12

