



## VST 20

Industrial Connectors:Measuring and Testing Equipment:Plugs:4 mm system

### Product description

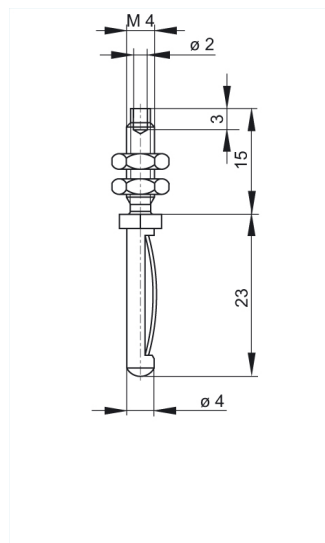
Description Fully mating connector as built-in pin, solder connection up to maximum cable cross-section of 2 mm<sup>2</sup>. Nickel-plated brass contact material.

Type VST 20

Order No. 930 050-000

System 4 mm system

### Drawing



### Technical data

Pin dimensions	4 mm
Type of contact	pin (spring-loaded)
Type of termination	solder
Rated voltage	DC 60 V
Rated current	16 A
Contact resistance	3 mOhm

### Material

Contact material	brass
Contact surface material	nickel-plated
Housing material	PVC-P

### Environmental conditions

Temperature range	-25 °C to +100 °C
-------------------	-------------------

### Inflammability class

Housing	94 V-2
---------	--------