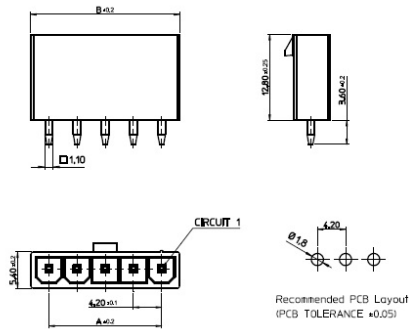


INTERCONNECTION

Single Row Headers, Straight

TYPE NO.	POLES	A	B
CTMV/MINI/2/S	2	4.20	9.60
CTMV/MINI/3/S	3	8.40	13.80
CTMV/MINI/4/S	4	12.6	18.00
CTMV/MINI/5/S	5	16.8	22.20

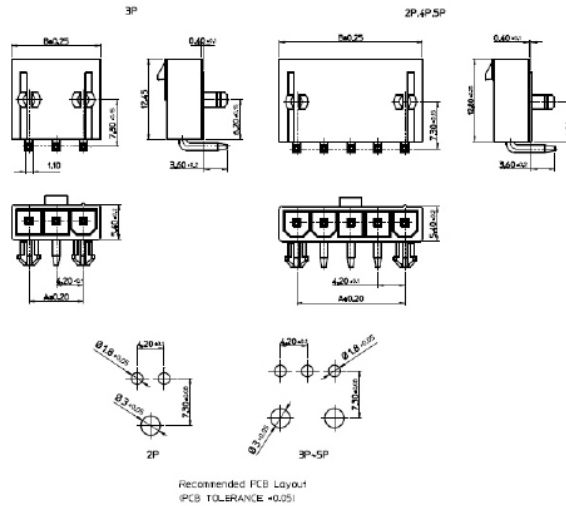
CTMV/MINI/S



Right Angle

TYPE NO.	POLES	A	B
CTMH/MINI/2/S	2	4.20	9.60
CTMH/MINI/3/S	3	8.40	13.80
CTMH/MINI/4/S	4	12.6	18.00
CTMH/MINI/5/S	5	16.8	22.20

CTMH/MINI/S



Crimp Contacts

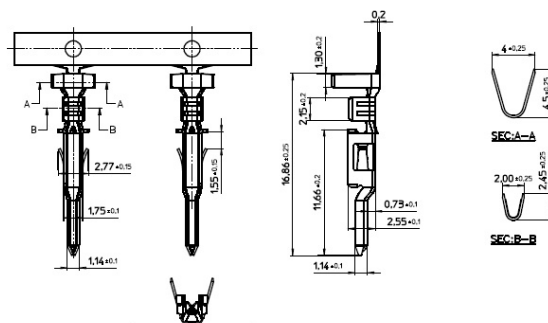
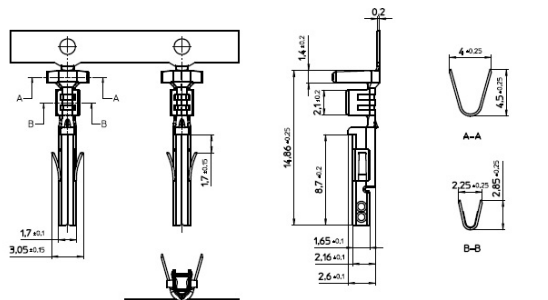
- Box section with locking fangs and four points of contact
- Supplied in reels of 5,000

TYPE NO.	GENDER	WIRE RANGE
CTCF/MINI	Female	24-18 AWG
CTCM/MINI	Male	24-18 AWG
CTCM/MINI	Ma	

CTCF/MINI



CTCM/MINI



PCB
TERMINAL
BLOCKS

INTER-
CONNECTION

FUSES &
FUSE-
HOLDERS

LEDs &
INDICATORS

MINIATURE
SWITCHES

LIMIT &
SAFETY
SWITCHES

CONTROL
PRODUCTS

INTERFACE
MODULES &
SUPPORTS

RELAY
BASES

ENCLOSURES

BATTERIES

TRANS-
FORMERS



+44 (0)1638 716101
info@camdenboss.com
www.camdenboss.com

We operate a constant improvement policy,
our products are subject to change without notice.

Ver 1.0

CAMDENBOSS
ELECTRONICS & ENCLOSURES