



The affordable LEDspot solution

CorePro LEDspot MV

CorePro LEDspots are a perfect fit for spot lighting and deliver warm halogen-like light. They are compatible with most existing fixtures with a GU10 or E14 holder and are designed as a retrofit replacement for halogen or incandescent spots. LEDlamps deliver huge energy savings and minimize maintenance cost.

Benefits

- Warm white light
- Up to 80% energy saving compared with halogen lamps
- Lower maintenance costs
- Broad compatibility with transformers

Features

- Easy retrofit
- Lifetime of 15,000 hours
- Compatible with an extensive range of dimmers
- UV- and IR-free light
- Free of mercury and hazardous materials

Application

- Hotels, restaurants, bars, cafés, museums, shops
- Lobbies, corridors, stairwells, washrooms, reception areas , exhibitions, display cabinets



PHILIPS

Related products

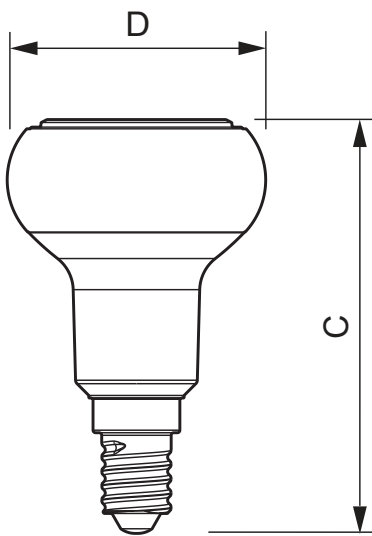


4-40W E14 R50



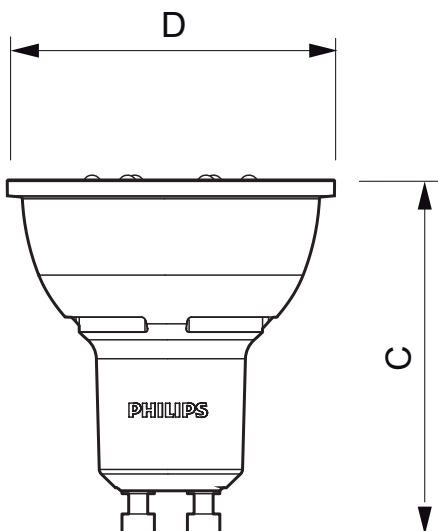
5-50 W GU10 MR16 WH

Dimensional drawing



CorePro LEDspotMV D 4-40W 827 R50 36D

Product	C (Norm)	C1 (Max)	D (Norm)	D1 (Norm)
LED D 4-40W 827 R50 36D	85	-	51	-



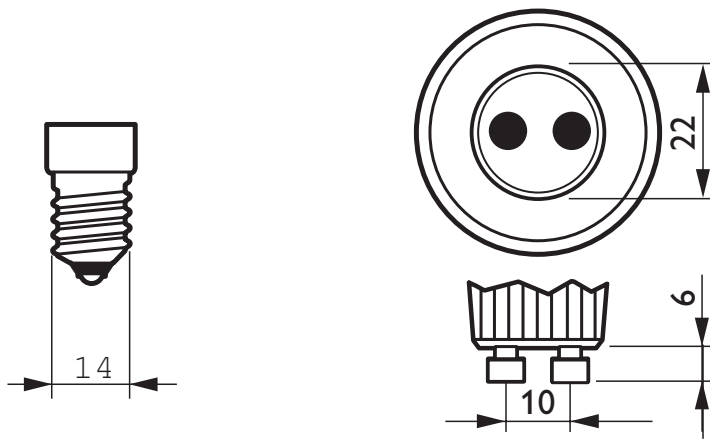
CorePro LEDspotMV 5-50W GU10 830 36D

Product	C (Norm)	C1 (Max)	D (Norm)	D1 (Norm)
LED 5-50W GU10 830 36D	55	-	50	-
LED 5-50W GU10 830 50D	55	-	50	-
LED 5-50W GU10 840 50D	55	-	50	-

General Characteristics

Order code	Full product name	Cap-Base	Bulb	Bulb Finish	Rated Lifetime	Order code	Full product name	Cap-Base	Bulb	Bulb Finish	Rated Lifetime
673699 00	CorePro LEDspotMV D 4-40W 827 R50 36D	SES	R50	-	20000 hr	497166 00	CorePro LEDspotMV 5-50W GU10 830 50D	GU10	MR16	White	15000 hr
486009 00	CorePro LEDspotMV 5-50W GU10 830 36D	GU10	MR16	White	15000 hr	497180 00	CorePro LEDspotMV 5-50W GU10 840 50D	GU10	MR16	White	15000 hr

Installation diagrams



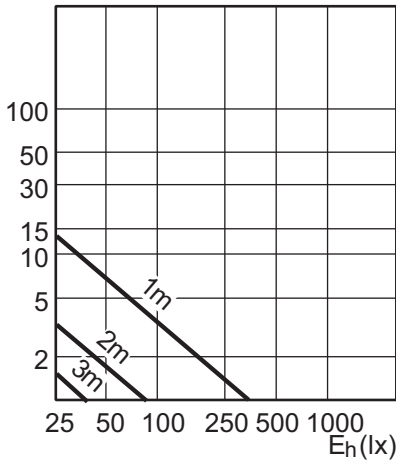
E14

GU10

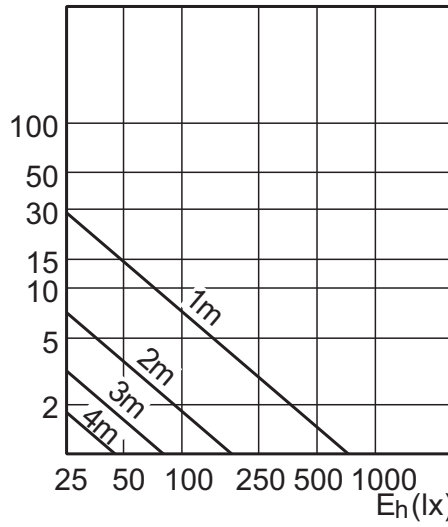
Light Technical Characteristics

Order code	Full product name	Colour Code	Beam Angle	Beam Description	Luminous Flux	Luminous Intensity	Colour rendering index	Colour Temperature	Rated Luminous Flux	LLMF - end nominal lifetime	Rated Beam Angle
673699 00	CorePro LEDspotMV D 4-40W 827 R50 36D	827	36 D	36D	210 Lm	300 cd	80	2700 K	210 Lm	70 %	36 D
486009 00	CorePro LEDspotMV 5-50W GU10 830 36D	830	36 D	36D	390 Lm	900 cd	80	3000 K	390 Lm	70 %	36 D
497166 00	CorePro LEDspotMV 5-50W GU10 830 50D	830	50 D	50D	310 Lm	400 cd	80	3000 K	310 Lm	70 %	50 D
497180 00	CorePro LEDspotMV 5-50W GU10 840 50D	840	50 D	50D	435 Lm	400 cd	80	4000 K	435 Lm	70 %	50 D

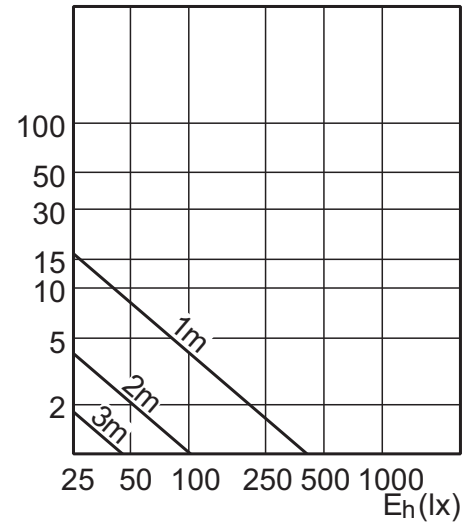
Light technical



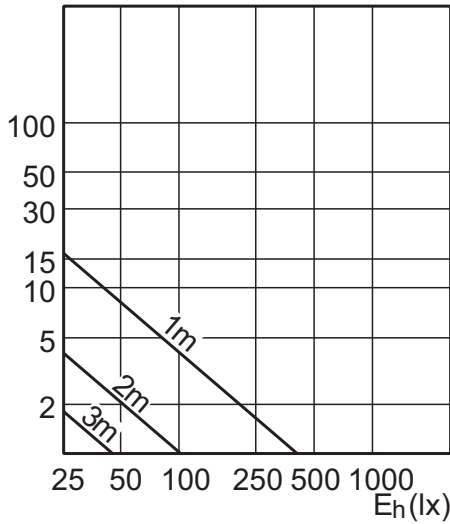
4-40W E14 2700K 230V 36D



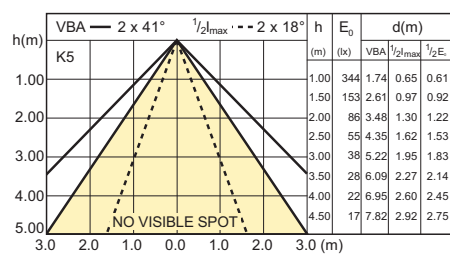
5-50 W GU10 MR16 36D



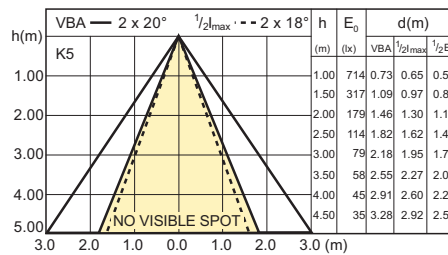
5-50 W GU10 MR16 /830 50D



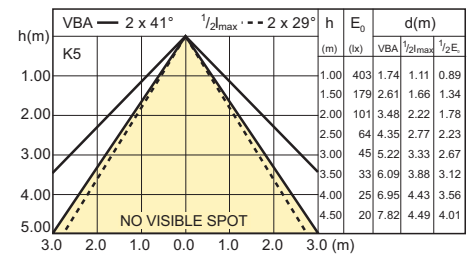
5-50 W GU10 MR16 /840 50D



4-40W E14 2700K 230V 36D

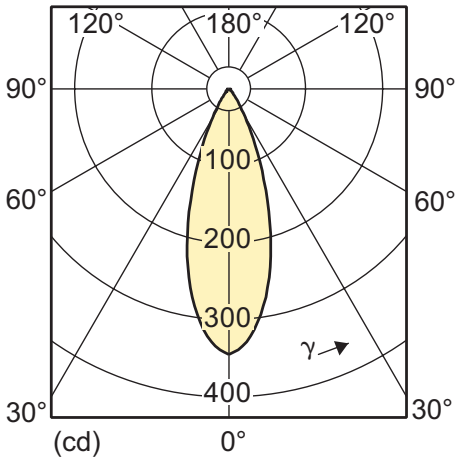
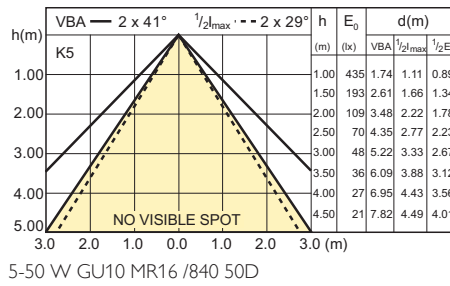


5-50 W GU10 MR16 36D

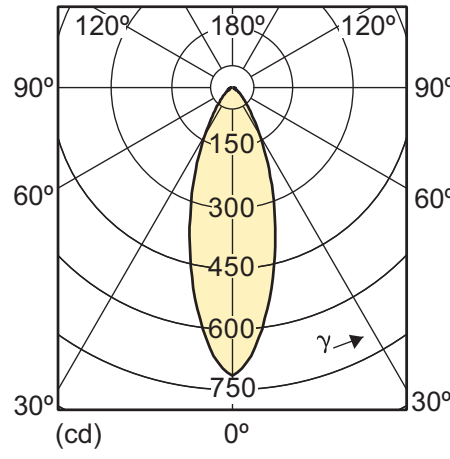


5-50 W GU10 MR16 /830 50D

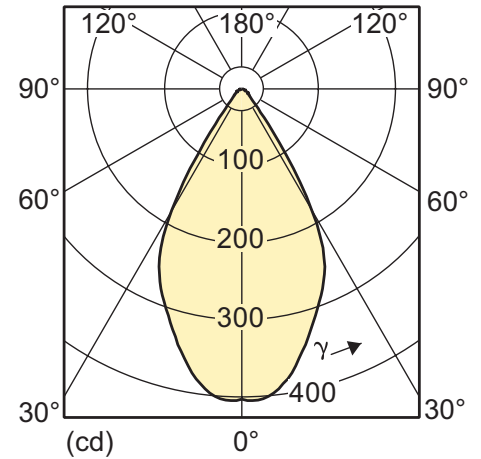
Light technical



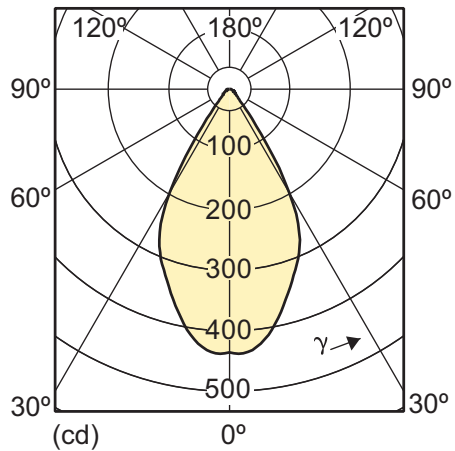
4-40W E14 2700K 230V 36D



5-50 W GU10 MR16 36D



5-50 W GU10 MR16 /830 50D



5-50 W GU10 MR16 /840 50D

Electrical Characteristics

Order code	Full product name	Wattage	Voltage	Line Frequency	Dimmable	Wattage Equivalent	Rated Wattage	Starting Time
673699 00	CorePro LEDspotMV D 4-40W 827 R50 36D	4 W	220-240 V	50-60 Hz	Yes	40 W	4.0 W	0.5 (max) s
486009 00	CorePro LEDspotMV 5-50W GU10 830 36D	5 W	220-240 V	50-60 Hz	No	50 W	5.0 W	0.5 (max) s
497166 00	CorePro LEDspotMV 5-50W GU10 830 50D	5 W	220-240 V	50-60 Hz	No	50 W	5.0 W	0.5 (max) s
497180 00	CorePro LEDspotMV 5-50W GU10 840 50D	5 W	220-240 V	50-60 Hz	No	50 W	5.0 W	0.5 (max) s

Temperature Characteristics

Order code	Full product name	T-case maximum
673699 00	CorePro LEDspotMV D 4-40W 827 R50 36D	102 C

Environmental characteristics

Order code	Full product name	Energy Efficiency Label (EEL)	Energy consumption kWh/1000h
673699 00	CorePro LEDspotMV D 4-40W 827 R50 36D	A+	4 kWh
486009 00	CorePro LEDspotMV 5-50W GU10 830 36D	A+	5 kWh

Order code	Full product name	Energy Efficiency Label (EEL)	Energy consumption kWh/1000h
497166 00	CorePro LEDspotMV 5-50W GU10 830 50D	A+	5 kWh
497180 00	CorePro LEDspotMV 5-50W GU10 840 50D	A+	5 kWh

Measuring Conditions

Order code	Full product name	Switching cycle
673699 00	CorePro LEDspotMV D 4-40W 827 R50 36D	50000X
486009 00	CorePro LEDspotMV 5-50W GU10 830 36D	50000X
497166 00	CorePro LEDspotMV 5-50W GU10 830 50D	50000X
497180 00	CorePro LEDspotMV 5-50W GU10 840 50D	50000X



© 2015 Koninklijke Philips N.V. (Royal Philips)
All rights reserved.

Specifications are subject to change without notice. Trademarks are the property of Koninklijke Philips N.V. (Royal Philips) or their respective owners.

www.philips.com/lighting

2015, September 29
data subject to change