



Insulated enclosure for surface mounting

Part no. CI-PKZ01-PVT

Article no. 281406



Powering Business Worldwide™

For PKZM01 motor-protective circuit-breakers

Program

			with emergency switching off mushroom push-button maintained
Protection type			IP65
For use with			PKZM01 +NHI-E or VHI-PKZ01 +U or A (undervoltage or shunt release) +L (2 off)
Notes			
Integrated terminal for PE(N) connection, two M25 cable entry knockouts at top and at bottom.			

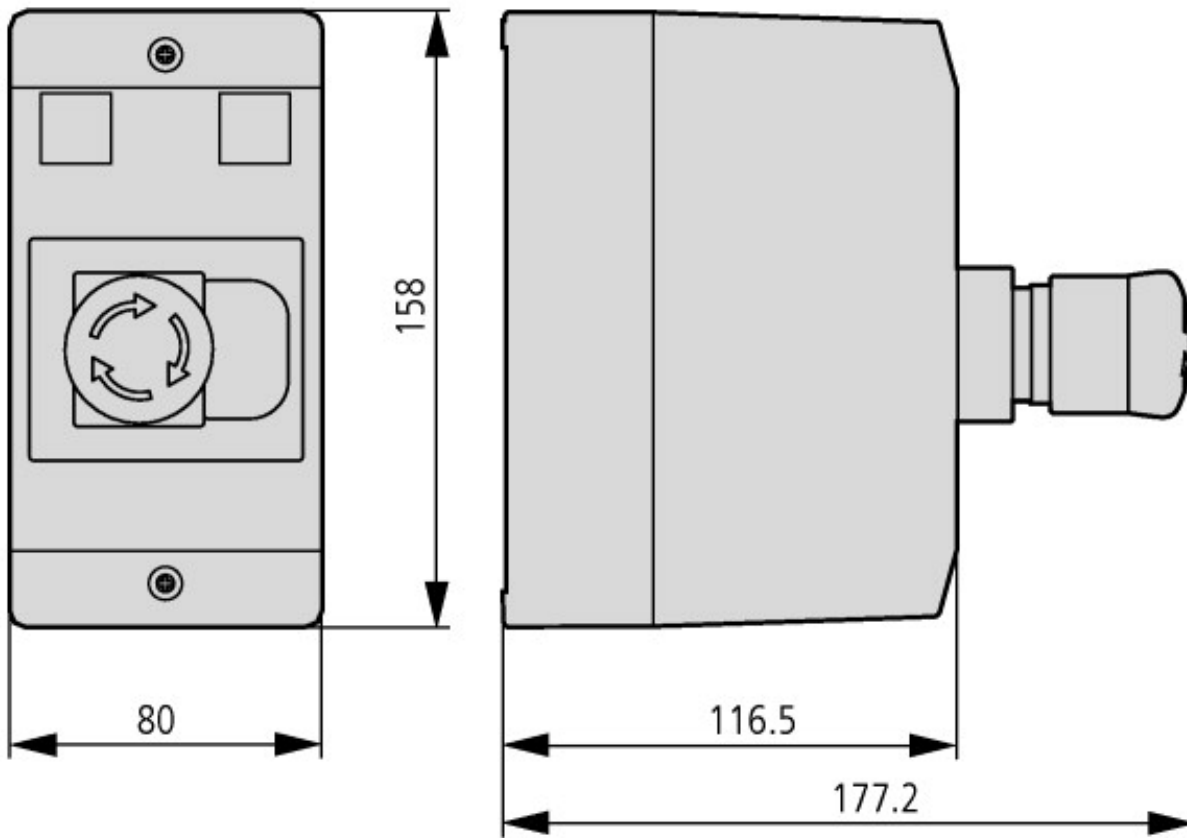
Approbationen

UL approval	No
CSA approval	No
Specially designed for NA	No

Technical data according to ETIM 4.0

Width		mm	97
Design			surface mounting
Height		mm	160
Depth		mm	80
With transparent cover			No
Suitable for emergency stop			YES
Housing material			Insulated material
Degree of protection (IP)			IP65

Dimensions



Insulated enclosure for top mounting

Additional product information (links)

IL03407018Z (IL03407018Z) Enclosure CI-PKZ01, E-PKZ01

ftp://ftp.moeller.net/DOCUMENTATION/AWA_INSTRUCTIONS/IL03407018Z2010_08.pdf

Motor starters and "Special Purpose Ratings" for the North American market

http://www.moeller.net/binary/ver_techpapers/ver953en.pdf

Busbar Component Adapters for modern Industrial control panels

http://www.moeller.net/binary/ver_techpapers/ver960en.pdf