



Accessories CI-K2-PKZ0

Part no. CI-K2-PKZ0-GR

Article no. 219655



Powering Business Worldwide™

For PKZM0 motor-protective circuit-breakers

Program

			with red-yellow rotary knob, for use as EMERGENCY STOP switch in accordance with EN 60204
Protection type			IP65
For use with			+NHI or AGM +U or A +NHI-E +L-PKZ0 (2 off)
Notes			
M25 metric cable entry knockout, top and bottom			
Push-through cable entry diaphragm top, bottom, in the back plate and for control cable entry.			
CI-K2 insulated enclosure includes N and PE terminal.			

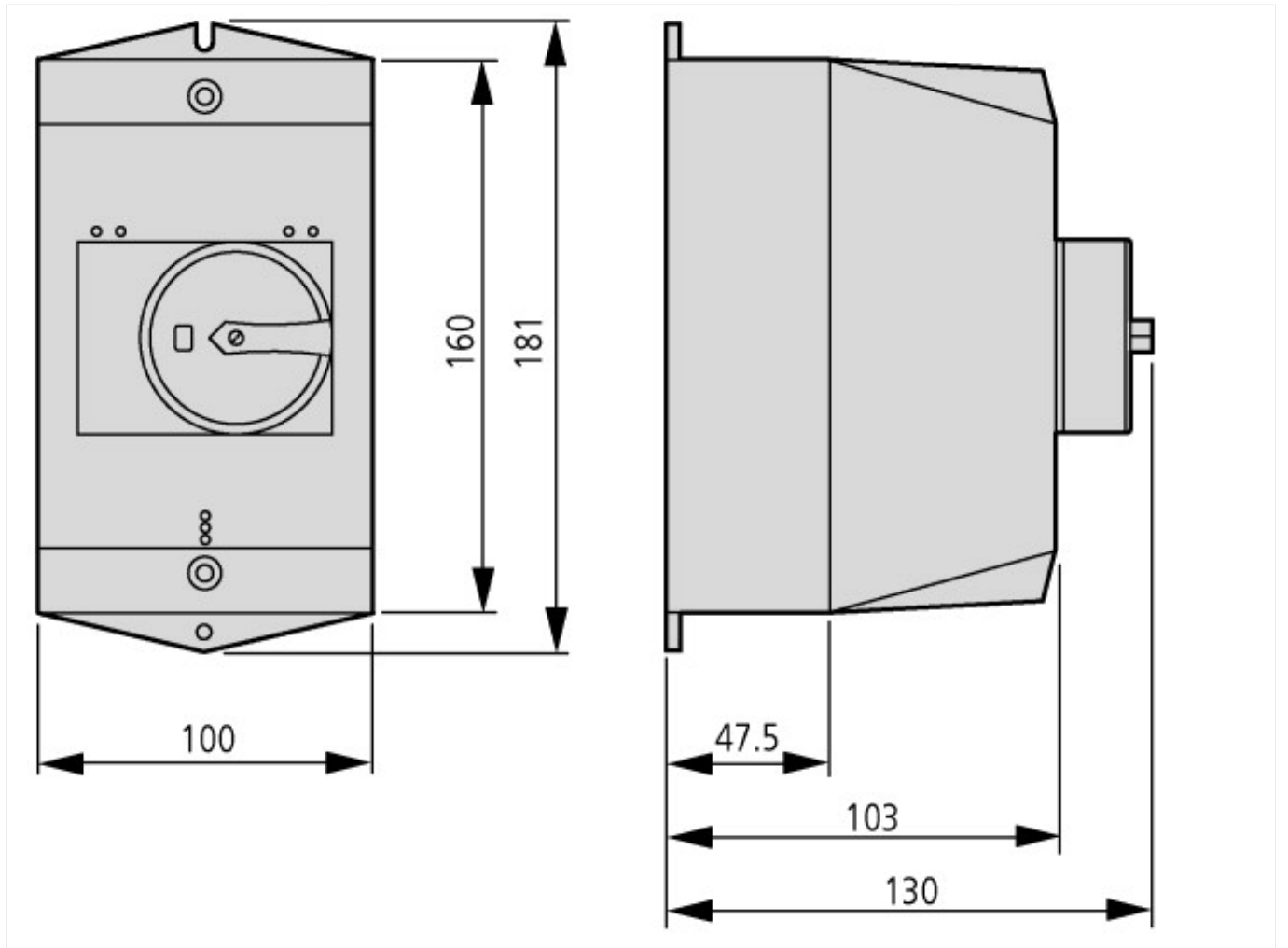
Approbationen

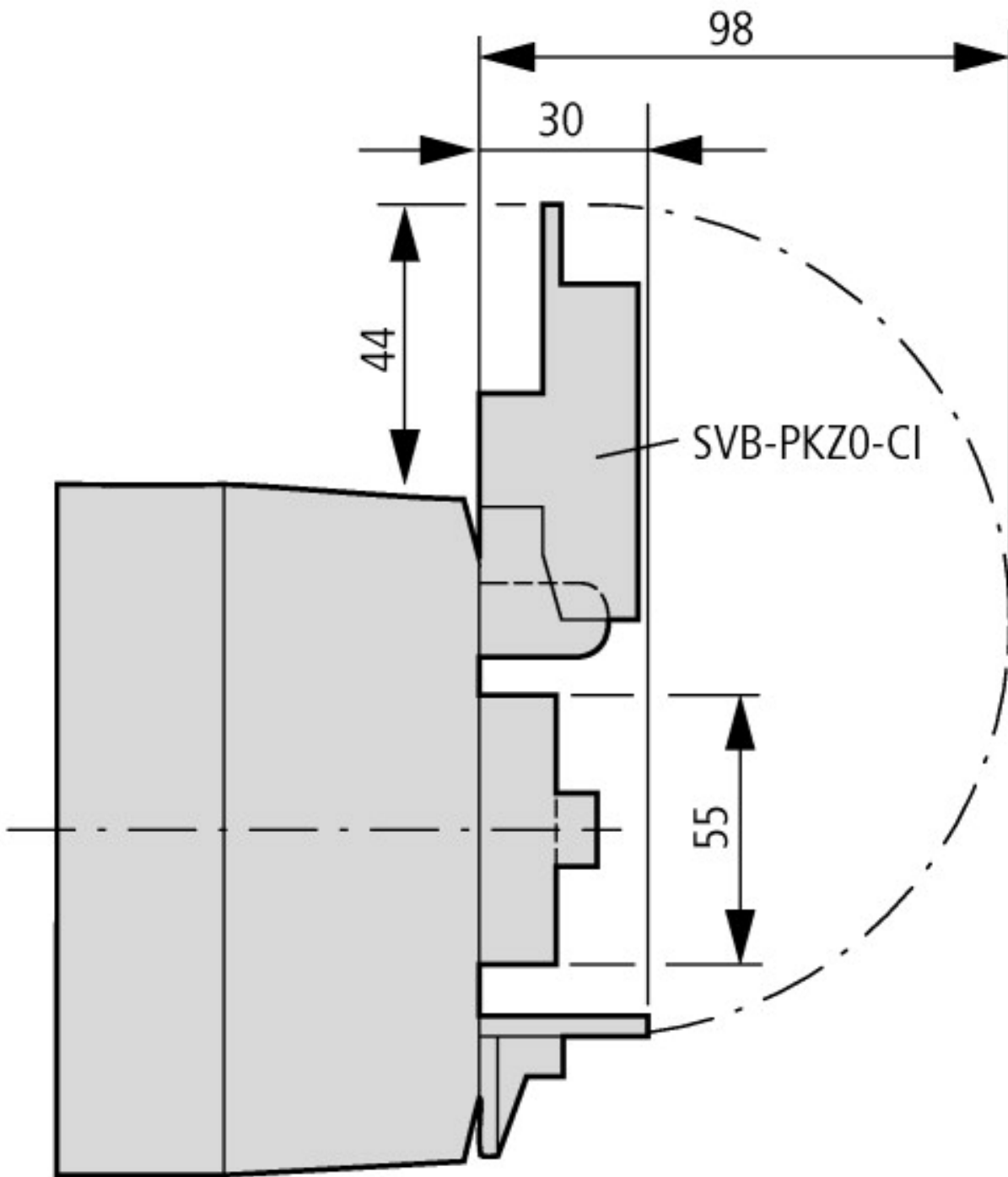
UL approval	No
CSA approval	No
Specially designed for NA	No

Technical data according to ETIM 4.0

Width		mm	80
Design			surface mounting
Height		mm	158
Depth		mm	124.4
With transparent cover			No
Suitable for emergency stop			YES
Housing material			Insulated material
Degree of protection (IP)			IP65

Dimensions





CI-K2-PKZ0-G(R)(V) + SVB-PKZ0-CI

Additional product information (links)

IL03402002Z (IL03402002Z) Motor-protective circuit -breaker with insulated enclosures

ftp://ftp.moeller.net/DOCUMENTATION/AWA_INSTRUCTIONS/IL03402002Z2010_10.pdf

Motor starters and "Special Purpose Ratings" for the North American market

http://www.moeller.net/binary/ver_techpapers/ver953en.pdf

Busbar Component Adapters for modern Industrial control panels

http://www.moeller.net/binary/ver_techpapers/ver960en.pdf