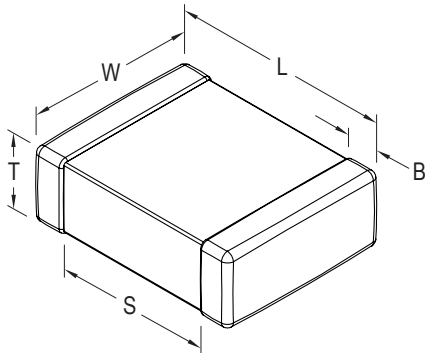


## Sample Kit Contents

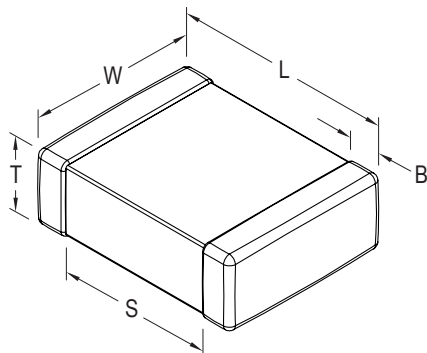
KEMET Part Number	Case Size	Capacitance	Cap Tolerance	Rated Voltage	T Thickness	Dielectric	Termination	Quantity
	EIA/Metric		%	VDC	mm			
C0805V332KDRACTU	0805/2012	3300 pF	±10	1000	1.25 ±0.15	X7R	Standard	50
C0805W472KDRACTU	0805/2012	4700 pF	±10	1000	1.25 ±0.15	X7R	Flexible	50
C0805W822KBRACTU	0805/2012	8200 pF	±10	630	1.25 ±0.15	X7R	Flexible	50
C0805V123KCRACTU	0805/2012	12000 pF	±10	500	1.25 ±0.15	X7R	Standard	50
C1206V223KDRACTU	1206/3216	22000 pF	±10	1000	1.70 ±0.20	X7R	Standard	50
C1206V333KBRACTU	1206/3216	33000 pF	±10	630	1.70 ±0.20	X7R	Standard	50
C1206W473KCRACTU	1206/3216	47000 pF	±10	500	1.70 ±0.20	X7R	Flexible	50
C1206W683KCRACTU	1206/3216	68000 pF	±10	500	1.70 ±0.20	X7R	Flexible	50
C1210V223KBRACTU	1210/3225	22000 pF	±10	630	1.25 ±0.15	X7R	Standard	50
C1210V473KDRACTU	1210/3225	47000 pF	±10	1000	2.10 ±0.20	X7R	Standard	50
C1210W563KDRACTU	1210/3225	56000 pF	±10	1000	2.10 ±0.20	X7R	Flexible	50
C1210V823KBRACTU	1210/3225	82000 pF	±10	630	2.10 ±0.20	X7R	Standard	50
C1210W104KCRACTU	1210/3225	0.10 µF	±10	500	2.10 ±0.20	X7R	Flexible	50
C1210W154KCRACTU	1210/3225	0.15 µF	±10	500	2.10 ±0.20	X7R	Flexible	50
C1808V223KDRACTU	1808/4520	22000 pF	±10	1000	1.00 ±0.10	X7R	Standard	50
C1808W473KDRACTU	1808/4520	47000 pF	±10	1000	1.60 ±0.15	X7R	Flexible	50
C1808W683KDRACTU	1808/4520	68000 pF	±10	1000	2.00 ±0.15	X7R	Flexible	50
C1808V104KBRACTU	1808/4520	0.10 µF	±10	630	2.00 ±0.15	X7R	Standard	50
C1808W154KCRACTU	1808/4520	0.15 µF	±10	500	1.60 ±0.15	X7R	Flexible	50
C1812V333KDRACTU	1812/4532	33000 pF	±10	1000	1.00 ±0.10	X7R	Standard	25
C1812W473KDRACTU	1812/4532	47000 pF	±10	1000	1.10 ±0.10	X7R	Flexible	25
C1812V104KDRACTU	1812/4532	0.10 µF	±10	1000	1.70 ±0.15	X7R	Standard	25
C1812V154KBRACTU	1812/4532	0.15 µF	±10	630	1.70 ±0.20	X7R	Standard	25
C1812W334KCRACTU	1812/4532	0.33 µF	±10	500	2.10 ±0.20	X7R	Flexible	25

## Dimensions – Millimeters (Inches) – Standard Termination



Case Size (in.)	Case Size (mm)	L Length	W Width	T Thickness	B Bandwidth	S Separation Minimum	Mounting Technique
0805	2012	2.00 (.079) ±0.20 (.008)	1.25 (.049) ±0.20 (.008)	See Table Above	0.50 (0.02) ±0.25 (.010)	0.75 (.030)	Solder Wave or Solder Reflow
1206	3216	3.20 (.126) ±0.20 (.008)	1.60 (.063) ±0.20 (.008)		0.50 (0.02) ±0.25 (.010)	N/A	
1210	3225	3.20 (.126) ±0.20 (.008)	2.50 (.098) ±0.20 (.008)		0.50 (0.02) ±0.25 (.010)		Solder Reflow Only
1808	4520	4.70 (.185) ±0.50 (.020)	2.00 (.079) ±0.20 (.008)		0.60 (.024) ±0.35 (.014)		
1812	4532	4.50 (.177) ±0.30 (.012)	3.20 (.126) ±0.30 (.012)		0.60 (.024) ±0.35 (.014)		

## Dimensions – Millimeters (Inches) – Flexible Termination



Case Size (in.)	Case Size (mm)	L Length	W Width	T Thickness	B Bandwidth	S Separation Minimum	Mounting Technique
0805	2012	2.00 (.079) ±0.20 (.008)	1.25 (.049) ±0.20 (.008)	See Table 2 for Thickness	0.50 (0.02) ±0.25 (.010)	0.75 (.030)	Solder Wave or Solder Reflow
1206	3216	3.30 (.130) ±0.40 (.016)	1.60 (.063) ±0.20 (.008)		0.60 (.024) ±0.25 (.010)	N/A	
1210	3225	3.30 (.130) ±0.40 (.016)	2.50 (.098) ±0.20 (.008)		0.60 (.024) ±0.25 (.010)		Solder Reflow Only
1808	4520	4.70 (.185) ±0.50 (.020)	2.00 (.079) ±0.20 (.008)		0.70 (.028) ±0.35 (.014)		
1812	4532	4.50 (.178) ±0.40 (.016)	3.20 (.126) ±0.30 (.012)		0.70 (.028) ±0.35 (.014)		