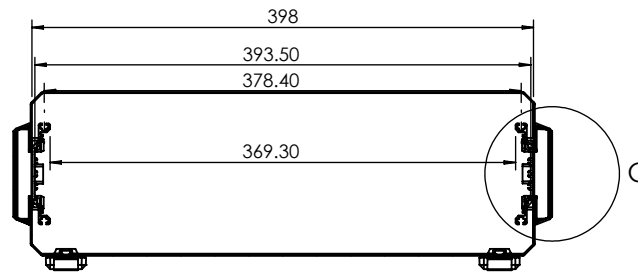
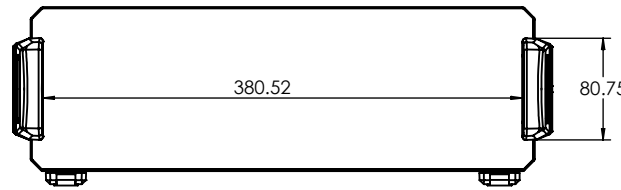


SECTION A-A
SCALE 1 : 5

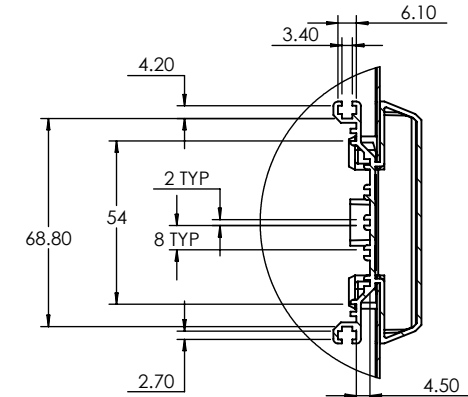
OVERALL ASSEMBLY DIMENSIONS:

EXTERNAL - 427.5 x 351 x 130

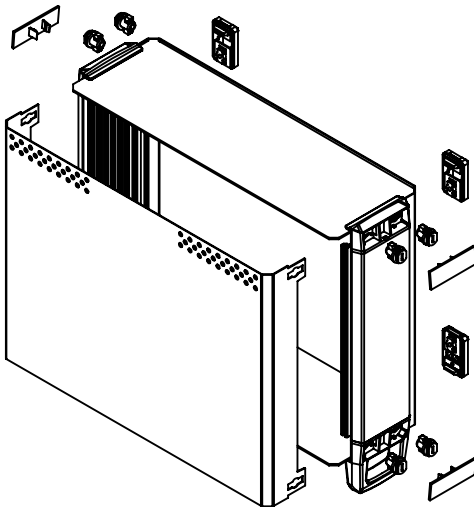
INTERNAL - 398 x 291 x 128



SECTION B-B
SCALE 1 : 6



DETAIL C
SCALE 2 : 5



CAMDENBOSS
ELECTRONICS & ENCLOSURES

JAMES CARTER RD, MILDENHALL, SUFFOLK. IP28 7DE
TEL: 01638 716101 FAX: 01638 716554
EMAIL: Sales@CamdenBoss.com
WEB: www.CamdenBoss.com

UNLESS OTHERWISE SPECIFIED:
DIMENSIONS ARE IN MILLIMETERS

GENERAL TOLERANCES +/- 0.2

FINISH. --- --

MATERIAL. VAR

PROJECTION.

DO NOT SCALE DRAWING

REVISION.

TITLE: GNL ASSEMBLY DRG FOR
110 SERIES - INSTRUMENT CASE

DWG NO. CDIC00007

A4

	NAME	SIGNED	DATE
DRAWN	IAN PAGANO	I.P.	21/02/13
CHKD	-	-	-

SCALE: 1 : 2

SHEET 1 OF 1