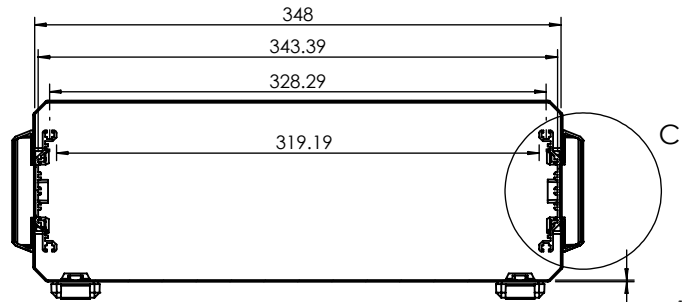
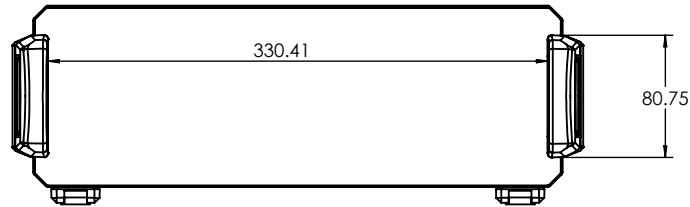


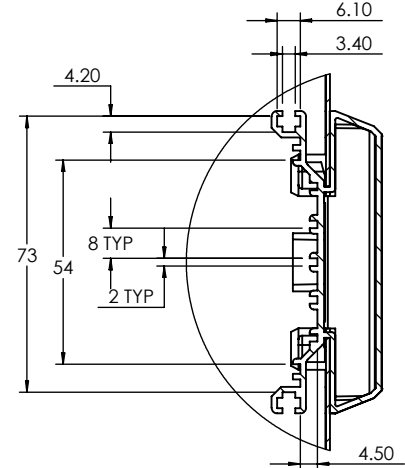
SECTION A-A
SCALE 1 : 5

OVERALL ASSEMBLY DIMENTIONS:
EXTERNAL - 377.5 x 311 x 119.85
INTERNAL - 348 x 251 x 117.8

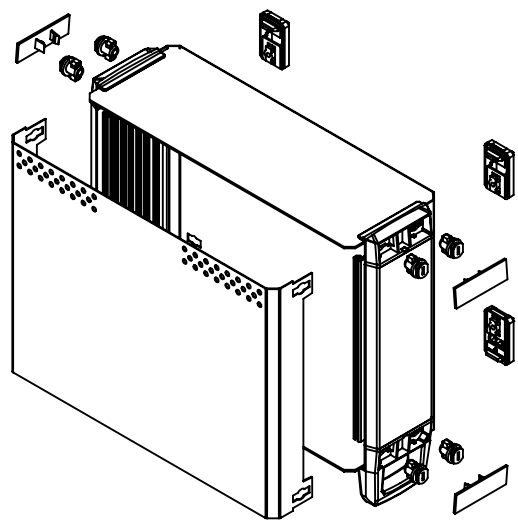


SECTION B-B
SCALE 1 : 5

1 mm
SHEET THICKNESS



DETAIL C
SCALE 1 : 2



ISO VIEW
1:7

				UNLESS OTHERWISE SPECIFIED: DIMENSIONS ARE IN MILLIMETERS		DO NOT SCALE DRAWING		REVISION. <input type="checkbox"/>	
				GENERAL TOLERANCES +/- 0.2		TITLE: GNL ASSEMBLY DRG FOR 110 SERIES - INSTRUMENT CASE			
JAMES CARTER RD, MILDENHALL, SUFFOLK. IP28 7DE TEL: 01638 716101 FAX: 01638 716554 EMAIL: Sales@CamdenBoss.com WEB: www.CamdenBoss.com				FINISH: ---		DWG NO. CDIC00006		A4	
DRAWN	NAME	SIGNED	DATE	MATERIAL. VAR		SCALE: 1 : 2		SHEET 1 OF 1	
CHKD	-	-	-	PROJECTION.					