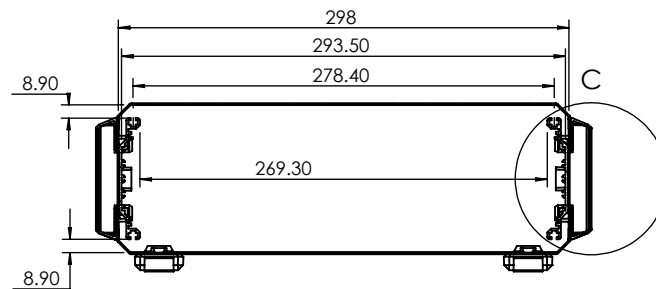
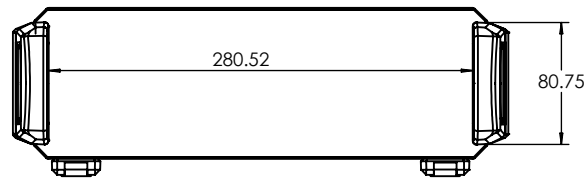
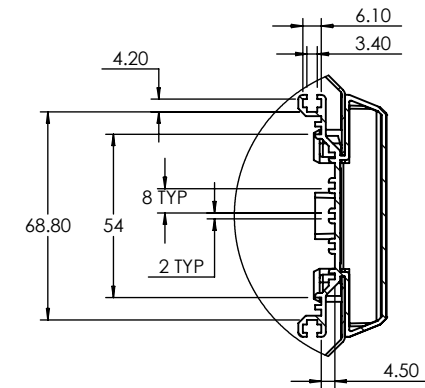


SECTION B-B

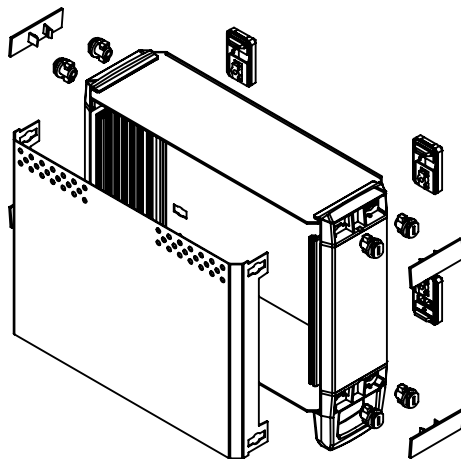
OVERALL ASSEMBLY DIMENSIONS:
 EXTERNAL - 327.5 x 270.8 x 99.8
 INTERNAL - 298 x 211 x 97.8



SECTION A-A



DETAIL C
 SCALE 2 : 5



				UNLESS OTHERWISE SPECIFIED: DIMENSIONS ARE IN MILLIMETERS		DO NOT SCALE DRAWING		REVISION. <input type="checkbox"/>	
				GENERAL TOLERANCES +/- 0.2		TITLE: GNL ASSEMBLY DRG FOR 110 SERIES - INSTRUMENTS CASE			
FINISH. ---				MATERIAL. VAR		DWG NO. CDIC00005		A4	
DRAWN IAN PAGANO		SIGNED I.P.		DATE 18/02/13		SCALE 1 : 2		SHEET 1 OF 1	
CHKD -		-		-		PROJECTION.			