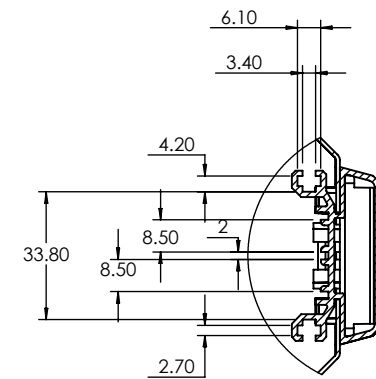
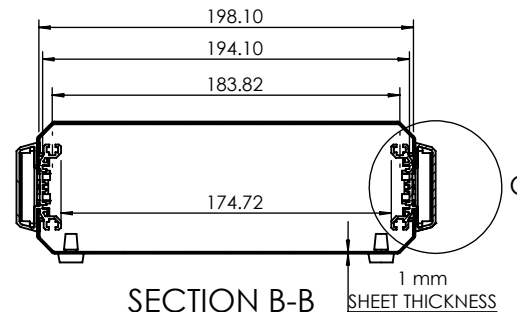
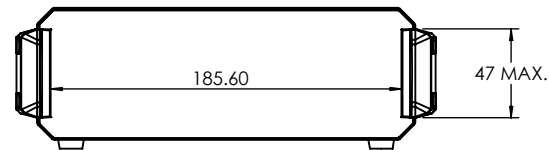


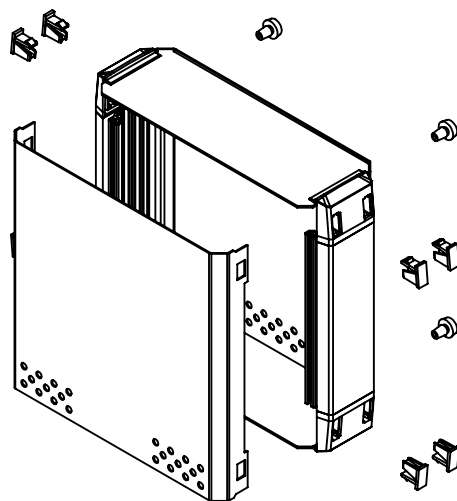
OVERALL ASSEMBLY DIMENTIONS:
 EXTERNAL - 221.5 x 205 x 70.4
 INTERNAL - 198 x 193 x 68.4



SECTION A-A
SCALE 1 : 4

SECTION B-B
SCALE 1 : 4

DETAIL C
SCALE 1 : 2



| | | | | | | | | | |
|---|--|-------------|--|--|--|--|--|------------------------------------|--|
| | | | | UNLESS OTHERWISE SPECIFIED: DIMENSIONS ARE IN MILLIMETERS | | DO NOT SCALE DRAWING | | REVISION. <input type="checkbox"/> | |
| | | | | GENERAL TOLERANCES +/- 0.2 | | TITLE: GNL ASSEMBLY DRG FOR CDIC00002 INSTRUMENTS CASE | | | |
| JAMES CARTER RD, MILDENHALL, SUFFOLK. IP28 7DE TEL: 01638 716101 FAX: 01638 716554 EMAIL: Sales@CamdenBoss.com WEB: www.CamdenBoss.com | | | | FINISH. --- | | DWG NO. CDIC00002 | | A4 | |
| DRAWN IAN PAGANO | | SIGNED I.P. | | DATE 18/02/13 | | MATERIAL. VAR | | SCALE: 1 : 2 | |
| CHKD - | | - | | - | | PROJECTION. | | SHEET 1 OF 1 | |