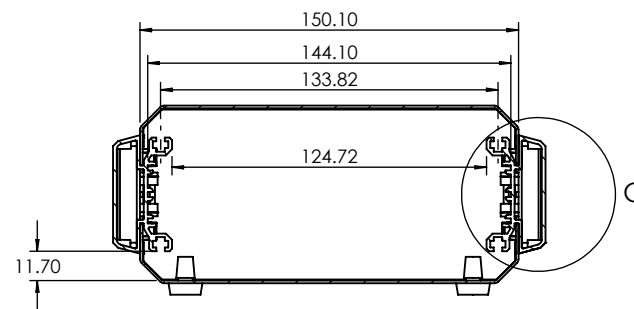
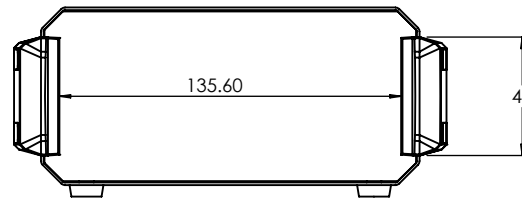


SECTION B-B

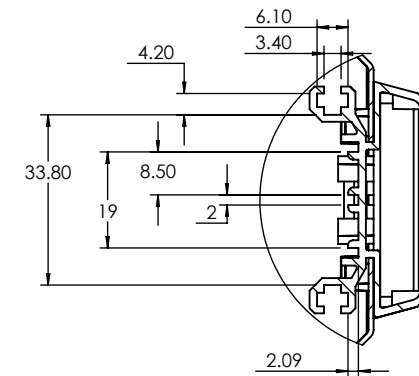
OVERALL ASSEMBLY DIMENSIONS:

EXTERNAL - 221.5 x 205 x 70.4

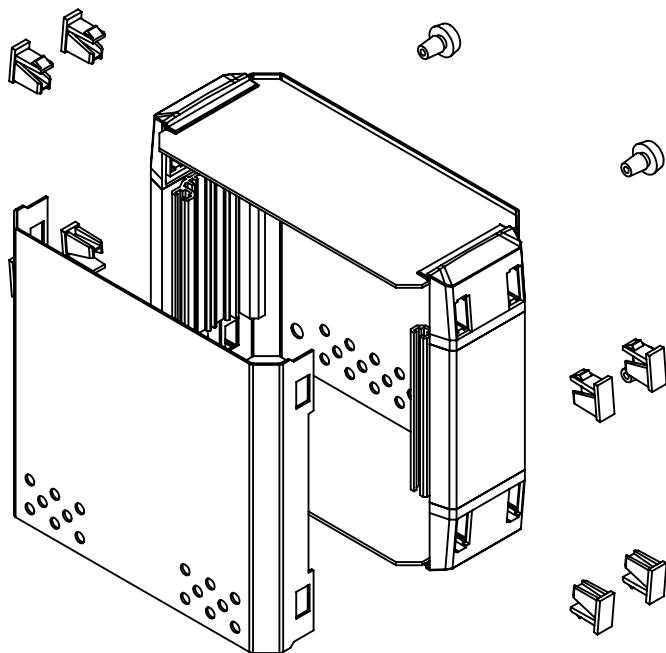
INTERNAL - 198 x 193 x 68.4



SECTION A-A



DETAIL C
SCALE 2 : 3



CAMDENBOSS
ELECTRONICS & ENCLOSURES
JAMES CARTER RD, MILDENHALL, SUFFOLK. IP28 7DE
TEL: 01638 716101 FAX: 01638 716554
EMAIL: Sales@CamdenBoss.com
WEB: www.CamdenBoss.com

UNLESS OTHERWISE SPECIFIED:
DIMENSIONS ARE IN MILLIMETERS

DO NOT SCALE DRAWING

REVISION. 0

GENERAL TOLERANCES +/- 0.2

TITLE:

GNL ASSEMBLY DRG FOR
CDIC00001 INSTRUMENT CASE

FINISH.

MATERIAL.

VAR

DWG NO.

CDIC00001

A4

	NAME	SIGNED	DATE
DRAWN	IAN PAGANO	I.P.	18/02/13
CHKD	-	-	-

PROJECTION.



SCALE: 1 : 2

SHEET 1 OF 1