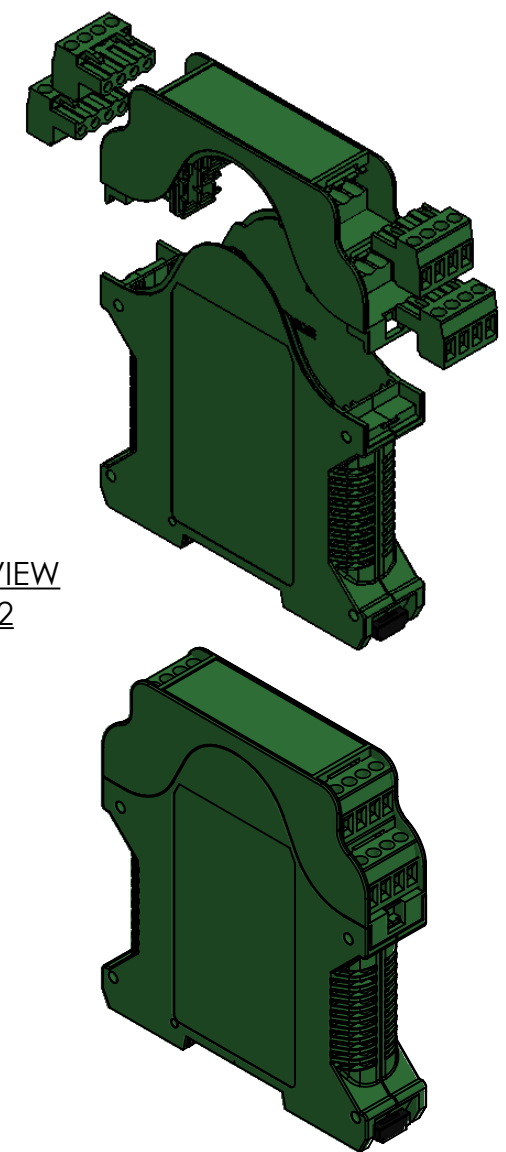


ISO VIEW
1:2



<p>CAMDENBOSS ELECTRONICS & ENCLOSURES</p> <p>JAMES CARTER RD, MILDENHALL, SUFFOLK. IP28 7DE TEL: 01638 716101 FAX: 01638 716554 EMAIL: Sales@CamdenBoss.com WEB: www.CamdenBoss.com</p>				UNLESS OTHERWISE SPECIFIED: DIMENSIONS ARE IN MILLIMETERS		DO NOT SCALE DRAWING		REVISION. <input type="checkbox"/>	
				GENERAL TOLERANCES +/- 0.2		TITLE: DIMENSION DRAWING FOR SOLID WALLED CVB-PLUS			
FINISH. LIGHT SPARK				MATERIAL. PA 66 UL 94 - V0		DWG NO. CVB-PLUS1V		A4	
DRAWN	IAN PAGANO	I.P.	19/02/15	PROJECTION.		SCALE: 1:2		SHEET 1 OF 2	
CHK'D	DAN SMALLEY	D.S.	19/02/15						

13.70 O/ALL

11.25

A

B

C

D

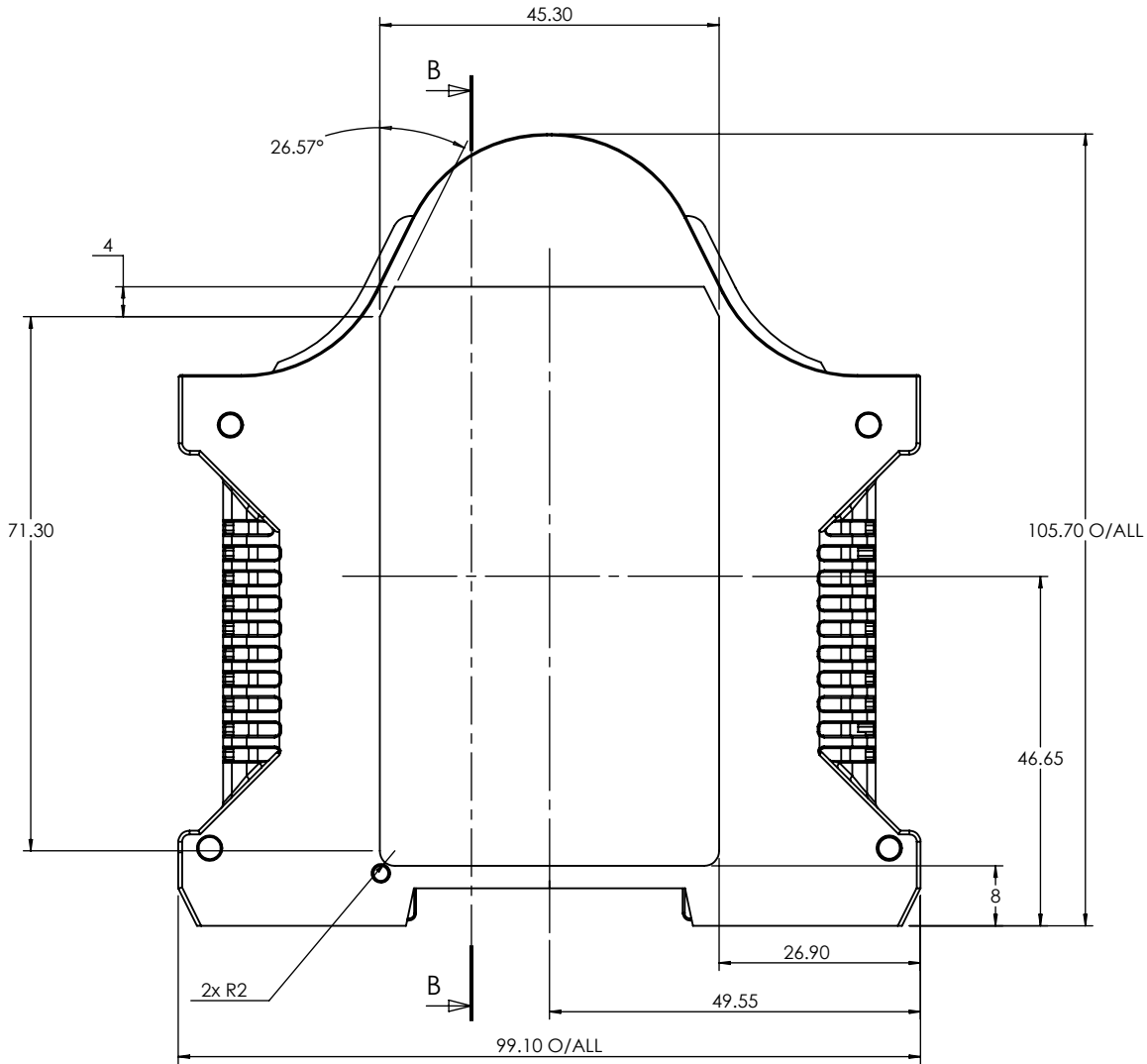
2

3

4

5

6



SECTION B-B
SCALE 1 : 1

CAMDENBOSS
ELECTRONICS & ENCLOSURES

JAMES CARTER RD, MILDENHALL, SUFFOLK. IP28 7DE
TEL: 01638 716101 FAX: 01638 716554
EMAIL: Sales@CamdenBoss.com
WEB: www.CamdenBoss.com

UNLESS OTHERWISE SPECIFIED:
DIMENSIONS ARE IN MILLIMETERS

GENERAL TOLERANCES +/- 0.2

FINISH.
LIGHT SPARK

MATERIAL.
PA 66 UL 94 - V0

PROJECTION.

DO NOT SCALE DRAWING

REVISION.

○

TITLE:
**DIMENSION DRAWING FOR SOLID
WALLED CVB-PLUS**

DWG NO.

CVB-PLUS1V

A4

	NAME	SIGNED	DATE
DRAWN	IAN PAGANO	I.P.	19/02/15
CHK'D	DAN SMALLEY	D.S.	19/02/15

SCALE: 1:2

SHEET 2 OF 2

1

2

3