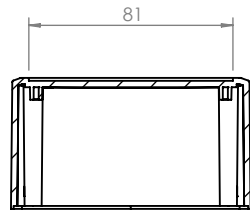


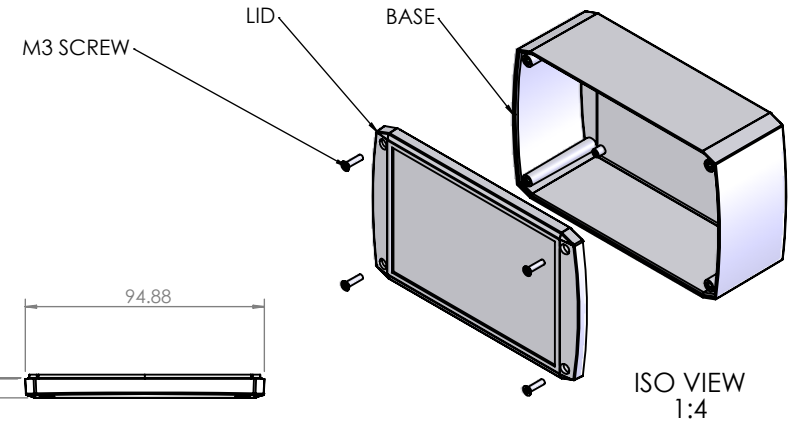
OVERALL ASSEMBLY DIMENSIONS:

EXTERNAL - 155 x 95 x 60

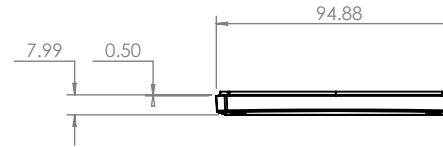
INTERNAL - 150 x 90 x 52.5



SECTION B-B



ISO VIEW 1:4



A

A

B

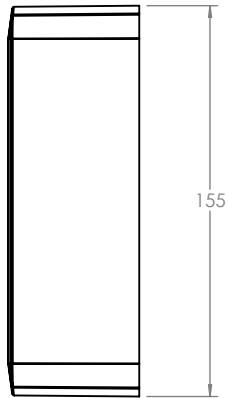
B

C

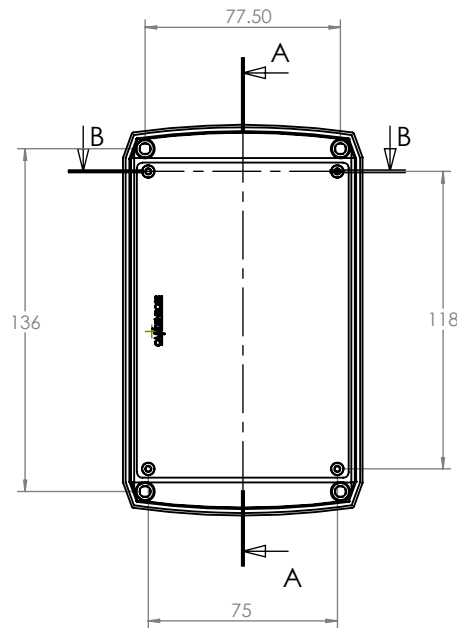
C

D

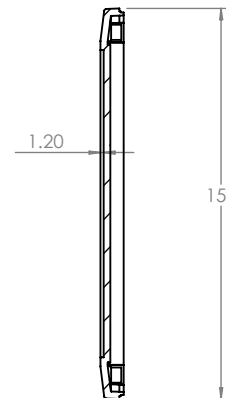
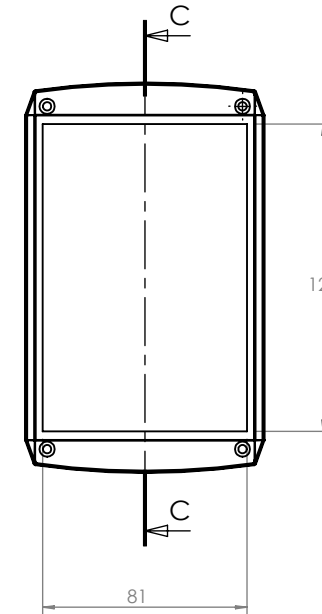
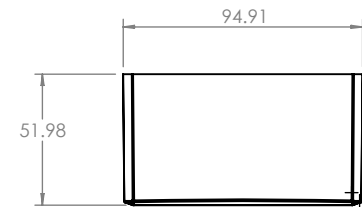
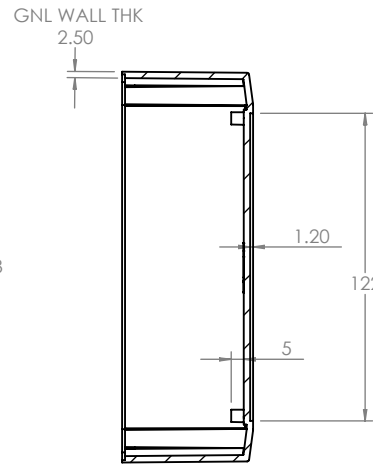
D



BASE



SECTION A-A



SECTION C-C

LID

		UNLESS OTHERWISE SPECIFIED: DIMENSIONS ARE IN MILLIMETERS		DO NOT SCALE DRAWING	REVISION. 0
		FINISH. SMOOTH		TITLE: GNL ASSEMBLY DRG FOR 1101 SERIES - CSACT004	
JAMES CARTER RD, MILDENHALL, SUFFOLK. IP28 7DE TEL: 01638 716101 FAX: 01638 716554 EMAIL: Sales@CamdenBoss.com WEB: www.CamdenBoss.com		MATERIAL. ABS & POLYCARBONATE	DWG NO. CSACTT004	A4	
DRAWN	IAN PAGANO	SIGNED	I.P.	DATE	06/07/13
CHKD	-	-	-	-	-
PROJECTION.			SCALE. 1 : 3	SHEET 1 OF 1	