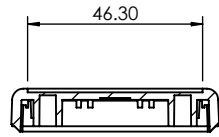


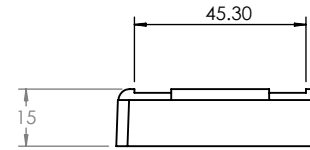
OVERALL ASSEMBLY DIMENSIONS :

EXTERNAL - 90 x 55 x 25

INTERNAL - 85 x 50 x 23.5



SECTION C-C



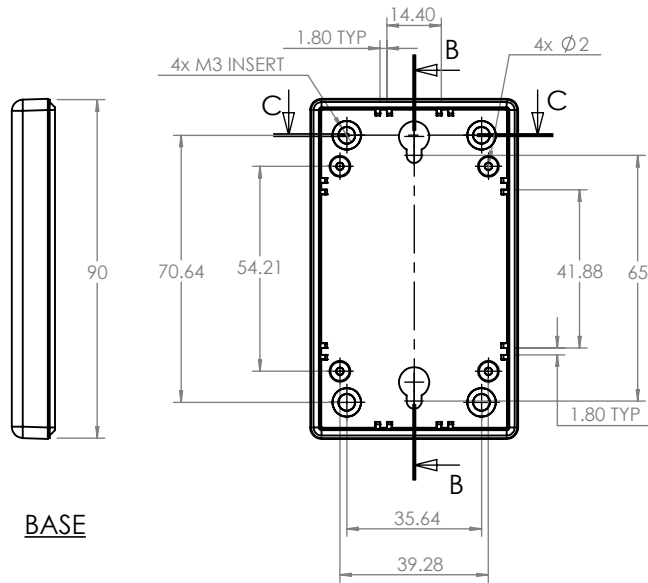
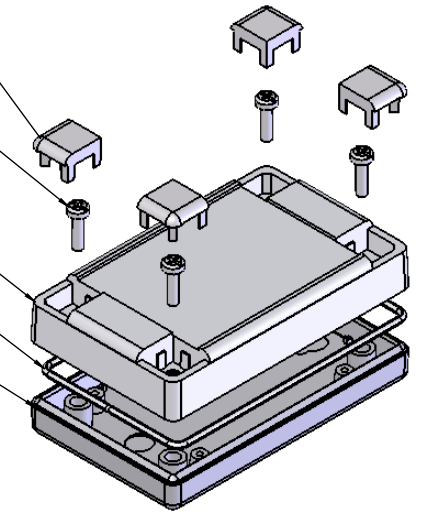
CORNER/SCREW CAP

M3 SCREW

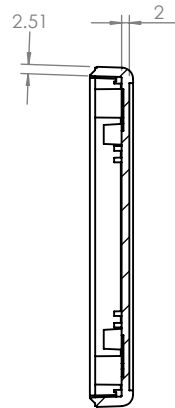
LID

GASKET

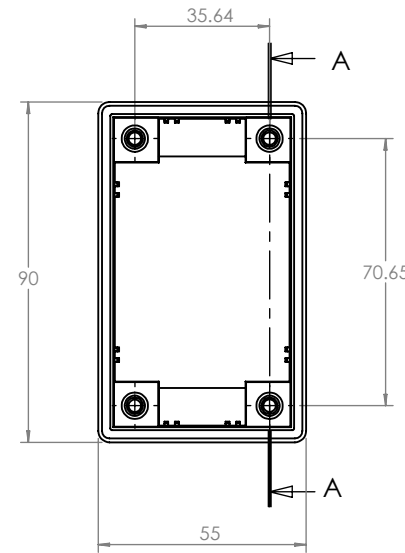
BASE



BASE

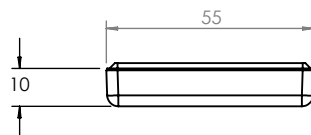


SECTION B-B



SECTION A-A

LID



CAMDENBOSS
ELECTRONICS & ENCLOSURES

JAMES CARTER RD, MILDENHALL, SUFFOLK. IP28 7DE
TEL: 01638 716101 FAX: 01638 716554
EMAIL: Sales@CamdenBoss.com
WEB: www.CamdenBoss.com

UNLESS OTHERWISE SPECIFIED:
DIMENSIONS ARE IN MILLIMETERS

GENERAL TOLERANCES +/- 0.2

FINISH:
LIGHT SPARK

MATERIAL:
HB ABS

PROJECTION:

DO NOT SCALE DRAWING

REVISION:

TITLE: ASSEMBLY DRG FOR RECESS DESIGNER CASE SIZE 1 GREY

DWG NO. CRDCGG001

A4

SCALE: 1:2

SHEET 1 OF 1

	NAME	SIGNED	DATE
DRAWN	IAN PAGANO	I.P.	24/09/13
CHKD	-	-	-