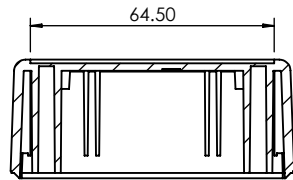


OVERALL ASSEMBLY DIMENSIONS:

EXTERNAL - 127 x 75 x 45

INTERNAL - 122 x 70 x 38.5



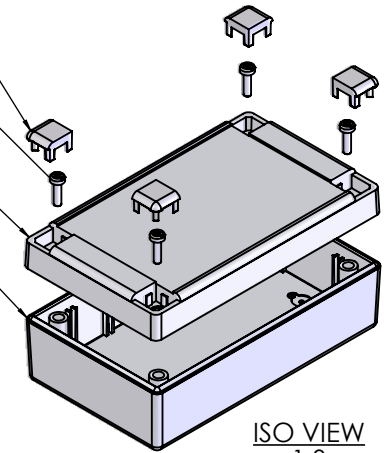
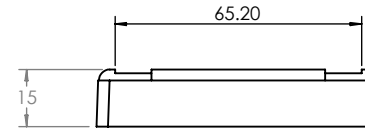
SECTION C-C

CORNER/SCREW CAP

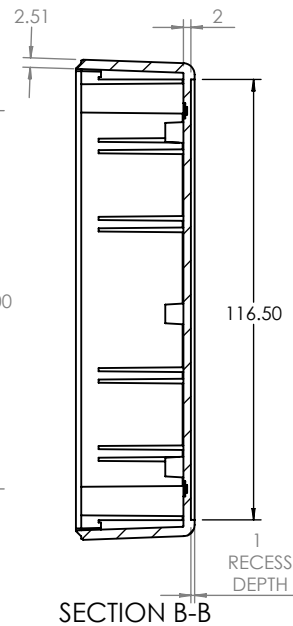
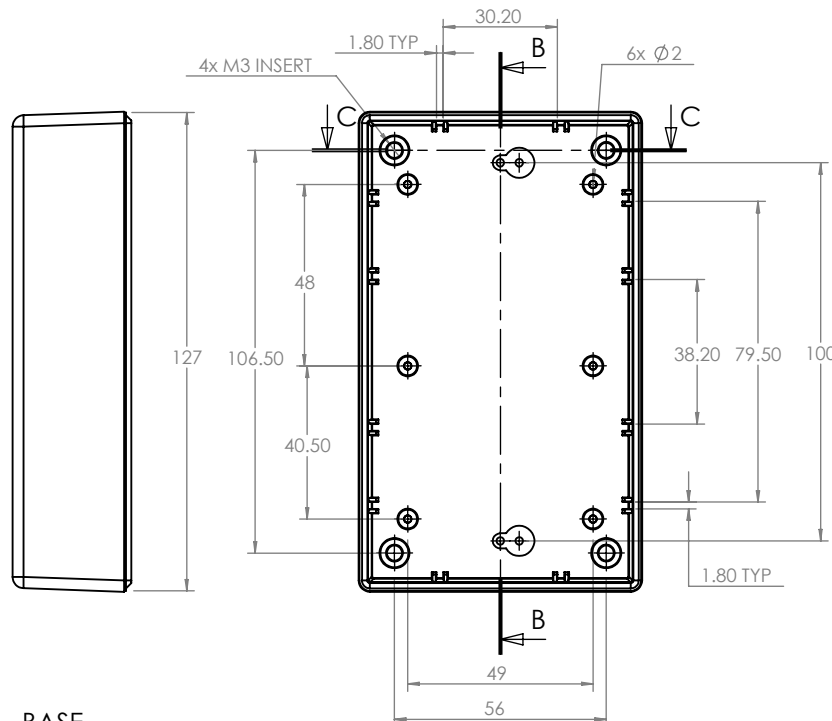
M3 SCREW

LID

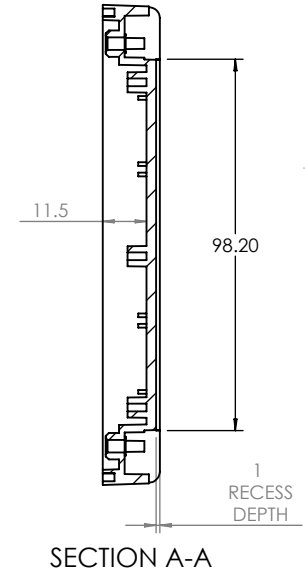
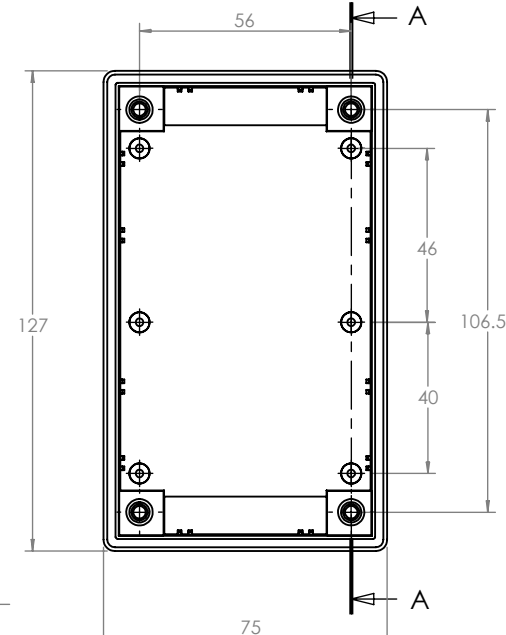
BASE



ISO VIEW
1:3

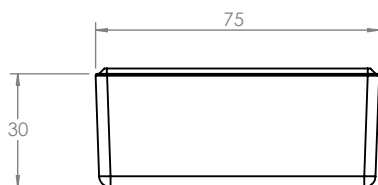


SECTION B-B



SECTION A-A

LID



<p>CAMDENBOSS ELECTRONICS & ENCLOSURES</p> <p>JAMES CARTER RD, MILDENHALL, SUFFOLK. IP28 7DE TEL: 01638 716101 FAX: 01638 716554 EMAIL: Sales@CamdenBoss.com WEB: www.CamdenBoss.com</p>				UNLESS OTHERWISE SPECIFIED: DIMENSIONS ARE IN MILLIMETERS		DO NOT SCALE DRAWING		REVISION: ○	
				GENERAL TOLERANCES +/- 0.2		TITLE: ASSEMBLY DRG FOR RECESS DESIGNER CASE SIZE 5 GREY			
FINISH: LIGHT SPARK				MATERIAL: UL - 94 HB ABS		DWG NO. CRDCG0005		A4	
DRAWN: IAN PAGANO		SIGNED: I.P.		DATE: 24/06/13		SCALE: 1:2		SHEET 1 OF 1	
CHKD: -		-		-		PROJECTION:			