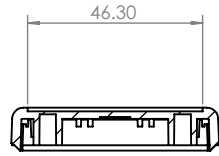


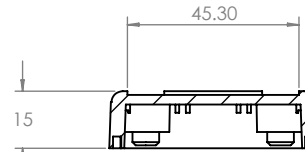
OVERALL ASSEMBLY DIMESIONS :

EXTERNAL - 90 x 55 x 25

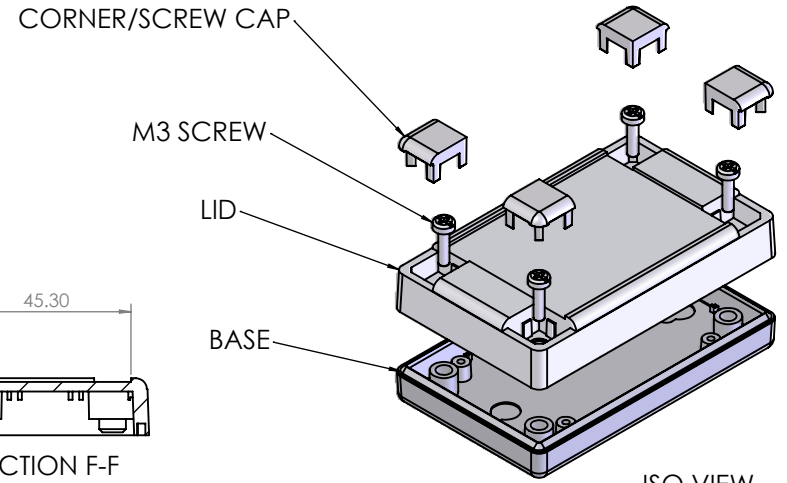
INTERNAL - 85 x 50 x 23.5



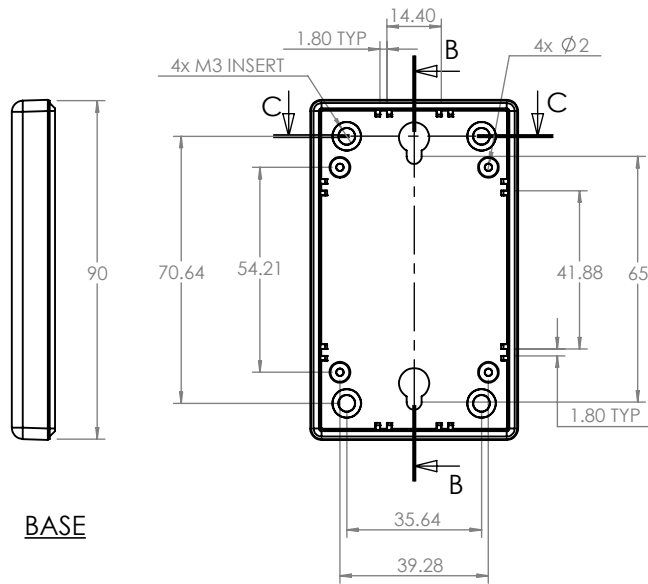
SECTION C-C



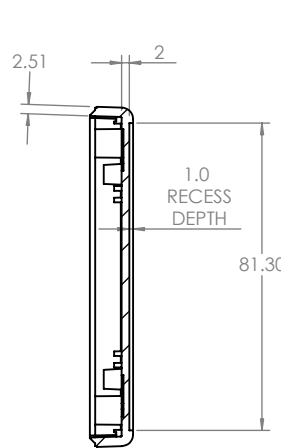
SECTION F-F



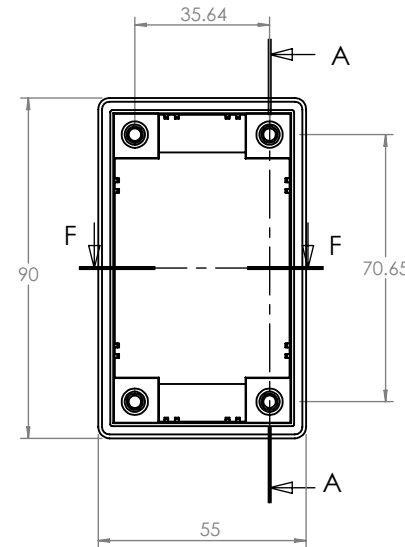
ISO VIEW



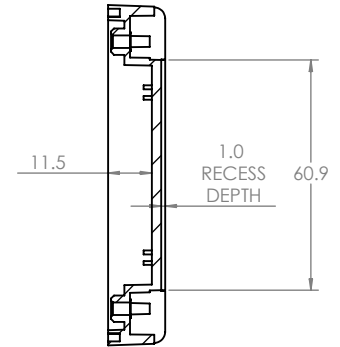
BASE



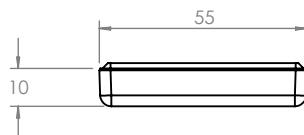
SECTION B-B



SECTION A-A



LID



CAMDENBOSS
ELECTRONICS & ENCLOSURES
JAMES CARTER RD, MILDENHALL, SUFFOLK. IP28 7DE
TEL: 01638 716101 FAX: 01638 716554
EMAIL: Sales@CamdenBoss.com
WEB: www.CamdenBoss.com

UNLESS OTHERWISE SPECIFIED:
DIMENSIONS ARE IN MILLIMETERS

GENERAL TOLERANCES +/- 0.2

FINISH.
LIGHT SPARK

MATERIAL.
ABS HB

PROJECTION.

DO NOT SCALE DRAWING

REVISION.

TITLE: ASSEMBLY DRG FOR RECESS DESIGNER CASE SIZE 1 GREY

DWG NO. CRDCG0001

A4

| | NAME | SIGNED | DATE |
|-------|------------|--------|----------|
| DRAWN | IAN PAGANO | I.P. | 24/09/13 |
| CHKD | - | - | - |

SCALE: 1:2

SHEET 1 OF 1