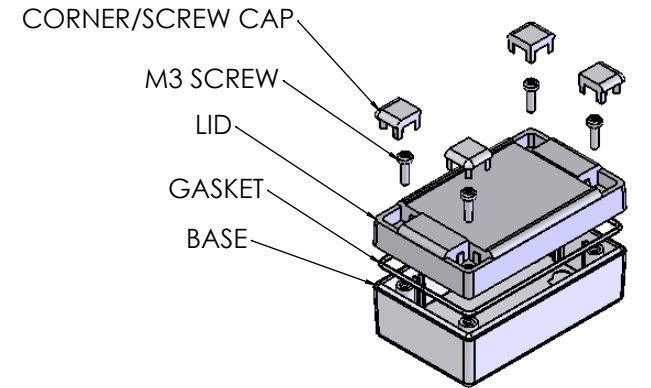


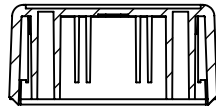
OVERALL ASSEMBLY DIMENSIONS:

EXTRENAL - 90 x 55 x 40

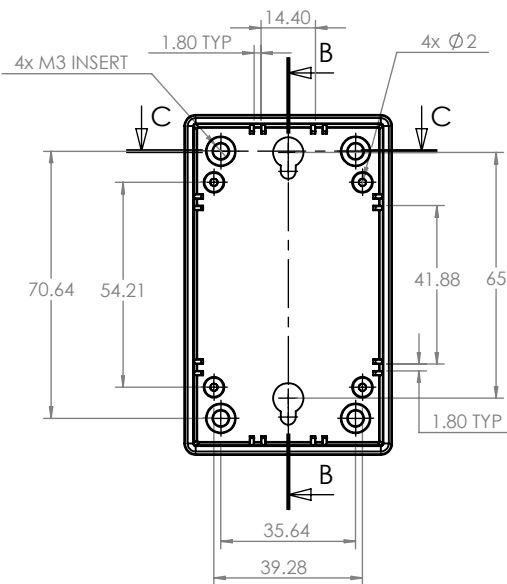
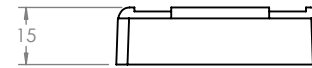
INTERNAL - 85 x 50 x 33.5



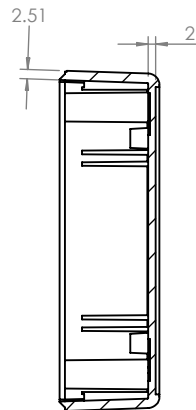
ISO VIEW
1:3



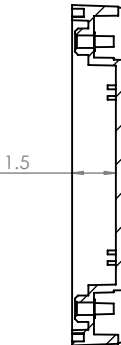
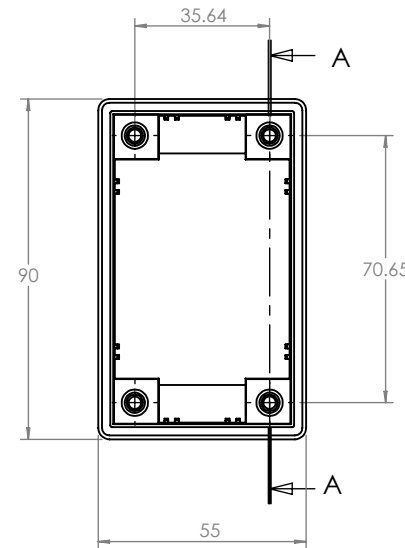
SECTION C-C



BASE

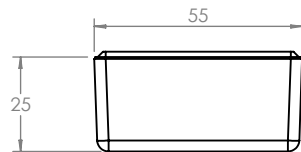


SECTION B-B



SECTION A-A

LID



CAMDENBOSS
ELECTRONICS & ENCLOSURES

JAMES CARTER RD, MILDENHALL, SUFFOLK. IP28 7DE
TEL: 01638 716101 FAX: 01638 716554
EMAIL: Sales@CamdenBoss.com
WEB: www.CamdenBoss.com

UNLESS OTHERWISE SPECIFIED:
DIMENSIONS ARE IN MILLIMETERS

GENERAL TOLERANCES +/- 0.2

FINISH. LIGHT SPARK

MATERIAL. UL - 94 HB ABS

DO NOT SCALE DRAWING

REVISION.

TITLE: ASSEMBLY DRG FOR RECESS DESIGNER CASE SIZE 2 GREY

DWG NO. CRDCERG02

A4

	NAME	SIGNED	DATE
DRAWN	LEWIS LETCHFORD	LL	15/04/2014
CHK'D	-	-	-

PROJECTION.

SCALE. 1:2

SHEET 1 OF 1